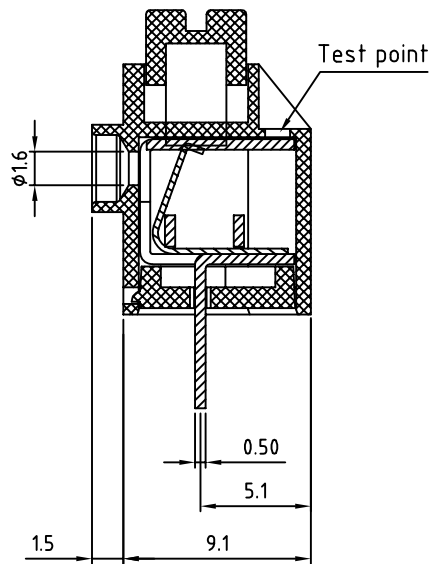
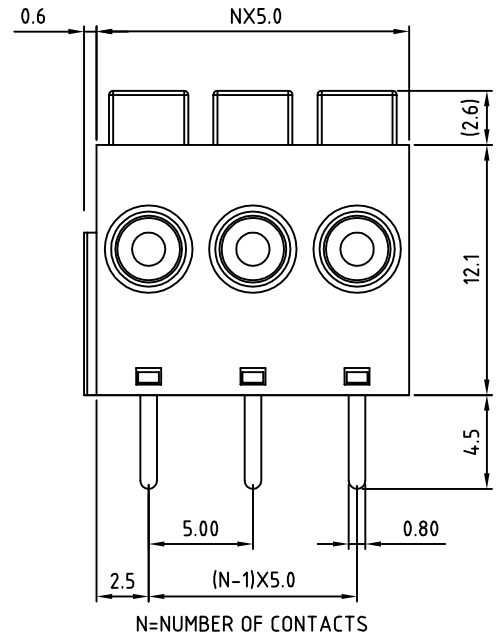
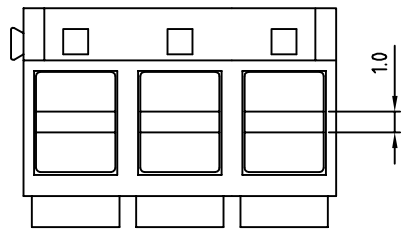


SIGN	DATE	DESCRIPTION	APPROVER
		<i>THIS IS CAD DRAWING, DO NOT REVISE MANUALLY!!!</i>	



- Material**
- Terminal body (Contact pin): Brass
 - Wire guard: Stainless steel
 - Surface of solder tail: Tin plated
 - Insulator (housing): Thermoplastic (UL94V-0)

- Electrical cULus**
- Voltage rating: 300VAC
 - Current rating: 7A
 - Wire range:
 - Solid wire(AWG): 18-22
 - Stranded wire(AWG):
 - Wire strip length: 7-7.5mm
 - Withstanding Voltage: 1.6KV
 - Operating temperature: -30°C to +105°C
 - Soldering temperature: 250°C±10°C/5 Sec
 - Safety Approval: US

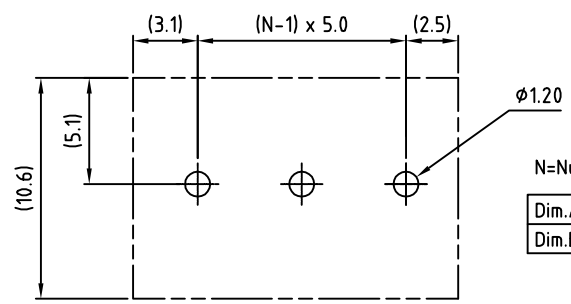
RoHS Compliant

PART NUMBER:

OSTHYXX0080

- No. of Poles
 - 02 2 Poles
 - 03 3 Poles
 -
 - 24 24 Poles
- COLOR
 - 8: Grey body + white lever

P.C.B. LAYOUT



N=Number of poles	Dim.A	(N-1)x5.0
	Dim.B	(N-1)x5.0

Poles	Tol
2p-8p	±0.20
9p-16p	±0.30
17p-24p	±0.40

THESE DRAWINGS AND SPECIFICATIONS ARE THE PROPERTY OF ON-SHORE TECHNOLOGY, INC. AND SHALL NOT BE REPRODUCED, COPIED OR USED IN ANY MANNER WITHOUT THE PRIOR WRITTEN CONSENT OF ON-SHORE TECHNOLOGY, INC.



TITLE		OSTHY 5.0mm Series			
PART NO.	OSTHYXX0080	DWG NO.	OSTHYXX0080.DWG		
APPROVED	CHECKED	DESIGNED	DRAWN	CUST NO.	Tolerance
Shi jun 2006.11.07	Shi jun 2006.11.07	Steady 2006.10.6	Steady 2006.10.6		X. ±0.50 X.X ±0.30 X.XX ±0.10 X° ±1°
				UNIT: mm	
				SCALE: NONE	
				SHEET: 01/01	REV: D