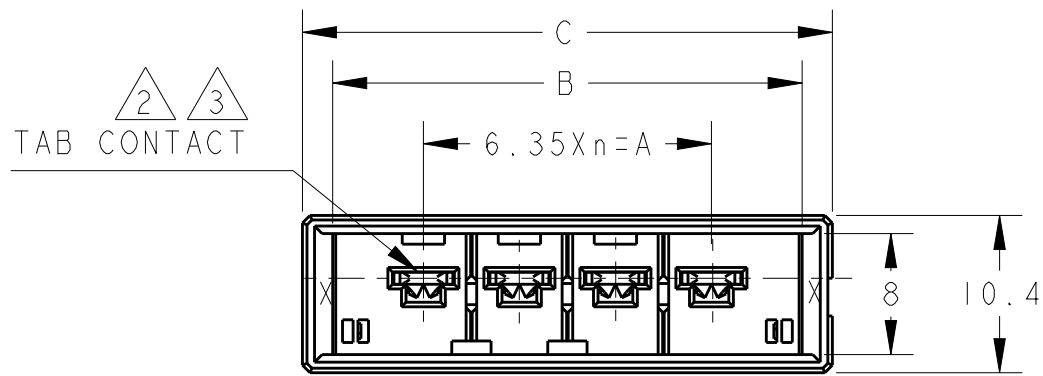
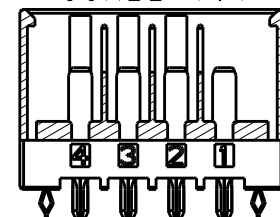


P	LTR	DESCRIPTION	DATE	DWN	APVD
	B	REVISED PER ECR-19-011328	18JUL2019	K.T	E.1

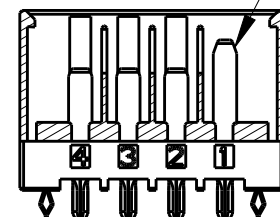


KEY LOCATION VIEW

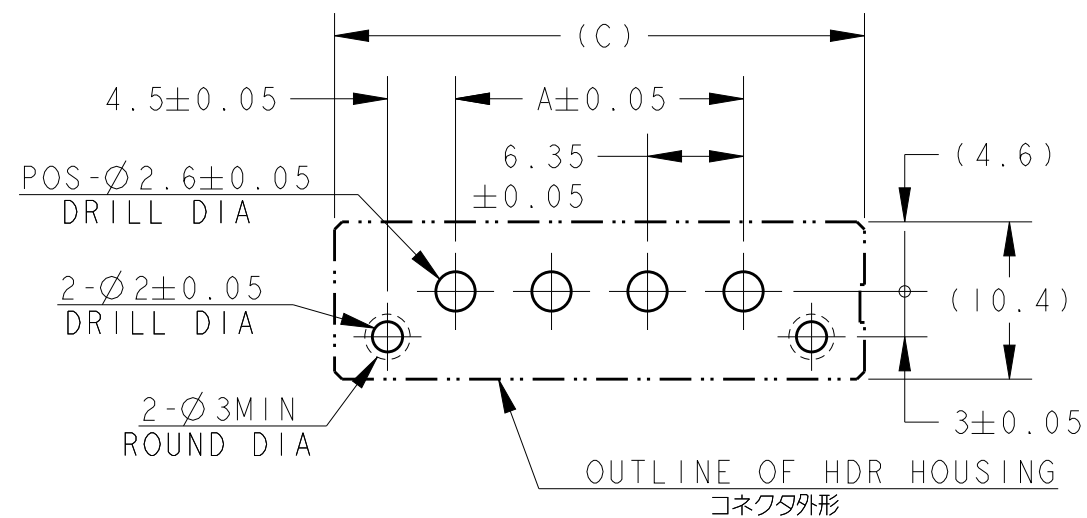
SCALE 1:1



1-1747277-□
2-1747277-□
SEQUENTIAL CONTACT
: ONLY CIRCUIT NO.1

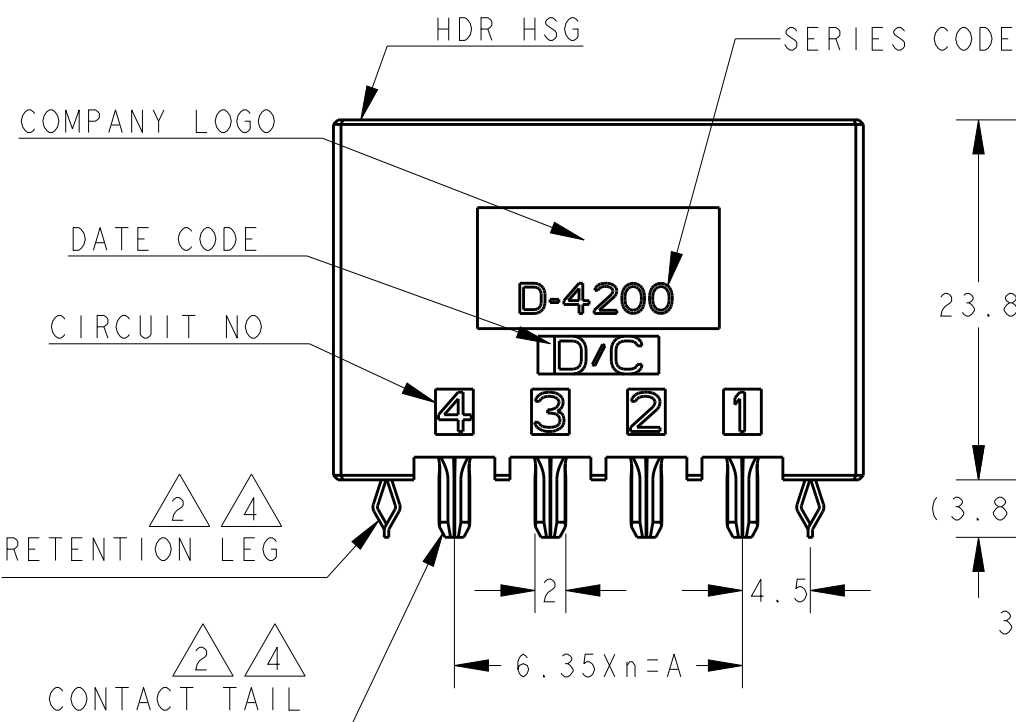


5-1747277-□
6-1747277-□
SEQUENTIAL ITEM



推奨基板取付穴寸法: コネクタ搭載面 (非累積公差)
PC基板厚: 1.6~2.4±0.1

RECOMMEND PC BOARD HOLE PATTERN
: CONNECTOR MOUNT SIDE (NOT ACCUMULATE TOLERANCE)
PC BOARD THICKNESS : 1.6~2.4±0.1



1. MATERIAL: HOUSING: GLASS FILLED THERMO PLASTIC
POLYESTER (94V-0), COLOR: BLACK
CONTACT: COPPER ALLOY
RETENTION LEG: COPPER ALLOY

- △2. FINISH (ALL OVER): NICKEL PL. 1.3μm MIN
- △3. FINISH (CONTACT AREA): GOLD PL. 0.38μm MIN AFTER △2
- △4. FINISH (CONTACT TAIL & RETENTION LEG)
: TIN PL. 2μm MIN AFTER △2

AS SHOWN: 1-1747277-4 (4POS: X-KEY)

4	3		35.05	31.05	19.05	Y	2-1747277-4 6-1747277-4
4	3		35.05	31.05	19.05	X	1-1747277-4 5-1747277-4
3	2		28.70	24.70	12.70	Y	2-1747277-3 6-1747277-3
3	2		28.70	24.70	12.70	X	1-1747277-3 5-1747277-3
2	1		22.35	18.35	6.35	Y	2-1747277-2
2	1		22.35	18.35	6.35	X	1-1747277-2
POS	n	KEY LOCATION	C	B	A	KEY	PART NUMBER

THIS DRAWING IS A CONTROLLED DOCUMENT.

DIMENSIONS:	TOLERANCES UNLESS OTHERWISE SPECIFIED:
単位: 概 mm	一般公差 ±0.3, ±3°
	0 PLC ±
	1 PLC ±0.5
	2 PLC ±0.13
	3 PLC ±0.013
	4 PLC ±0.0001
	ANGLES ±
MATERIAL 材料	FINISH 仕上
material_2	finish_spec_2

DWN	T. KUDO	02JUL2004
CHK	D. MITSUGI	02JUL2004
APVD	D. MITSUGI	02JUL2004
PRODUCT SPEC	108-78182	
APPLICATION SPEC	114-5369	
WEIGHT	-	
CUSTOMER DRAWING		



NAME 名称 DYNAMIC D4200S 6.35mm PITCH HDR ASSY (V-TYPE) 2-4POS			
SIZE	CAGE CODE	DRAWING NO	RESTRICTED TO
A3	00779	C-1747277	
SCALE 尺度 2:1		SHEET 1 OF 1	REV B