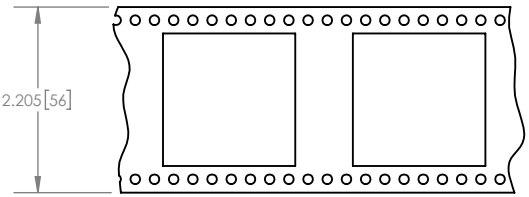
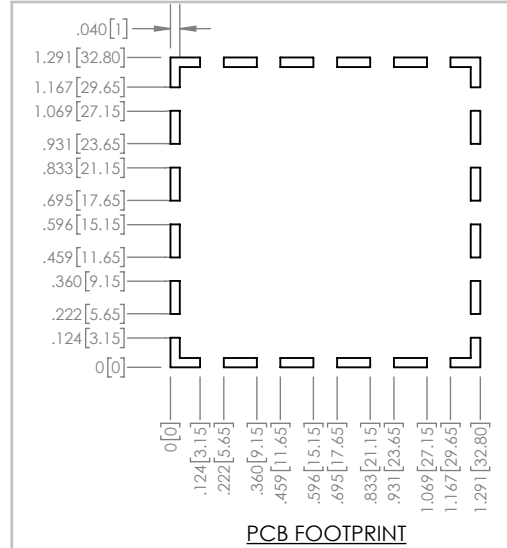
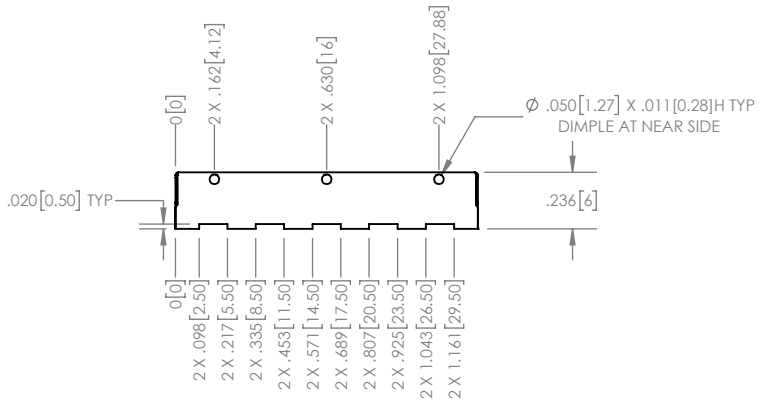
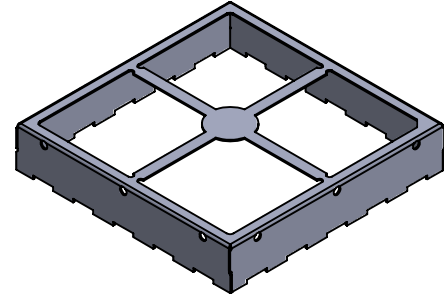
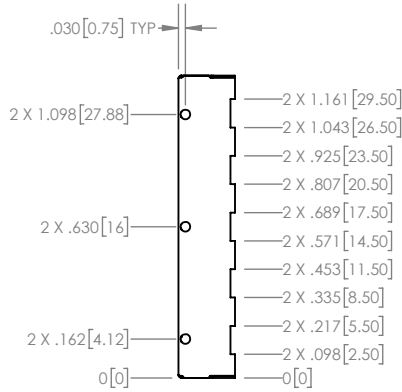
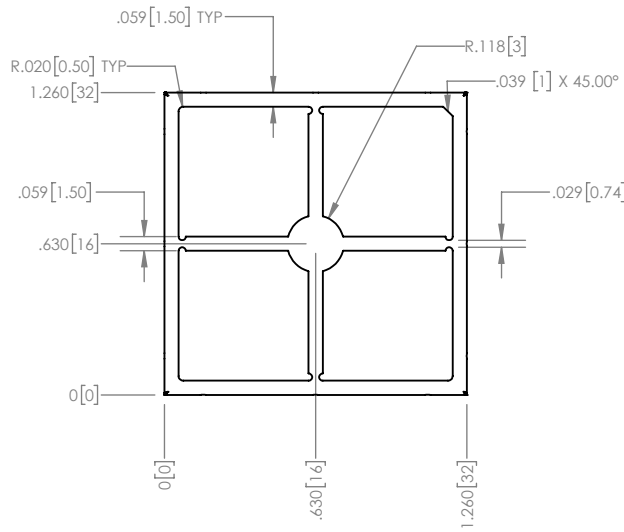


NOTES:

1. MATERIAL: 0.008" TIN PLATED STEEL PER ASTM A623/A624
2. PARTS PER REEL: 180



UNLESS OTHERWISE SPECIFIED  
U/M INCHES TOLERANCE ±0.005

PROPRIETARY NOTICE: THESE DRAWINGS, LISTS OR SPECIFICATIONS ARE THE CONFIDENTIAL INFORMATION AND/OR TRADE SECRETS OF 3G SHIELDING SPECIALTIES (P), AND SHALL REMAIN STRICTLY CONFIDENTIAL EXCEPT AS AUTHORIZED BY 3G SHIELDING SPECIALTIES IN WRITING. THESE DRAWINGS, LISTS OR SPECIFICATIONS SHALL NOT BE REPRODUCED, TRANSMITTED, SENT FOR PUBLICATION, MANUFACTURE OR SALE OF EQUIPMENT OR USED FOR ANY OTHER PURPOSES WITHOUT THE WRITTEN EVALUATION.

ROHS COMPLIANCE 2011/65/EU

DATE 15-12-10

3G SHIELDING SPECIALTIES

PART NUMBER	REV.
PIC-S-204F	0
DESCRIPTION	SHEET
SHIELD FRAME	1 OF 1
SCALE	
1.25:1	