



2.92mm Female Field Replaceable Connector  
2 Hole Flange Mount 0.009 inch Pin, .400 inch  
Hole Spacing with Metal Contact Ring

RF Connectors  
Technical Data Sheet

PE45606

**Configuration**

- 2.92mm Female Connector
- Straight Body Geometry
- Connector Interface Types: 0.009 inch Pin
- 2 Hole Flange

**Features**

- Max. Operating Frequency 40 GHz
- Excellent VSWR of 1.2:1
- Gold Plated Beryllium Copper Contact
- Metal Contact Ring

**Applications**

- General Purpose Test
- Rack and Panel Mount Applications
- Used in Product Requiring Hermetic Seals
- Allows for Replacement of Damaged Connectors

**Description**

Pasternack's PE45606 2.92mm female 2 hole flange mount field replaceable connector is part of our full line of RF components available for same-day shipping. Our 2.92mm female connector operates up to a maximum frequency of 40 GHz and offers excellent VSWR of 1.2:1. This 2.92mm 2 hole flange connector allows designers to create external connections on their product enclosures, and can be used in a variety of other rack mount and panel mount applications. This field replaceable connector is easy to install or replace in the field.

Our 2.92mm female 2 hole flange connector PE45606 datasheet specifications and drawing with dimensions are shown below in this PDF. Pasternack's broad catalog of RF, microwave and millimeter wave connectors allows designers to configure and customize their signal connections however they like. Whether the need is to provide an I/O for a board design, or simply create a custom cable assembly configuration, Pasternack has the right connector for the job. Pasternack can also expertly build your custom cable assemblies for you and ship same-day.

**Electrical Specifications**

Description	Minimum	Typical	Maximum	Units
Frequency Range	DC		40	GHz
VSWR			1.2:1	

**Mechanical Specifications**

Size	
Length	0.372 in [9.45 mm]
Width/Dia.	0.25 in [6.35 mm]
Height	0.55 in [13.97 mm]
Weight	0.001 lbs [0.45 g]
Mating Cycles	500 Cycles

Click the following link (or enter part number in "SEARCH" on website) to obtain additional part information including price, inventory and certifications: [2.92mm Female Field Replaceable Connector 2 Hole Flange Mount 0.009 inch Pin, .400 inch Hole Spacing with Metal Contact Ring PE45606](#)



2.92mm Female Field Replaceable Connector  
 2 Hole Flange Mount 0.009 inch Pin, .400 inch  
 Hole Spacing with Metal Contact Ring

RF Connectors  
 Technical Data Sheet

PE45606

**Material Specifications**

Description	Material	Plating
Contact	Beryllium Copper	Gold
Insulation	PEI	
Outer Conductor	Passivated Stainless Steel	
Body	Passivated Stainless Steel	

**Environmental Specifications**

**Temperature**

Operating Range -40 to +165 deg C

**Compliance Certifications** (see [product page](#) for current document)

**Plotted and Other Data**

Notes:

2.92mm Female Field Replaceable Connector 2 Hole Flange Mount 0.009 inch Pin, .400 inch Hole Spacing with Metal Contact Ring from Pasternack Enterprises has same day shipment for domestic and International orders. Our RF, microwave and millimeter wave products maintain a 99.4% availability and are part of the broadest selection in the industry.

Click the following link (or enter part number in "SEARCH" on website) to obtain additional part information including price, inventory and certifications: [2.92mm Female Field Replaceable Connector 2 Hole Flange Mount 0.009 inch Pin, .400 inch Hole Spacing with Metal Contact Ring PE45606](#)

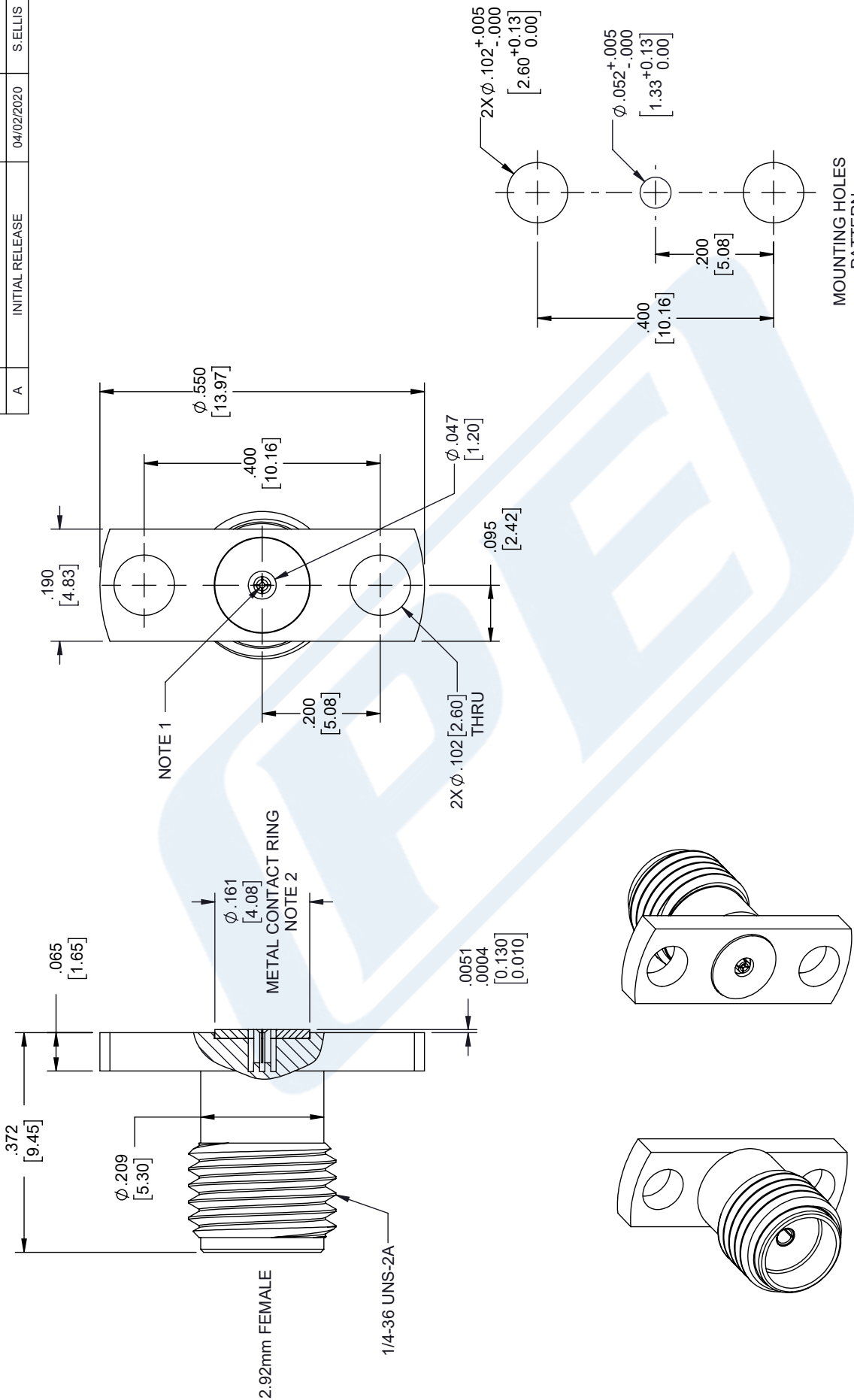
URL: <https://www.pasternack.com/2.92mm-female-0.009-pin-connector-pe45606-p.aspx>

The information contained in this document is accurate to the best of our knowledge and representative of the part described herein. It may be necessary to make modifications to the part and/or the documentation of the part, in order to implement improvements. Pasternack reserves the right to make such changes as required. Unless otherwise stated, all specifications are nominal. Pasternack does not make any representation or warranty regarding the suitability of the part described herein for any particular purpose, and Pasternack does not assume any liability arising out of the use of any part or documentation.

# PE45606 CAD Drawing

2.92mm Female Field Replaceable Connector 2 Hole Flange Mount  
0.009 inch Pin, .400 inch Hole Spacing with Metal Contact Ring

REVISIONS			
REV.	DESCRIPTION	DATE	APPROVED
A	INITIAL RELEASE	04/02/2020	S. ELLIS



**THIRD-ANGLE PROJECTION**  
 THE INFORMATION AND DESIGN IN THIS DOCUMENT IS THE PROPERTY OF PASTERNAK CORPORATION ALL RIGHTS RESERVED.

**PE PASTERNAK**  
 an INFINITI brand

Pasternack Enterprises, Inc.  
 P. O. Box 16759, Irvine, CA 92623.  
 Phone: 1.949.261.1920 | 1.866.727.8376  
 Fax: 1.949.261.7451  
 Website: www.pasternack.com  
 E-mail: sales@pasternack.com

SCALE: N/A  
 SHEET 1 OF 1

SIZE: A  
 CAGE CODE: 53919  
 DRAWN BY: DZINN  
 ITEM NO.: PE45606  
 REV: A

UNLESS OTHERWISE SPECIFIED LEADING DIMENSIONS ARE INCHES DIMENSIONS IN [ ] ARE MILLIMETERS

TOLERANCES:  
 .X = ±.2 [5.08] FRACTIONS ± 1/32  
 .XX = ±.02 [ .51] ANGLES ± 1°  
 .XXX = ±.005 [ .13] CABLE LENGTH (L), TOLERANCES:  
 L ≤ 12 [305] = +1 [25] / -0  
 12 [305] < L ≤ 60 [1524] = +2 [51] / -0  
 60 [1524] < L ≤ 120 [3048] = +4 [102] / -0  
 120 [3048] < L ≤ 300 [7620] = +6 [152] / -0  
 300 [7620] < L = +5% / -0

ALL DIMENSIONS SHOWN ARE FOR REFERENCE ONLY.

- NOTES:
1. FEMALE CONTACT ACCEPTS PIN SIZE  $\phi .009$  [0.23]  $\nabla .071$  [1.80] MAX.
  2. SEPARATE METAL CONTACT RING.

THESE COMMODITIES, TECHNOLOGY OR SOFTWARE WERE EXPORTED FROM THE UNITED STATES IN ACCORDANCE WITH THE EXPORT ADMINISTRATION REGULATIONS, DIVERSION CONTRARY TO U.S. LAW PROHIBITED.