

4

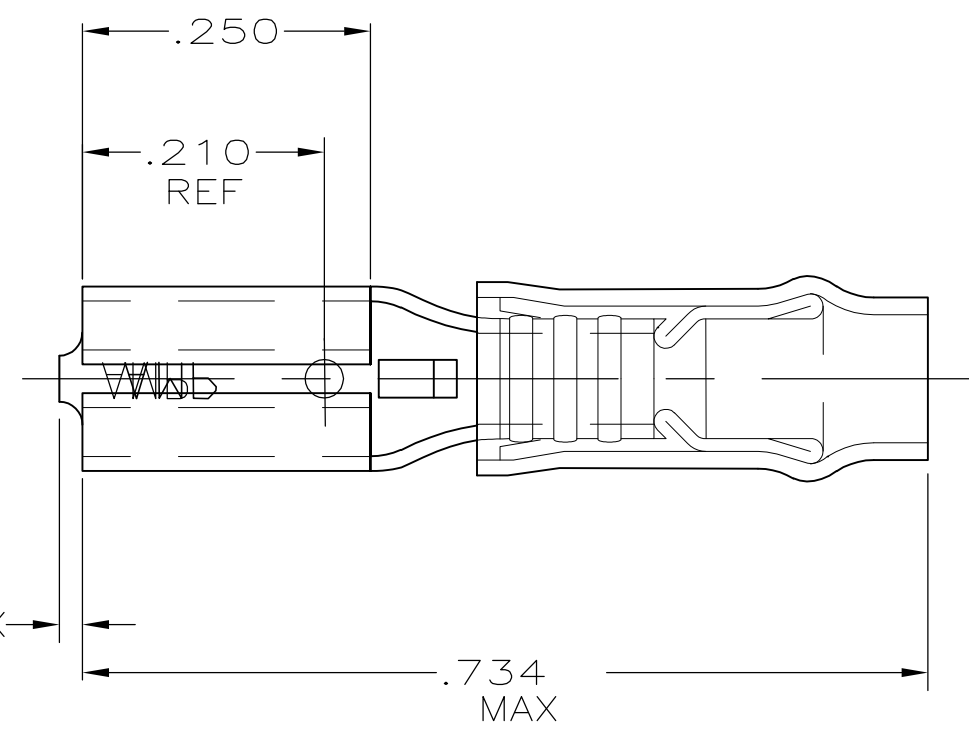
3

2

1

THIS DRAWING IS UNPUBLISHED. RELEASED FOR PUBLICATION
 © COPYRIGHT - By - ALL RIGHTS RESERVED.

LOC	DIST	REVISIONS					
		P	LTR	DESCRIPTION	DATE	DWN	APVD
G	14		F1	REVISED PER ECO-11-004917	11MAR11	RK	HMR



- 1. INSULATION DIA .100 MAX
- 2. TAB THK .033 MAX

QTY	PACKAGE TYPE	PART NO
5	LOOSE PC,BLS	8-60894-4
100	LOOSE PC,BOX	8-60894-1
-	TAPE MOUNTED	60894-2
-	LOOSE PIECE	60894-1

**AMP INCORPORATED
 CUSTOMER SERVICE SYSTEM**

FOR ADDITIONAL PRODUCT INFORMATION OR COPIES OF DRAWINGS AND TECHNICAL DOCUMENTS
 PRODUCT INFORMATION CENTER
 1-800-522-6752

FOR APPLICATION TOOLING INFORMATION
 TOOLING ASSISTANCE CENTER
 1-800-722-1111

FOR ORDER ENTRY
 1-800-526-5142

MAX RECOMMENDED OPERATING TEMPERATURE:
 -

VOLTAGE RATING:
 -

CIRCULAR MIL AREA:
 -

THIS DRAWING IS A CONTROLLED DOCUMENT.

DIMENSIONS: INCHES

TOLERANCES UNLESS OTHERWISE SPECIFIED:
 0 PLC ± -
 1 PLC ± -
 2 PLC ± .015
 3 PLC ± -
 4 PLC ± -
 ANGLES ± -

MATERIAL: BODY,BRASS .012 SLV,NYLON,COLOR,CLEAR

FINISH: BODY,PRE-TIN

DWN L OLMEDA 13NOV95
 CHK M ELLIS 13NOV95
 APVD B BARE 13NOV95
 PRODUCT SPEC -
 APPLICATION SPEC -
 WEIGHT -

STE TE Connectivity

RECEPTACLE, 110 SERIES,
 FASTON™, PIDG™,
 WIRE SIZE, 22-18 AWG

SIZE: A3 CAGE CODE: 00779 DRAWING NO: C-60894 RESTRICTED TO: -

CUSTOMER DRAWING SCALE: NTS SHEET: 1 OF 1 REV: F1