

CABLE 348 RF: RF CABLE ASSEMBLY, I-PEX MHF + SMA BULKHEAD JACK + 1.13MM CABLE - 6GHz

SPECIFICATIONS:

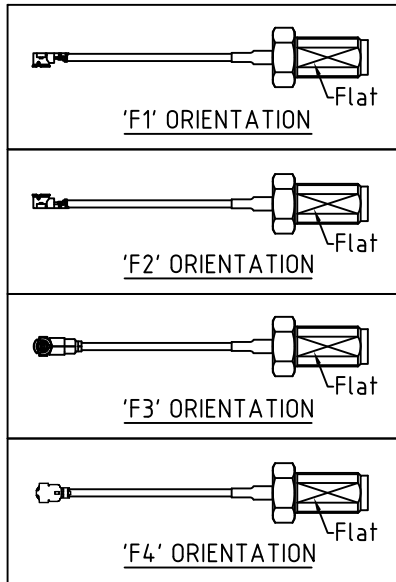
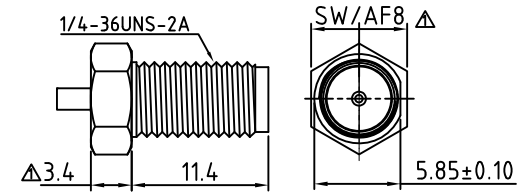
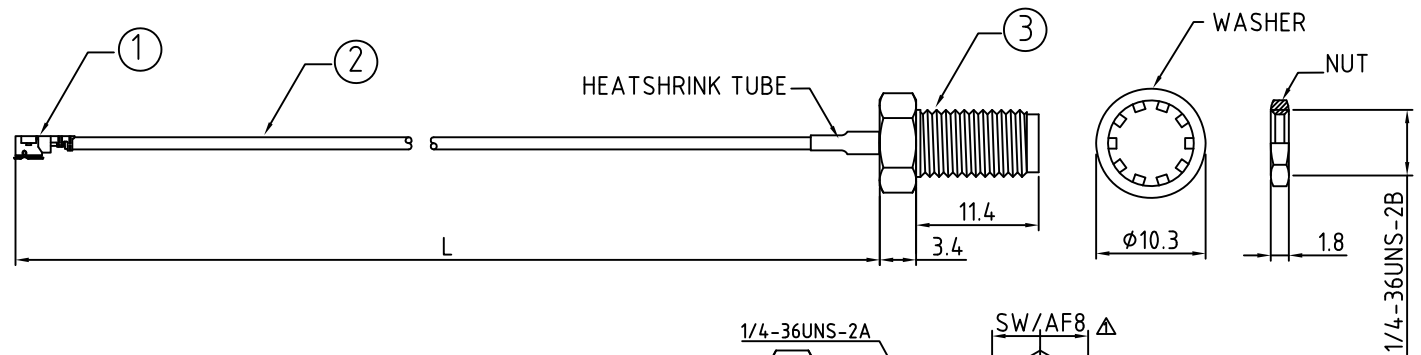
1. IPEX MHF PLUG, P/N: 20278-112R-13.
2. ϕ 1.13MM COAXIAL CABLE, COLOR: GRAY.
3. SMA STRAIGHT BULKHEAD JACK, GOLD PLATED, P/N: RFCT-SMA059-F13.△

NOTES:

1. THE ORIENTATION OF CONNECTORS ON DRAWING IS FOR REFERENCE ONLY, IF THE ORDER IS LEFT BLANK THE CONNECTOR WILL NOT HAVE FIXED ORIENTATION.
2. FIXED ORIENTATION IS SUGGESTED FOR CABLE LENGTH 25MM TO 100MM. PLEASE SPECIFY THE FIXED ORIENTATIONS FROM THE ORDER CODE (F1, F2, ETC)
3. CONTACT GRAD CONN IF THE ORIENTATION YOU REQUIRE IS NOT SHOWN.
4. WORKING FREQUENCY RANGE: DC-6GHz
5. OPERATING TEMPERATURE: -40°C TO +85°C
6. IMPEDANCE: 50 OHM
7. VSWR: 1.5 MAX.

USAGE PRECAUTIONS: CABLES USING 'MICRO' COAX ARE DELICATE:

- (i) HANDLE WITH CARE.
- (ii) DO NOT TWIST; APPLY EXCESSIVE FORCES OR SHARP BENDS TO THE CABLE. DO NOT FORCEFULLY DEFORM WIRES.
- (iii) CONSULT CONNECTOR MANUFACTURER'S DATASHEETS FOR DETAILED NOTES ON HANDLING INSTRUCTIONS.



HOW TO ORDER

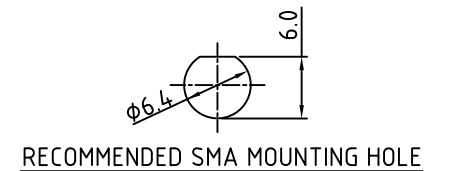
CABLE 348 RF - XXX - XX - X - 1

"L" LENGTH IN MM
 eg: 100MM = 100
 (MIN. 025-MAX.400)
 STANDARD = 100, 150, 200)
 Tolerance: <50mm : ±3mm.
 51-200mm: ±5mm.
 201-400mm: ±7mm.

CABLE SIZE OPTIONS:
 1 = ϕ 1.13MM CABLE, COLOR: GRAY.

WASHER AND NUT OPTIONS:
 BLANK = SEPERATELY PACKED (STANDARD)
 A = ASSEMBLED WITH CONNECTOR

ORIENTATION OPTIONS:
 BLANK = DOES NOT HAVE A FIXED ORIENTATION
 F1 = MHF CONNECTION DOWN (L=25-200MM)
 F2 = MHF CONNECTION UP (L=25-200MM)
 F3 = MHF CONNECTION AND D FLAT SAME ORIENTATION (L=25-200MM)
 F4 = MHF CONNECTION AND D FLAT OPPOSITE ORIENTATION (L=25-200MM)
 (SEE NOTES 1, 2, 3 AND DIAGRAMS FOR MORE INFORMATION)



REV. DATE & DRN	1.0 03/07/09 - NYW RELEASE
	1.1 07/17/09 - NYW
	1.2 11/06/20 - NYW
	1.3 08/07/20 - NYW
	1.4 05/17/22 - CC
	1.5 11/05/21 - NYW
	1.6 05/17/22 - CC
	1.7 05/17/22 - CC
	1.8 05/17/22 - CC
	1.9 05/17/22 - CC
	2.0 05/17/22 - CC
	2.1 05/17/22 - CC
	2.2 05/17/22 - CC
	2.3 05/17/22 - CC
	2.4 05/17/22 - CC
	2.5 05/17/22 - CC
	2.6 05/17/22 - CC
	2.7 05/17/22 - CC
	2.8 05/17/22 - CC
	2.9 05/17/22 - CC
	3.0 05/17/22 - CC
	3.1 05/17/22 - CC
	3.2 05/17/22 - CC
	3.3 05/17/22 - CC
	3.4 05/17/22 - CC
	3.5 05/17/22 - CC
	3.6 05/17/22 - CC
	3.7 05/17/22 - CC
	3.8 05/17/22 - CC
	3.9 05/17/22 - CC
	4.0 05/17/22 - CC
	4.1 05/17/22 - CC
	4.2 05/17/22 - CC
	4.3 05/17/22 - CC
	4.4 05/17/22 - CC
	4.5 05/17/22 - CC
	4.6 05/17/22 - CC
	4.7 05/17/22 - CC
	4.8 05/17/22 - CC
	4.9 05/17/22 - CC
	5.0 05/17/22 - CC

Scale: NTS	THIRD ANGLE	Unstated .X .XX	Tolerances: ±0.5 ±0.2	Material SEE NOTE
Drawn: CC		ANGLES	±5	
App'd: XXX	Title CABLE ASSEMBLY	NOT TO SCALE		
Date: 25 NOV '22	Revision: 1.6	Unit: mm		

www.gradconn.com

THIS DRAWING IS CONFIDENTIAL AND MUST NOT BE COPIED OR DISCLOSED WITHOUT WRITTEN CONSENT

Type: Cable 348 RF
CABLE 348 RF
Drawing Number:
Sheet 1 of 1
Drawing © E and O E