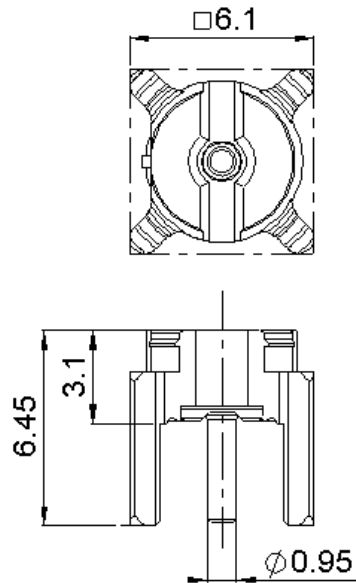


**STRAIGHT JACK RECEPTACLE FOR PCB**

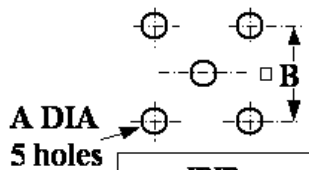
**R223.425.000**

**SOLDER LEGS**

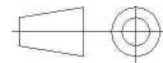
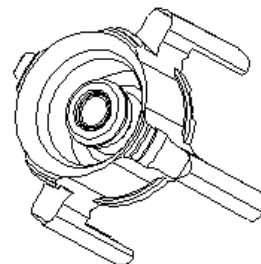
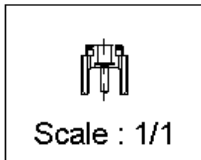
Series : MMBX



**PANEL CUT OUT**



	mm	
	Maxi	mini
<b>A</b>	1.4	1.2
<b>B</b>	5.16	5



All dimensions are in mm.

COMPONENTS	MATERIALS	PLATING (µm)
BODY	BRASS	NPGR
CENTER CONTACT	BRASS	NPGR
OUTER CONTACT		-
INSULATOR	LIQUID CRYSTAL POLYMER	
GASKET		
OTHERS PARTS		
-	-	-
-	-	-



Issue : 0735 B

In the effort to improve our products, we reserve the right to make changes judged to be necessary.



**STRAIGHT JACK RECEPTACLE FOR PCB**

**R223.425.000**

**SOLDER LEGS**

Series : MMBX

**PACKAGING**

**SPECIFICATION**

Standard	Unit	Other
<b>100</b>	<b>'W' option</b>	<b>Contact us</b>

**ELECTRICAL CHARACTERISTICS**

**ENVIRONMENTAL**

Impedance	<b>50</b>	$\Omega$
Frequency	<b>0-12.4</b>	GHz
VSWR	<b>1.065 + 0,0000</b>	x F(GHz) Maxi
Insertion loss	<b>0.12</b>	$\sqrt{F}(\text{GHz})$ dB Maxi
RF leakage	- ( <b>100</b> )	- F(GHz)) dB Maxi
Voltage rating	<b>330</b>	Veff Maxi
Dielectric withstanding voltage	<b>1000</b>	Veff mini
Insulation resistance	<b>1000</b>	M $\Omega$ mini

Operating temperature	<b>-55/+155</b>	$^{\circ}\text{C}$
Hermetic seal	<b>NA</b>	Atm.cm3/s
Panel leakage	<b>NA</b>	

**OTHER CHARACTERISTICS**

Assembly instruction **NA**

Others :  
to 6 GHz  
Interface MMBX only up to 2.5GHz  
PCB to PCB -45dB up to 2.5 GHz

Mated pair height 6.7mm

**MECHANICAL CHARACTERISTICS**

Center contact retention		
Axial force – Mating end	<b>10</b>	N mini
Axial force – Opposite end	<b>10</b>	N mini
Torque	<b>NA</b>	N.cm mini
Recommended torque		
Mating	<b>NA</b>	N.cm
Panel nut	<b>NA</b>	N.cm
Mating life	<b>100</b>	Cycles mini
Weight	<b>0,3840</b>	g

Issue : 0735 B

In the effort to improve our products, we reserve the right to make changes judged to be necessary.



STRAIGHT JACK RECEPTACLE FOR PCB

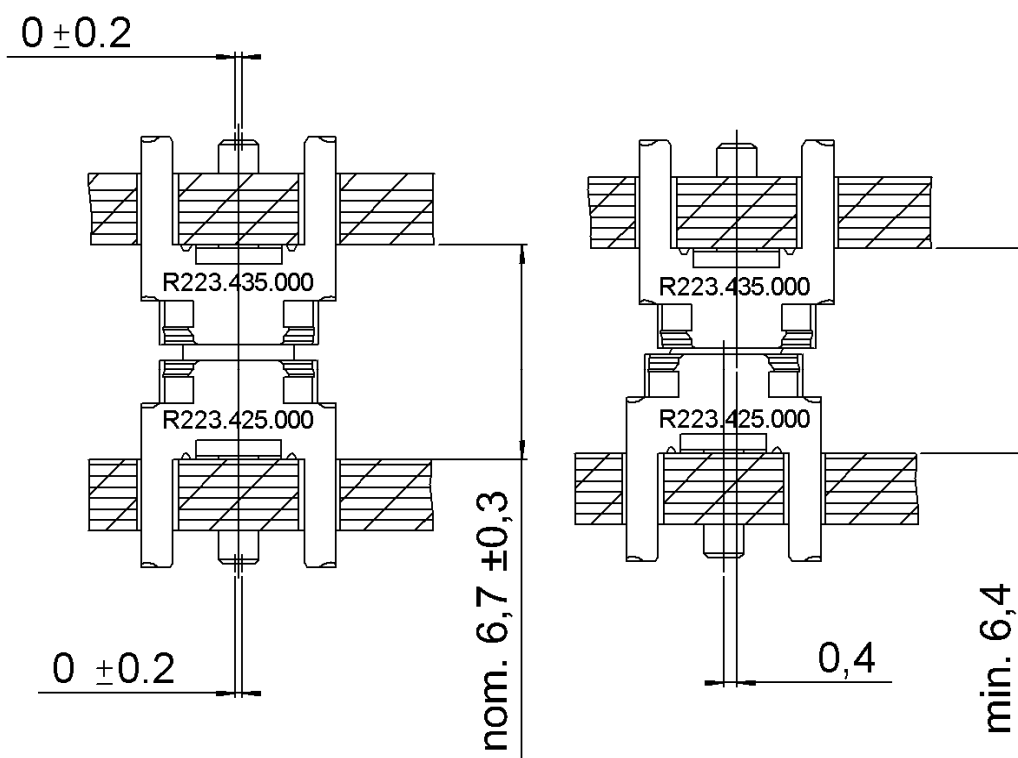
**R223.425.000**

SOLDER LEGS

Series : MMBX

# MMBX SERIES INFORMATIONS

## PCB



Issue : 0735 B

In the effort to improve our products, we reserve the right to make changes judged to be necessary.

