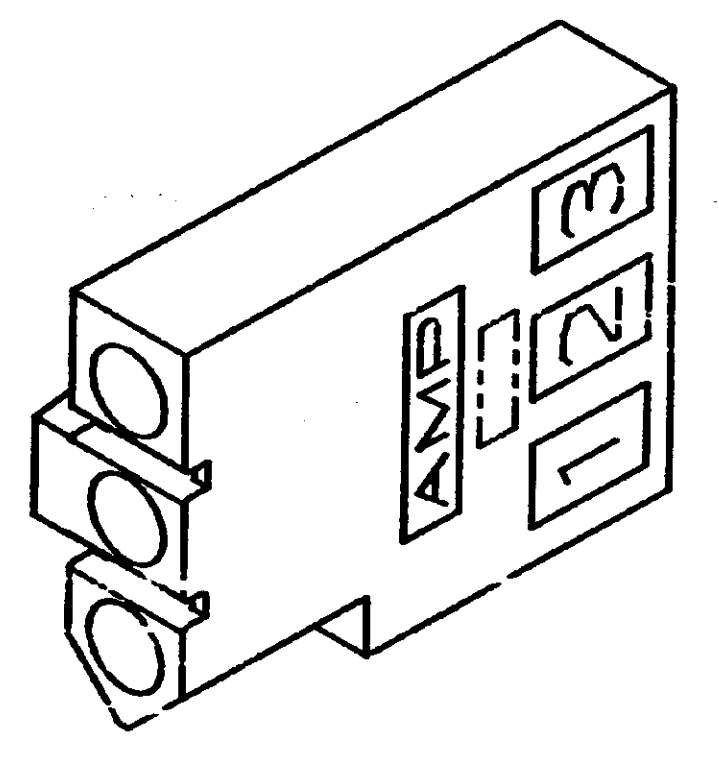
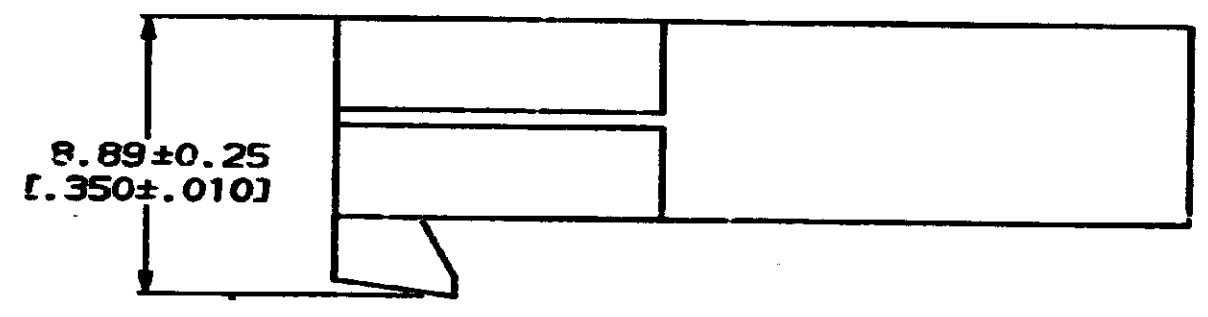
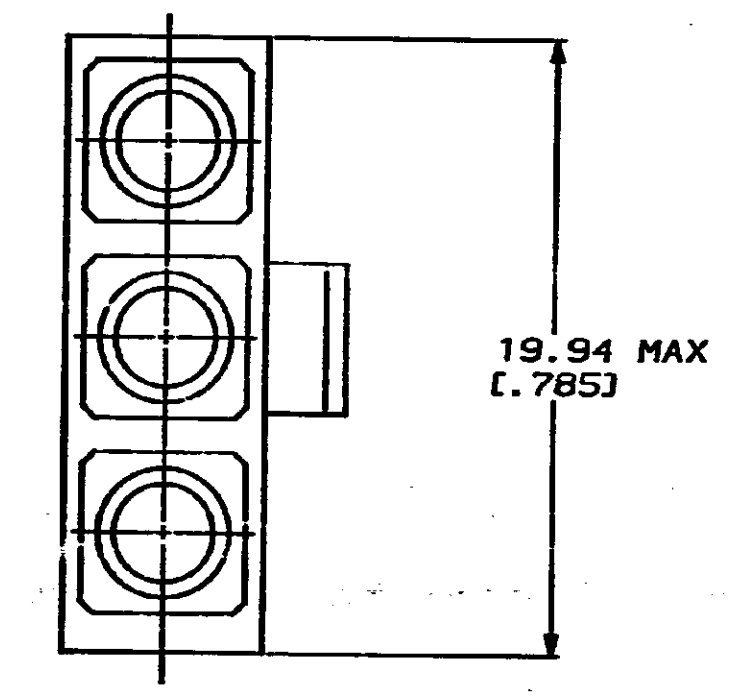
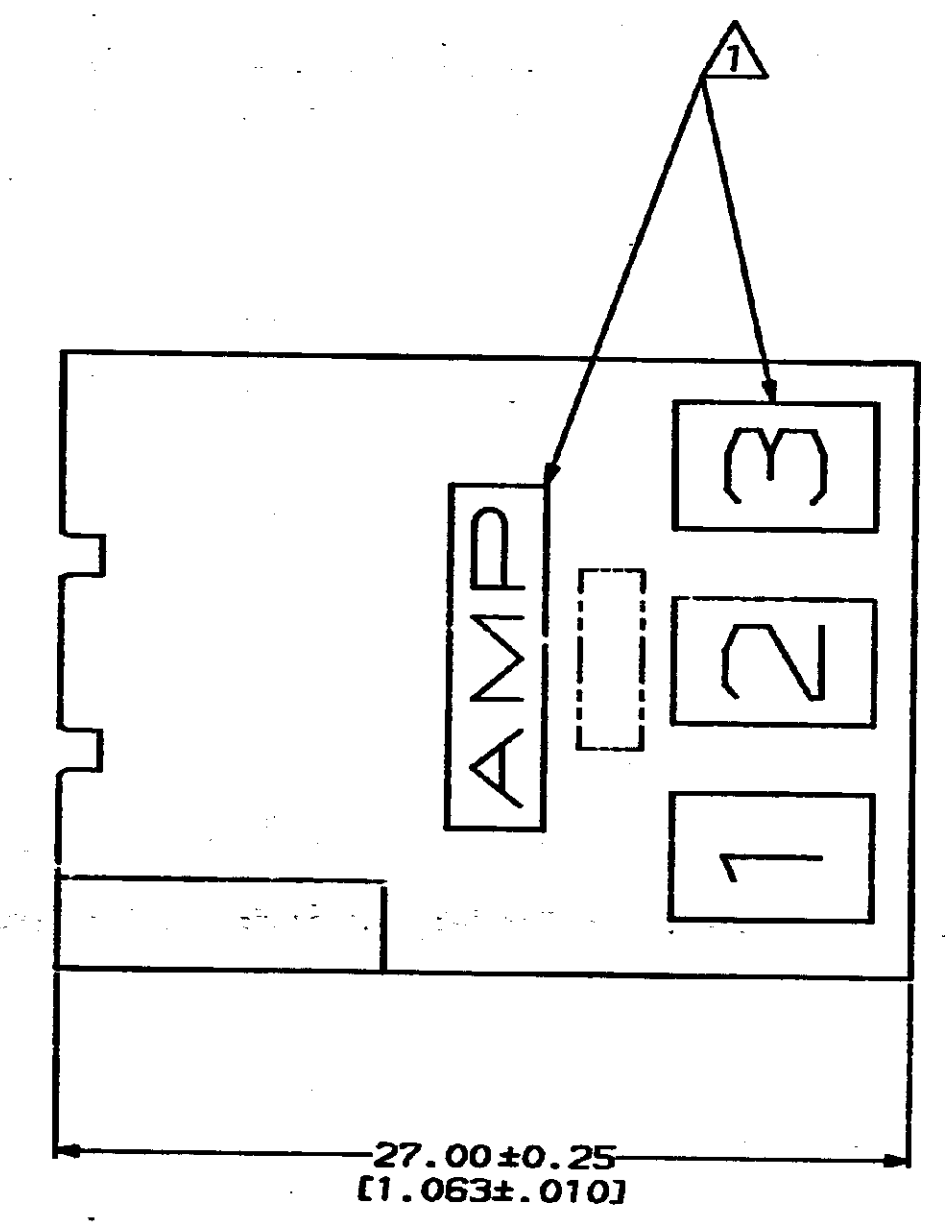
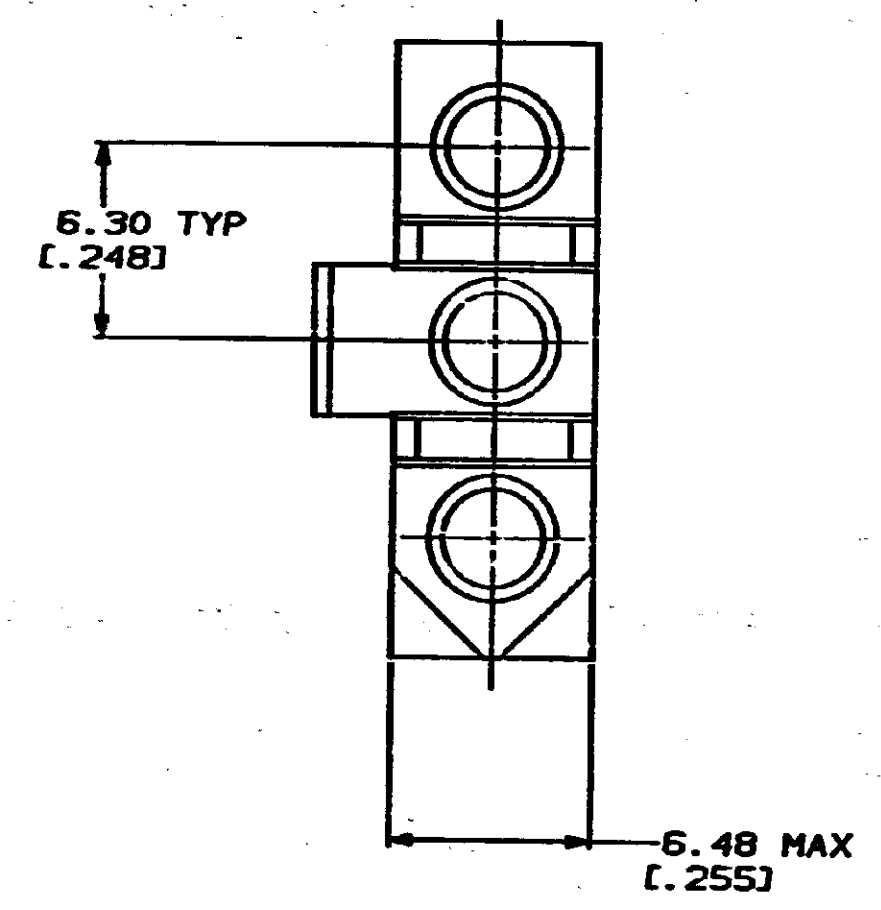


REVISIONS				DATE	APPD
CM	53		D	REV PER ECN CH-3673	3-12-92



3 DIMENSIONAL MODEL
 NTS

△ AMP LOGO AND CIRCUIT NUMBERS LOCATED IN THIS AREA, EITHER SIDE.
 2. DIMENSIONS IN BRACKETS ARE IN INCHES.

METRIC

DO NOT SCALE PRINT. UNLESS SPECIFIED DIMENSIONS IN INCHES TOLERANCES ON + 2 PLC DEC ± 3 PLC DEC ± 0.12 ± 0.50 ANGLES ± ORTHERAL		DR E. WHITAKER 11-5-90 CHK R. SILING 11-5-90 APPD R. CARSON 11-6-90 APPD PRODUCT SPEC APPLICATION SPEC WEIGHT	770785-1 PART NO AMP AMP Incorporated Harrisburg, PA 17105-3608 NAME RECPTACLE, POSITIVE LOCK, 3 CIRCUIT, COMMERCIAL PIN AND SOCKET SIZE D CAGE CODE 00779 SCALE 5:1
NYLON, UL 94V-2 NATURAL		DRAWING NO 770785 SHEET 1 OF 1	CUSTOMER DRAWING