



**ANATECH ELECTRONICS INC**  
RF & Microwave Filters & Products

# 4100 MHz Ceramic Bandpass Filter

**Part Number: AE4100CB1776**



## Electrical specifications

**Center Frequency:** 4100 MHz  
**1dB Bandwidth:** 100 MHz Min.  
**Insertion Loss(BW):** 4.0 dB Max  
**Return Loss(BW) :** 12dB Min. (Goal 14dB)  
**Passband Ripple:** 1.0 dB Max  
**Rejection1:** 60 dB Min at 3800 MHz  
**Rejection2:** 40 dB Min at 3950 MHz  
**Rejection3:** 40 dB Min at 4250 MHz  
**Rejection4:** 50 dB Min at 4400-7500 MHz  
**Input / Output Impedance:** 50 Ohms

## Mechanical

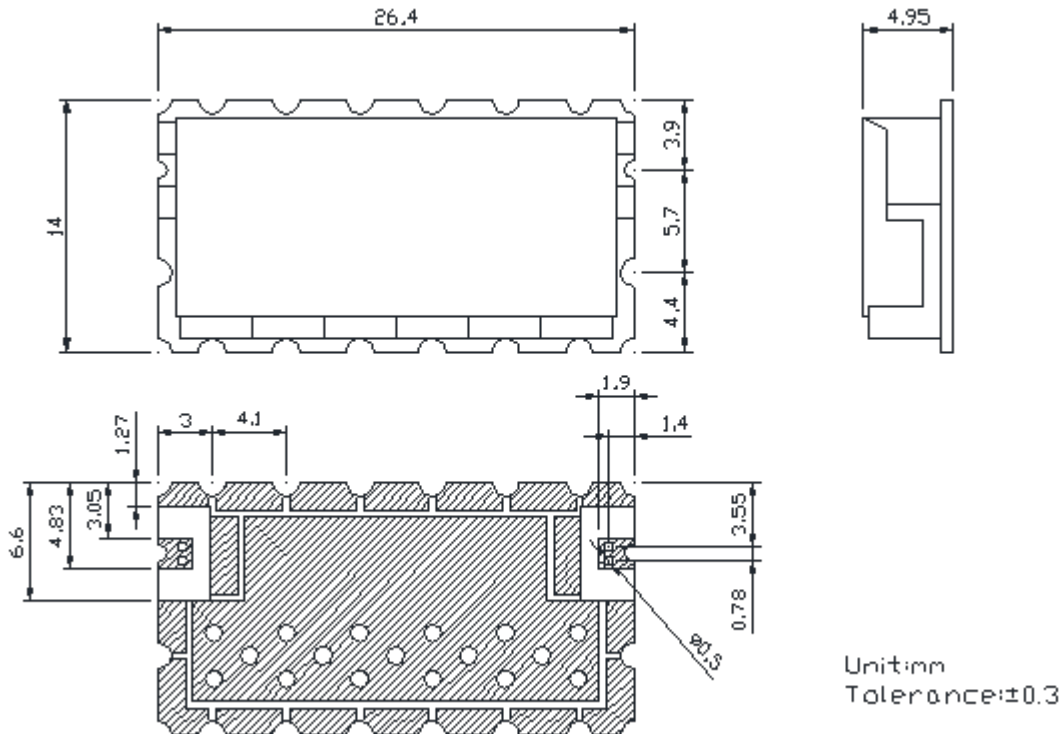
**Mounting Method:** SMT  
**Dimensions:** 26.4 x 14 x 4.95 mm

## Environmental

**Operating Temperature:** -40°C to +85°C  
**Storage Temperature:** -50°C to +90°C

**This product is RoHs compliant.**

## Outline Drawing:



Reference DCR: D050319-01A



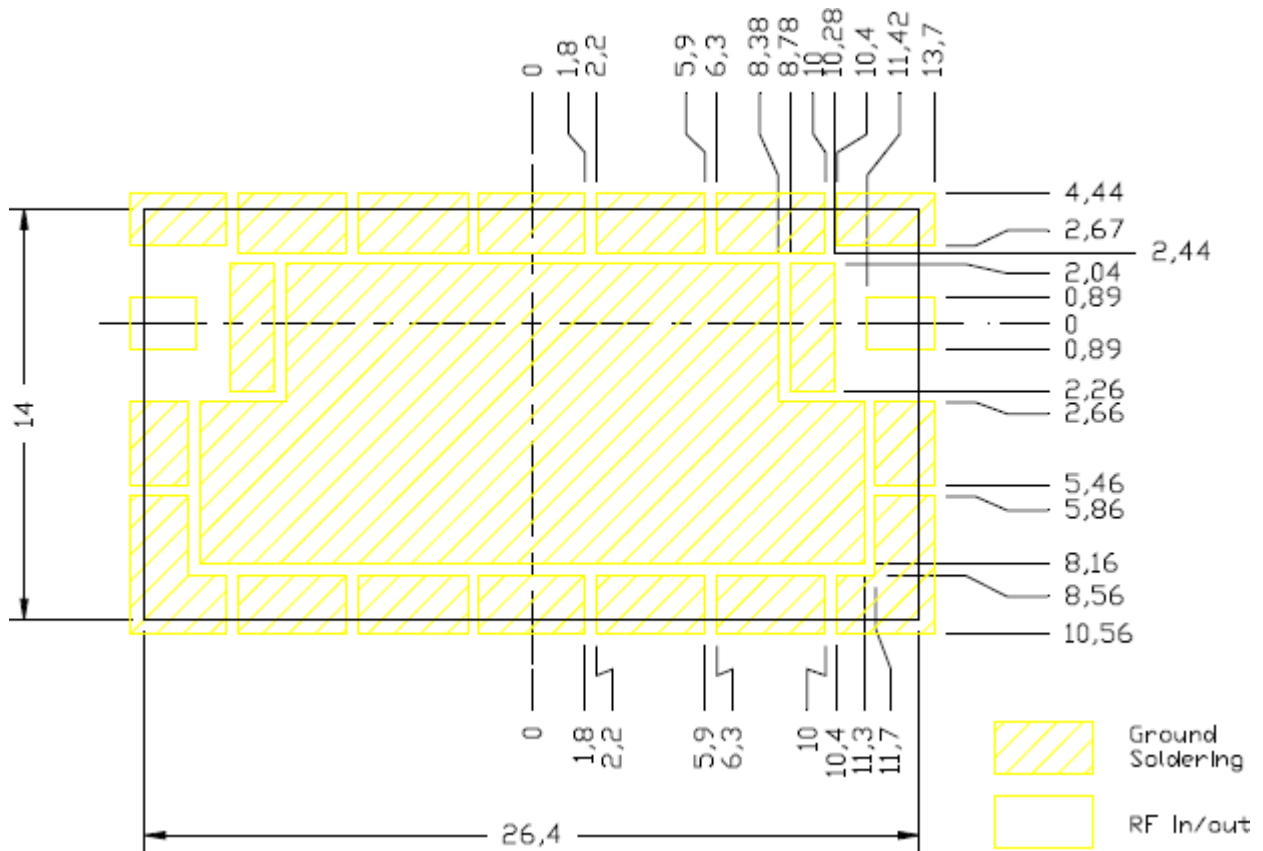
**ANATECH ELECTRONICS INC**  
RF & Microwave Filters & Products

# 4100 MHz Ceramic Bandpass Filter

Part Number: AE4100CB1776



## PCB Layout:





**ANATECH ELECTRONICS INC**  
RF & Microwave Filters & Products

# 4100 MHz Ceramic Bandpass Filter

Part Number: AE4100CB1776



## Response Plot :

