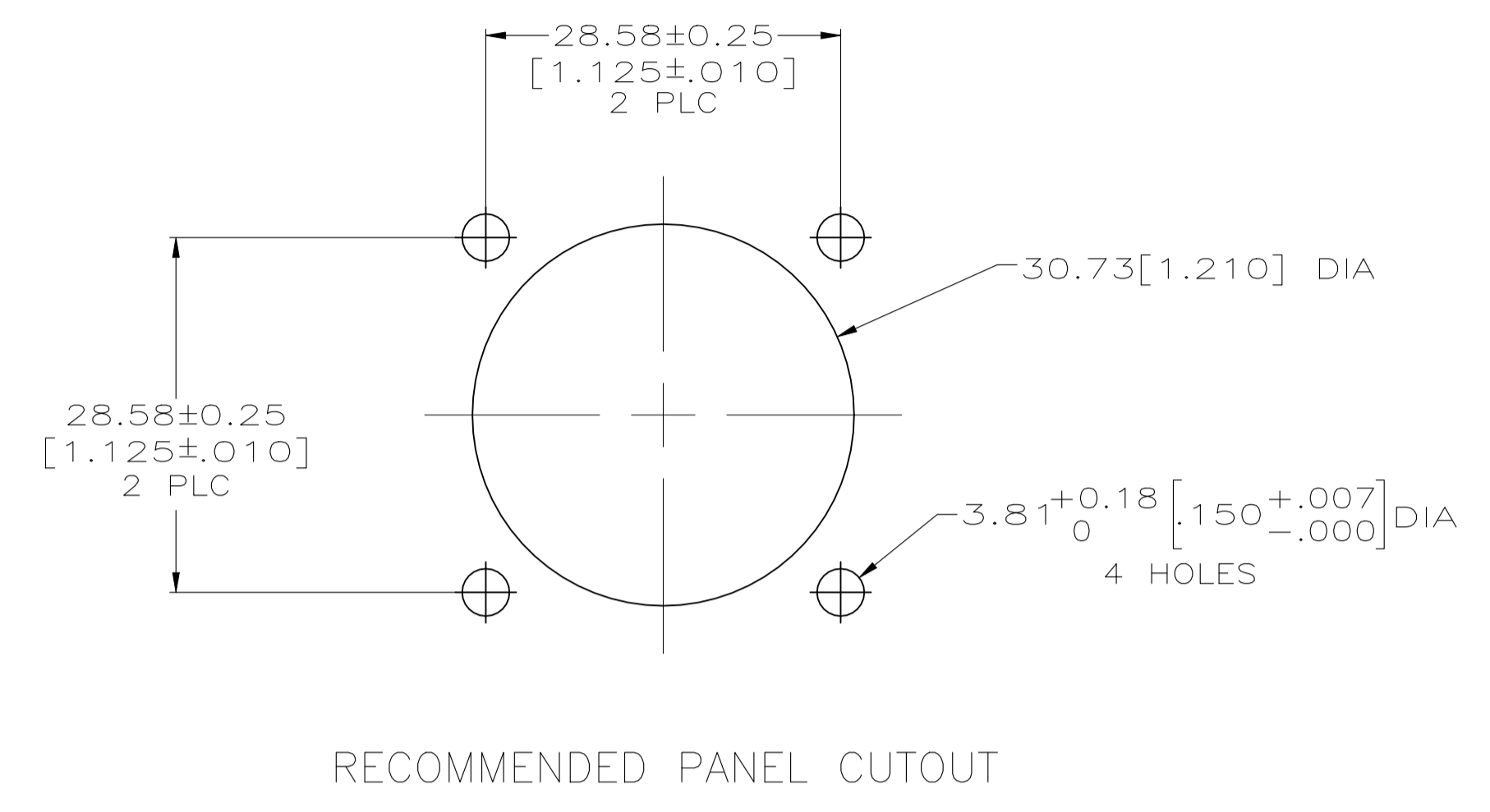
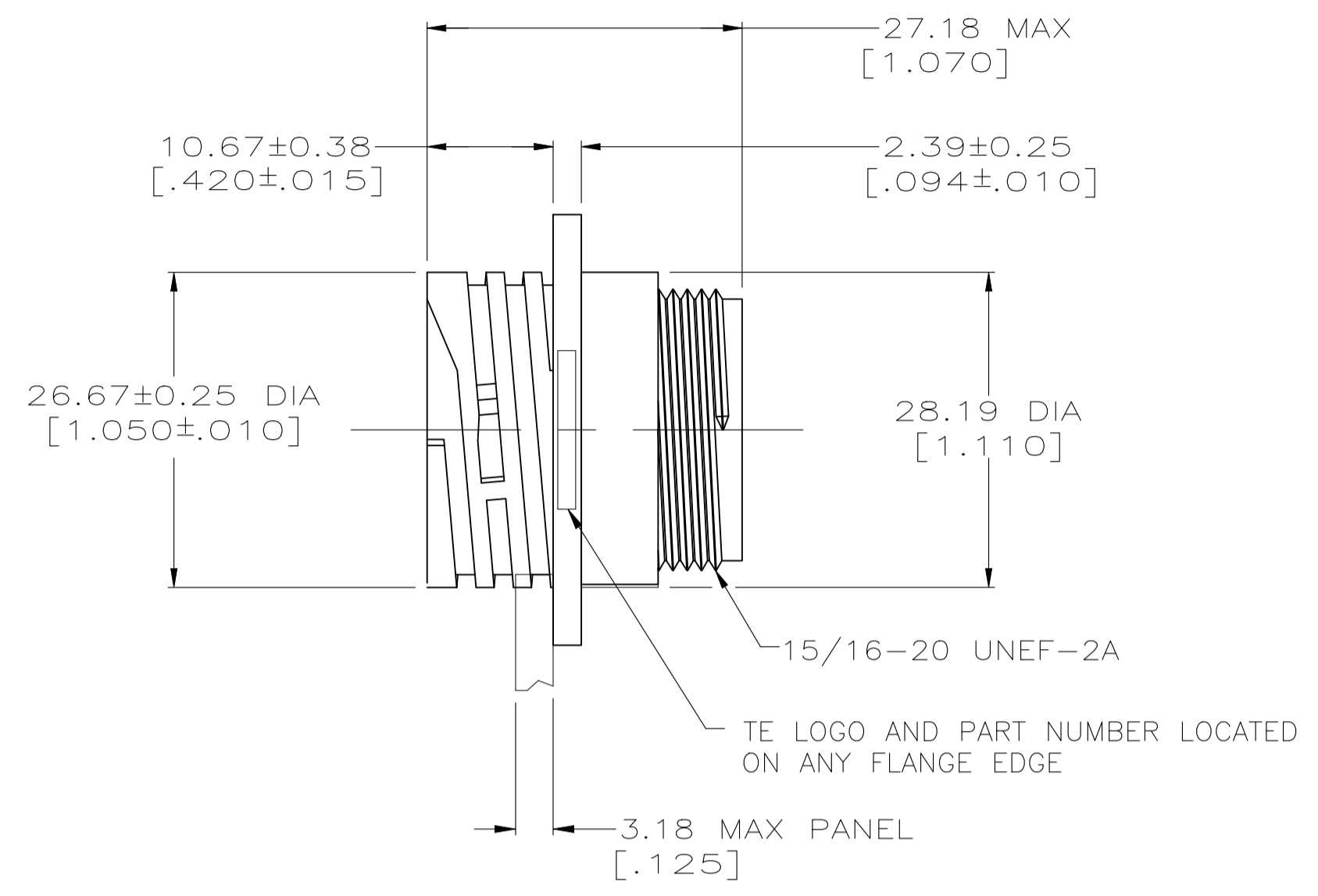
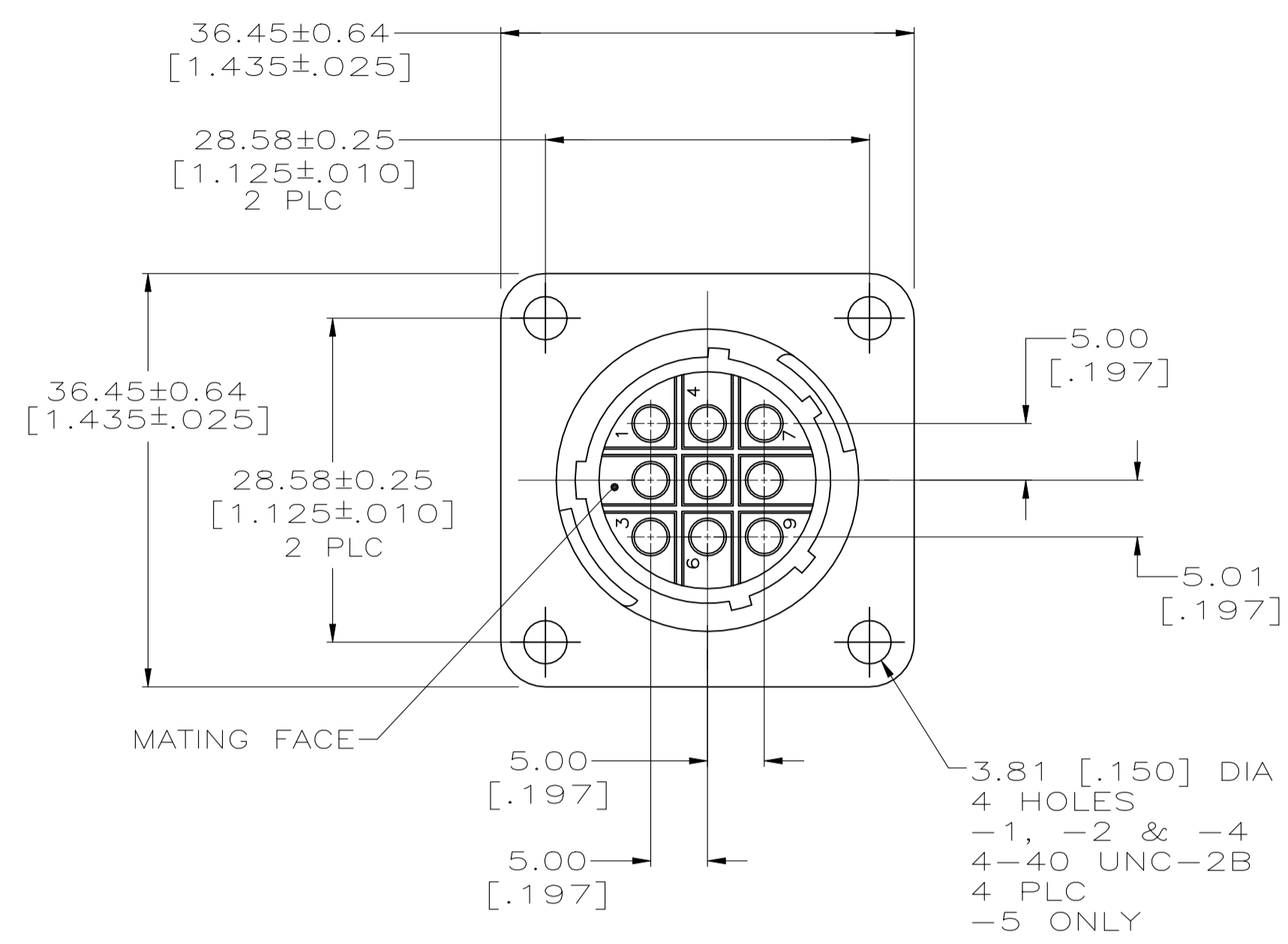
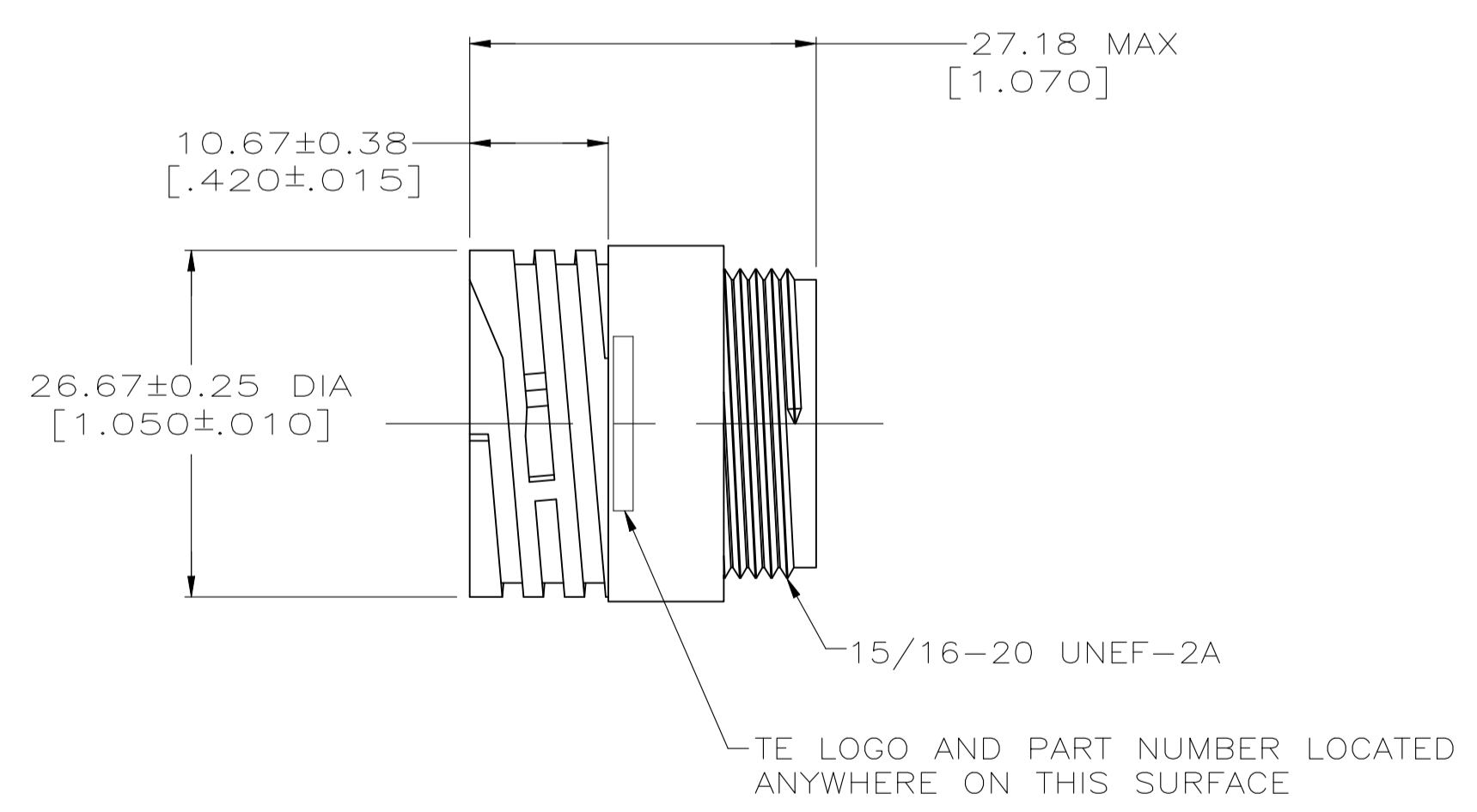
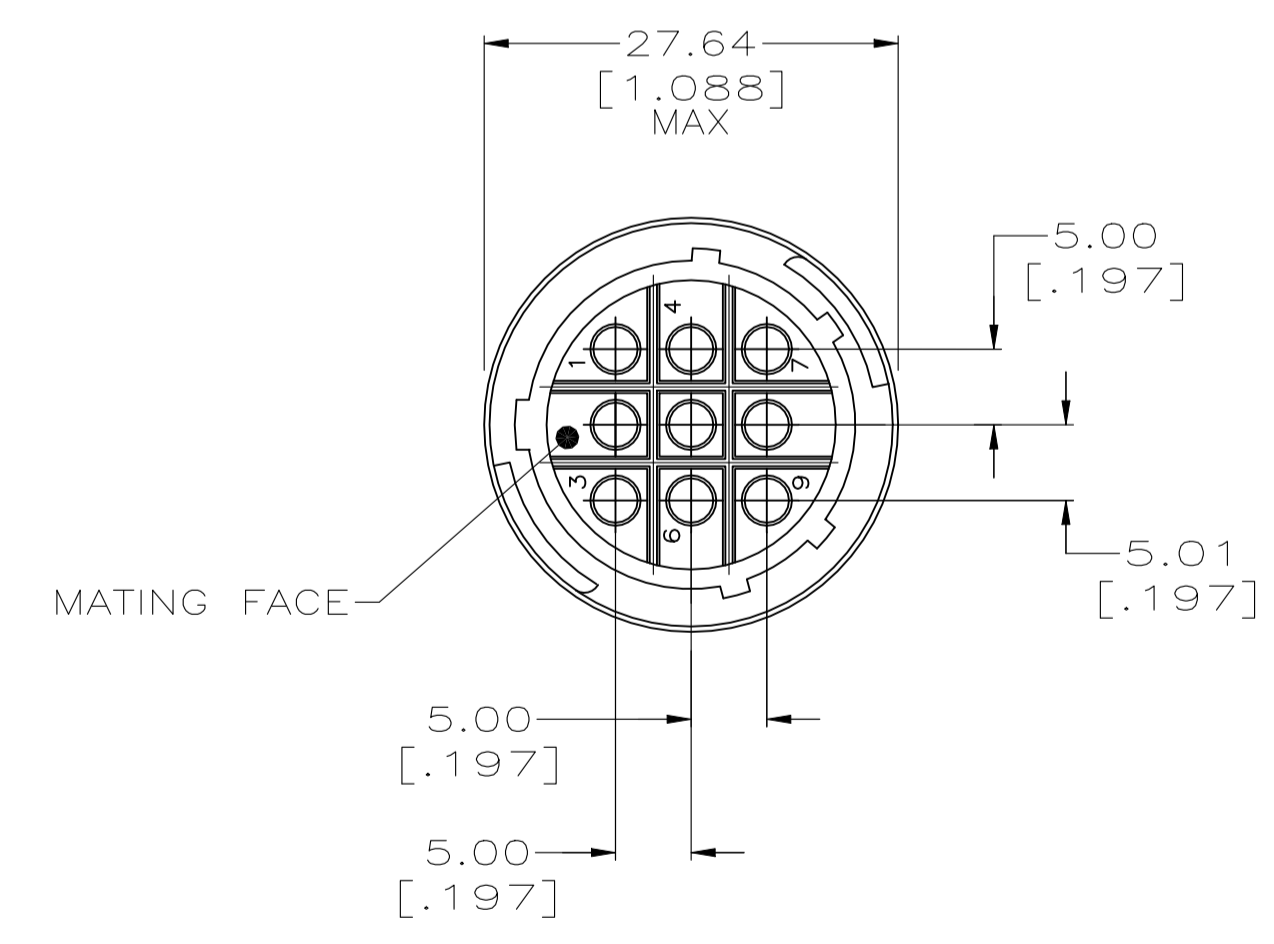


REVISIONS				
P	LTR	DESCRIPTION	DATE	APP'D
J		REVISED PER ECO-21-006945	28OCT2021	RK MZ



211769-1, -2, -4 & -5



211769-3

- 1. CAVITY IDENTIFICATION ON FRONT AND REAR FACE.
- 2. WILL ACCEPT NINE (9) MULTIMATE SOCKET CONTACTS.
- 3. 3.81[.150] MAXIMUM INSULATION DIAMETER.
- 4. 2.54[.100] MAXIMUM INSULATION DIAMETER.

YES	FLANGE	211769-5
NO	FLANGE	211769-4
NO	FREE HANGING	211769-3
NO	FLANGE	211769-2
NO	FLANGE	211769-1
THREADED INSERTS	MOUNTING	PART NUMBER

THIS DRAWING IS A CONTROLLED DOCUMENT.

DIMENSIONS:	TOLERANCES UNLESS OTHERWISE SPECIFIED:	DIN 09-24-94	D. BROCKWAY
mm [INCHES]	0 PLC ± -	09-30-94	R. STONE
	1 PLC ± -		A. FRANTUM
	2 PLC ± 0.13 [.005]		
	3 PLC ± -		
	4 PLC ± -		
	ANGLES ± -		
MATERIAL	FINISH	WEIGHT	SIZE
-	-	-	A1 00779
CUSTOMER DRAWING		SCALE 2:1	SHEET 1 of 1

RECEPTACLE HOUSING, REVERSE SEX, SHELL SIZE 17, CPC

TE Connectivity