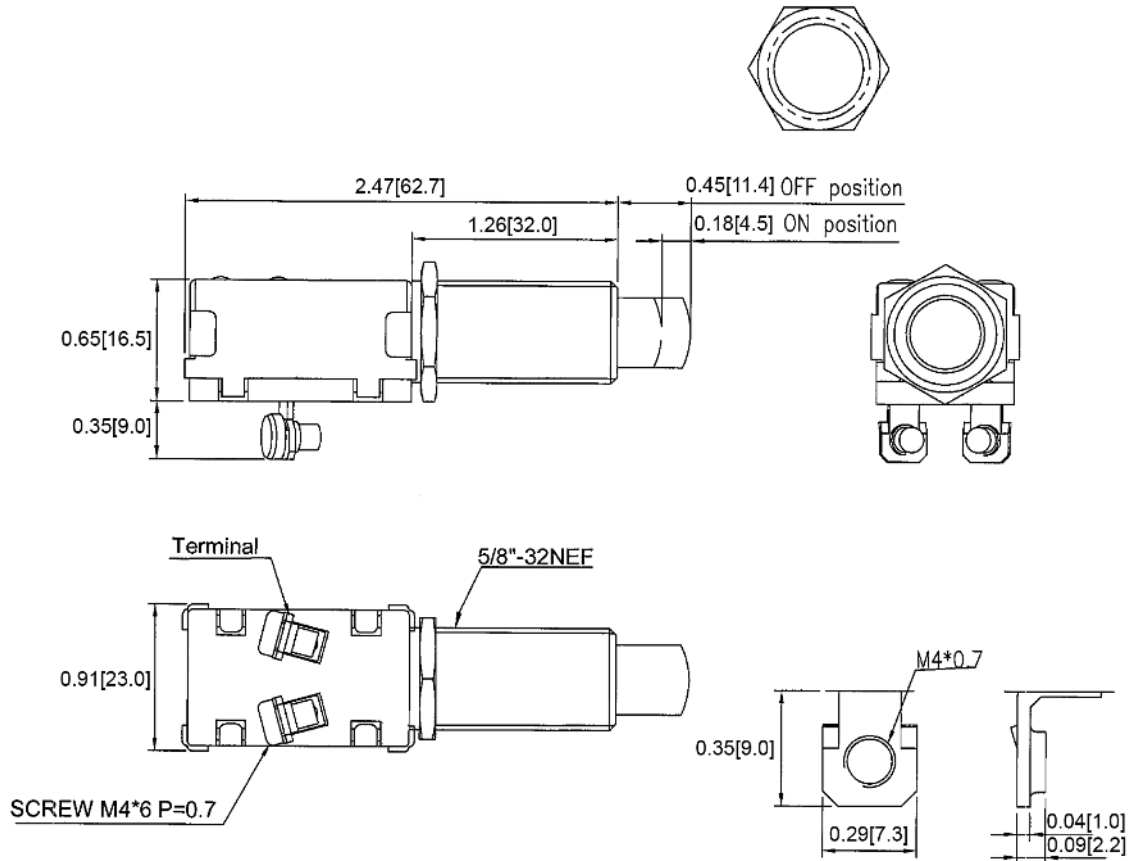
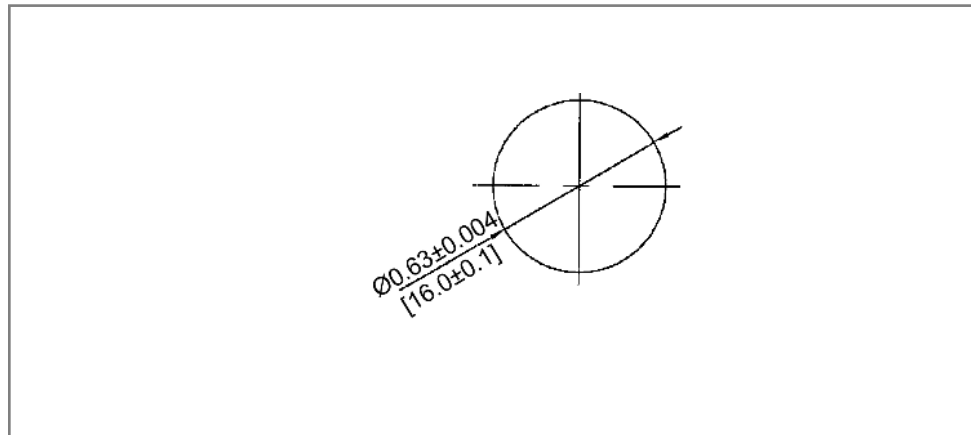


Mechanical Dimensions: Inches [mm]

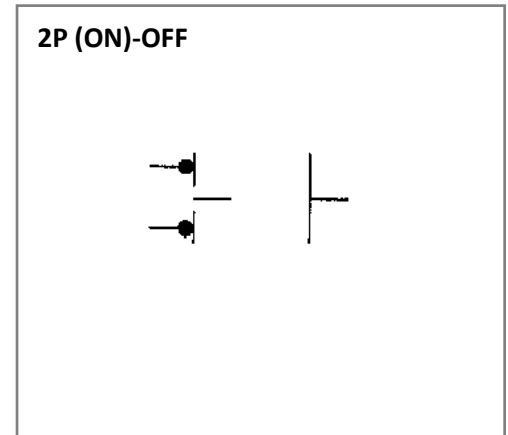
Tolerances ± 0.012 [0.3] Unless Otherwise Specified



Mounting Hole



Circuit Diagram



Electrical Specifications

Rating	15A 12V DC
Contact Resistance	50m ohm Max.
Insulation Resistance	DC 500V 100M ohm Min
Dielectric Strength	AC 1500V 1 minute

Material Specifications

Bush	Nickel Plated Brass
Actuator	Nickel Plated Brass
Housing	Zn Alloy Plated Metal

Rev **Date of issue** **Revision Notes**

Designed **Approved**

A	04-26-2021	Initial Drawing	RC	OF
---	------------	-----------------	----	----