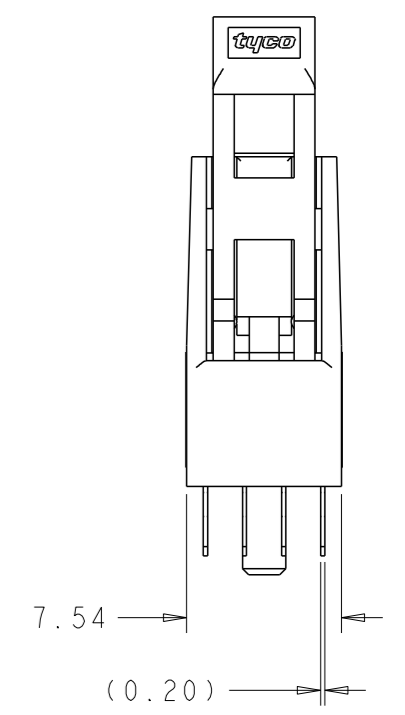
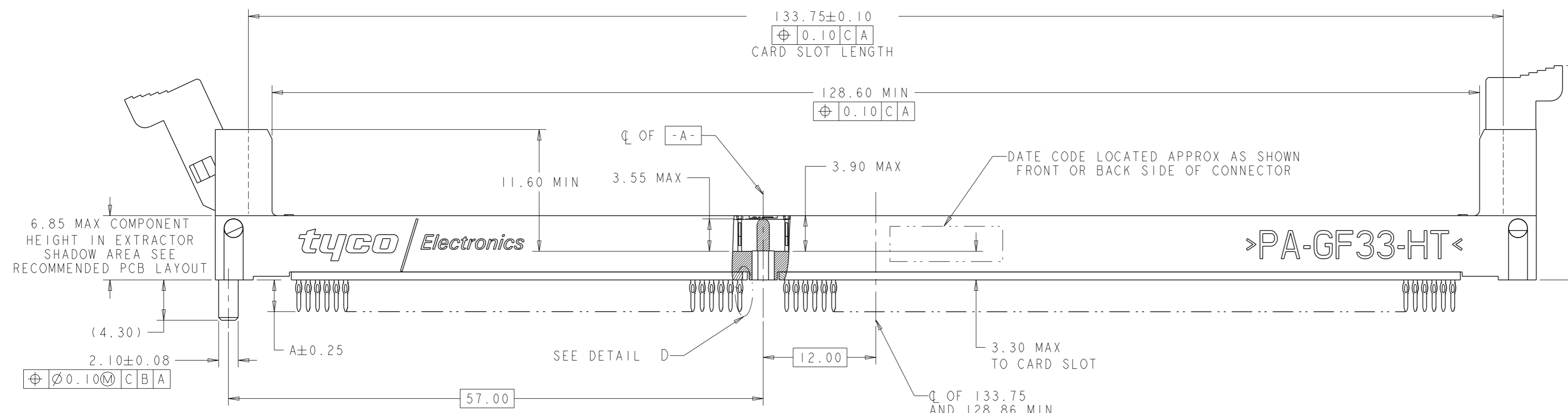
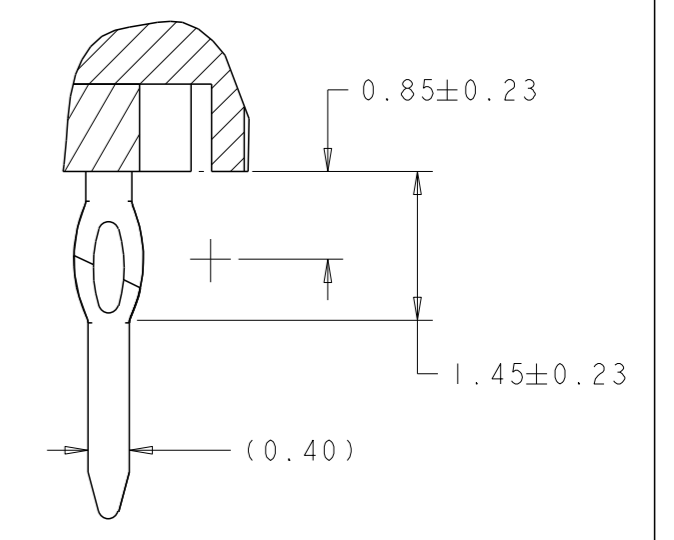
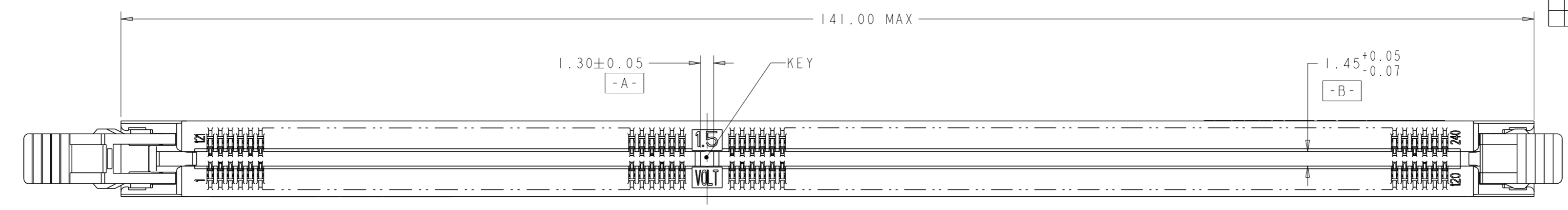
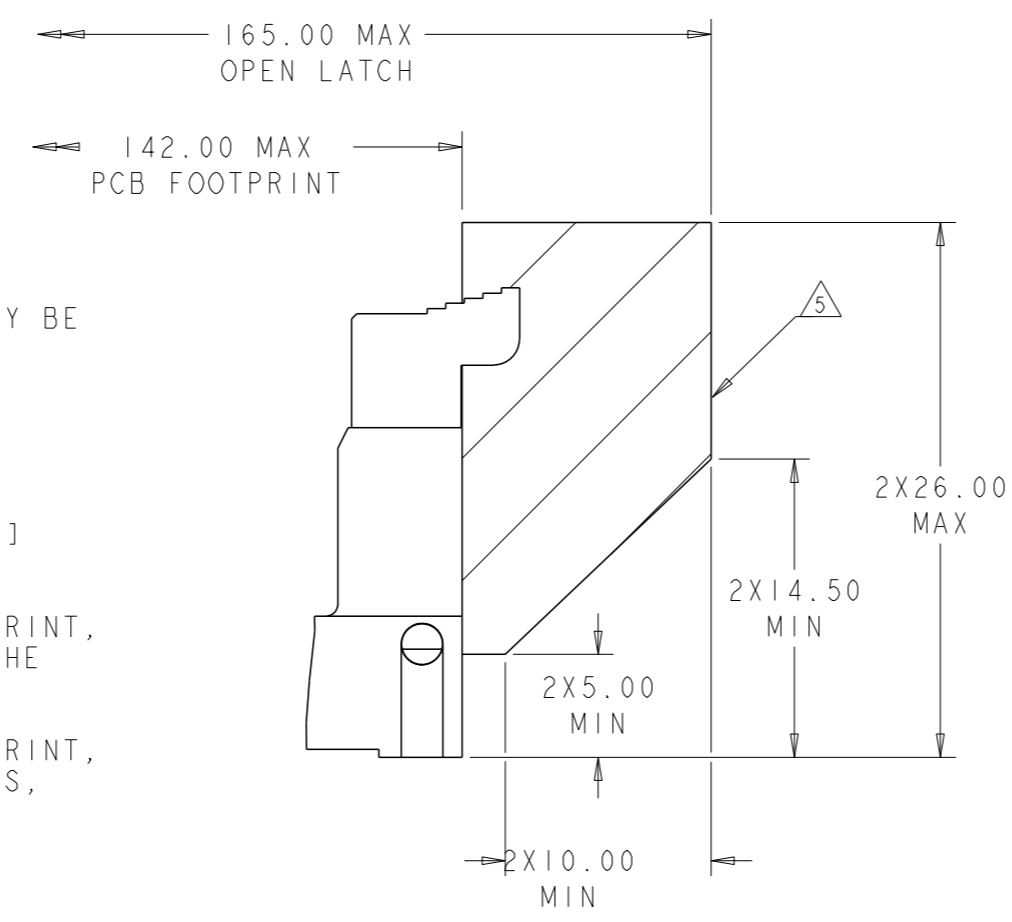


THIS DRAWING IS UNPUBLISHED. RELEASED FOR PUBLICATION 20
 © COPYRIGHT 20 BY - ALL RIGHTS RESERVED.

REVISONS		DATE	BY	APPD
P	LYR	DESCRIPTION		
E3		REVISED PER ECR-11-013889	7JUL2011	S.W C.W
F		REVISED PER ECR-11-018341	5SEP2011	S.W C.W

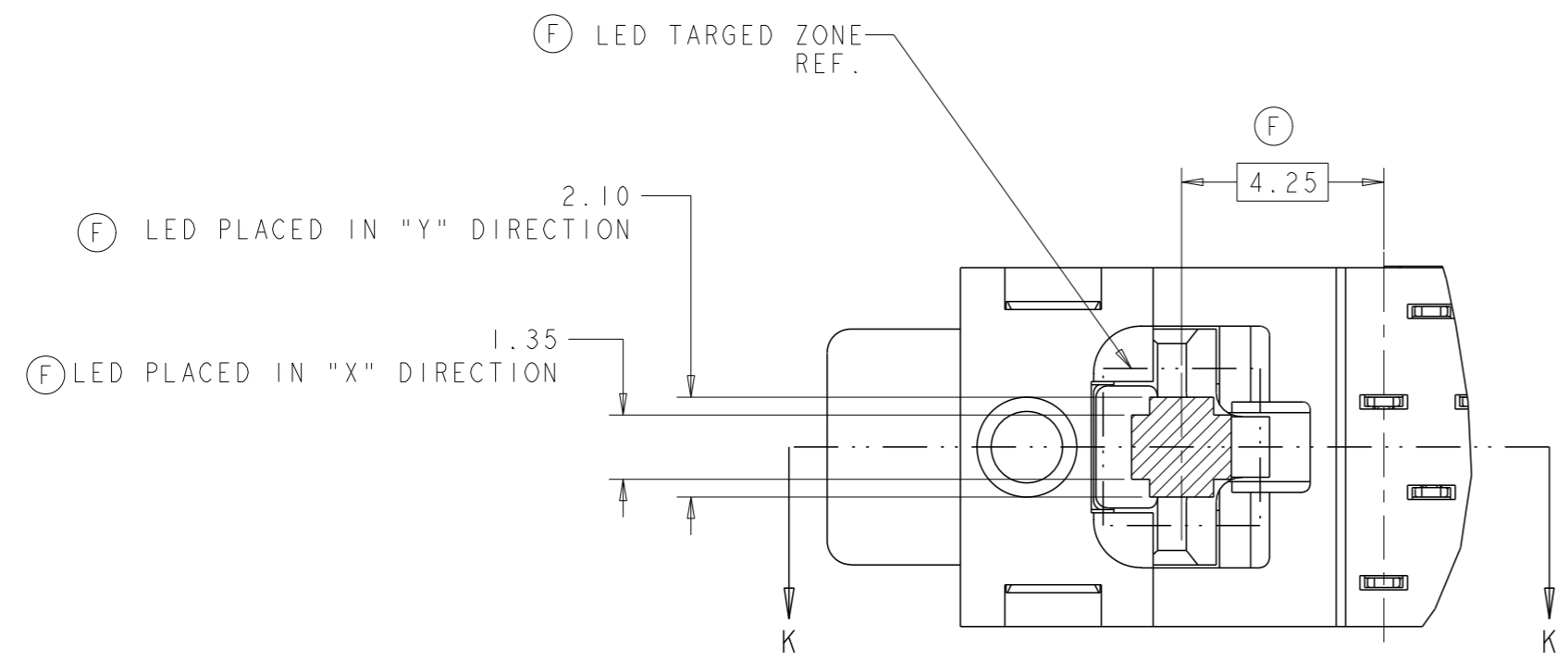


- 1 MATERIALS:
 HOUSING: HIGH TEMPERATURE, UL94 V-0
 EXTRACTOR: HIGH TEMPERATURE THERMOPLASTIC
 SUPPORT PLATE: LCP, UL94 V-0
- 2 INTERFACE FINISH:
 (1) 0.00076 MIN THK GOLD OVER 0.00127 MIN THK NICKEL
 (2) 0.00038 MIN THK GOLD OVER 0.00127 MIN THK NICKEL.
- 3 FINISHED HOLE SIZE 0.15 MAX ANNULAR RING.
 COPPER PLATING: 0.025-0.050
 TIN-LEAD PLATING: 0.0038-0.0124
 FOR PTH TIN-LEAD PLATING ONLY, FINISHED HOLE TOLERANCE MAY BE +0.05/-0.058 IN ZONE 1, AND ±0.076 IN ZONE II
- 4 KEEP OUT ZONE.
- 5 KEEP OUT AREA RESERVED FOR SOCKET EXTRACTORS, BOTH ENDS.
- 6 APPROXIMATE SEATING FORCE WILL BE 3781-5338N [850-1200 lb] FOR THE 240 POSITION SOCKET ASSEMBLY.
- 7 HOLE INDICATED IS PART OF THE STANDARD 240 POSITION FOOTPRINT, REQUIRED FOR THE SOLDER TAIL VERSION, MAY BE OMITTED FOR THE PRESS FIT VERSION.
- 8 HOLE INDICATED IS PART OF THE STANDARD 240 POSITION FOOTPRINT, REQUIRED FOR THE SOLDER TAIL AND 2 POSTS PRESS FIT VERSIONS, MAY BE OMITTED FOR 1 POST PRESS FIT VERSION
- 9 COMPLIANT PIN FINISH: 0.00254 MIN THICK MATTE TIN OVER 0.00127 MIN THICK NICKEL.
- 10 COMPLIANT PIN FINISH: 0.00254 MIN THICK TIN-LEAD OVER 0.00127 MIN THICK NICKEL.
- 11 FOR HANDLING PROCESS AT CUSTOMER'S LINE, PAY ATTENTION NOT TO TOUCH EVERY CONTACT TIPS.
- 12 LOWER RESISTANCE TYPE

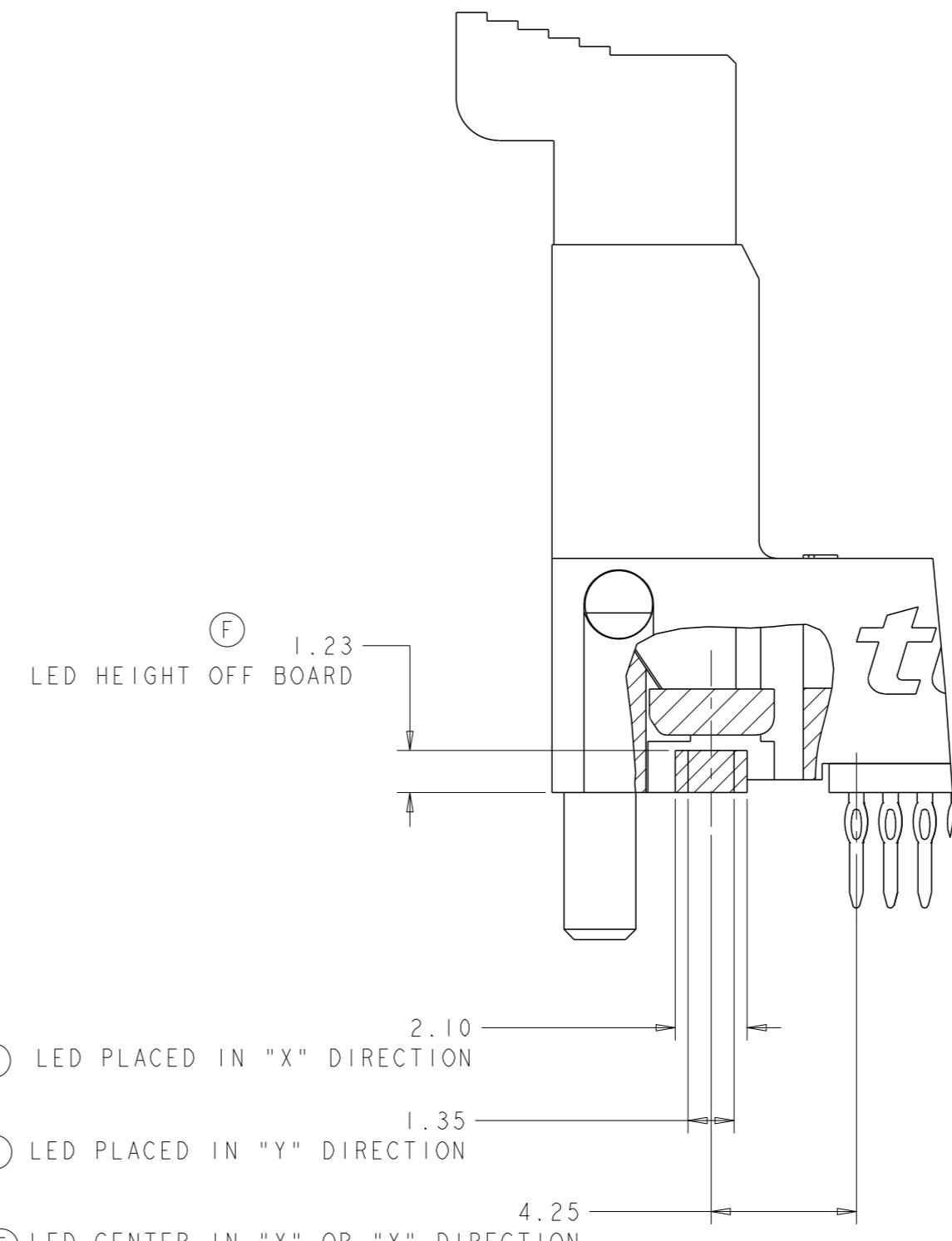


DIM A	COMPLIANT PIN	INTERFACE FINISH	SUPPORT PLATE COLOT	EXTRACTOR COLOR	HOUSING COLOR	DESCRIPTION	PART NUMBER
2.40	9	(2)	BLACK	AMBER	BLACK	1 POST	3-2013266-4
			BLACK	NATURAL	BLACK		3-2013266-3
3.30	9	(1)	BLACK	AMBER	BLACK	1 POST	3-2013266-2
			BLACK	NATURAL	BLACK		3-2013266-1
2.40	9	(2)	BLACK	AMBER	BLACK	1 POST	2-2013266-4
			BLACK	NATURAL	BLACK		2-2013266-3
3.30	9	(1)	BLACK	AMBER	BLACK	1 POST	2-2013266-2
			BLACK	NATURAL	BLACK		2-2013266-1
2.40	9	(2)	BLACK	NATURAL	BLACK	1 POST	1-2013266-7
			BLACK	BLACK	BLACK		1-2013266-6
3.38	10	(1)	NATURAL	NATURAL	NATURAL	1 POST	1-2013266-5
			BLUE	NATURAL	BLUE		1-2013266-4
2.40	9	(2)	BLACK	BLACK	BLACK	1 POST	1-2013266-3
			NATURAL	NATURAL	NATURAL		1-2013266-2
3.38	10	(1)	BLACK	BLACK	BLACK	1 POST	1-2013266-1
			NATURAL	NATURAL	NATURAL		2013266-7
2.40	9	(2)	BLACK	NATURAL	BLACK	1 POST	2013266-6
			NATURAL	NATURAL	NATURAL		2013266-5
3.38	10	(1)	NATURAL	NATURAL	NATURAL	1 POST	2013266-4
			BLACK	NATURAL	BLACK		2013266-3
2.40	9	(2)	BLACK	BLACK	BLACK	1 POST	2013266-2
			BLACK	NATURAL	BLACK		2013266-1

LOC	DIST	REVISIONS					
J	-	P	LYR	DESCRIPTION	DATE	DNW	APVD
		-	-	SEE SHEET 1			



PARTIAL BOTTOM VIEW
SCALE 10:1



SECTION K-K
SCALE 8:1

DIM A	COMPLIANT PIN	INTERFACE FINISH	SUPPORT PLATE COLOT	EXTRACTOR COLOR	HOUSING COLOR	DESCRIPTION	PART NUMBER
E3 A2 2.40	9	(1)	BLACK	NATURAL	BLACK	1 POST	3-2013266-8
			NATURAL	NATURAL	NATURAL		3-2013266-7
			BLACK	AMBER	BLACK		3-2013266-6
			BLUE	BLACK	BLUE		3-2013266-5
E3 A2 3.30	9	(1)	BLACK	BLACK	BLACK	1 POST	2-2013266-9
			BLACK	NATURAL	BLACK		2-2013266-8
			NATURAL	NATURAL	NATURAL		2-2013266-7
			BLACK	AMBER	BLACK		2-2013266-6
			BLUE	BLACK	BLUE		2-2013266-5

THIS DRAWING IS A CONTROLLED DOCUMENT. DWN SANDERS, YAN 18-May-2007
 CH T. KAWAMAE 18-May-2007
 APVD STEVEN YAO 18-May-2007

STE TE Connectivity

SOCKET ASSEMBLY, VERTICAL DDR3 DIMM, PRESS FIT, 240 POSITIONS

SIZE: A1 CAGE CODE: 00779 DRAWING NO: 2013266
 SCALE: 1:1 SHEET 3 OF 3 REV F