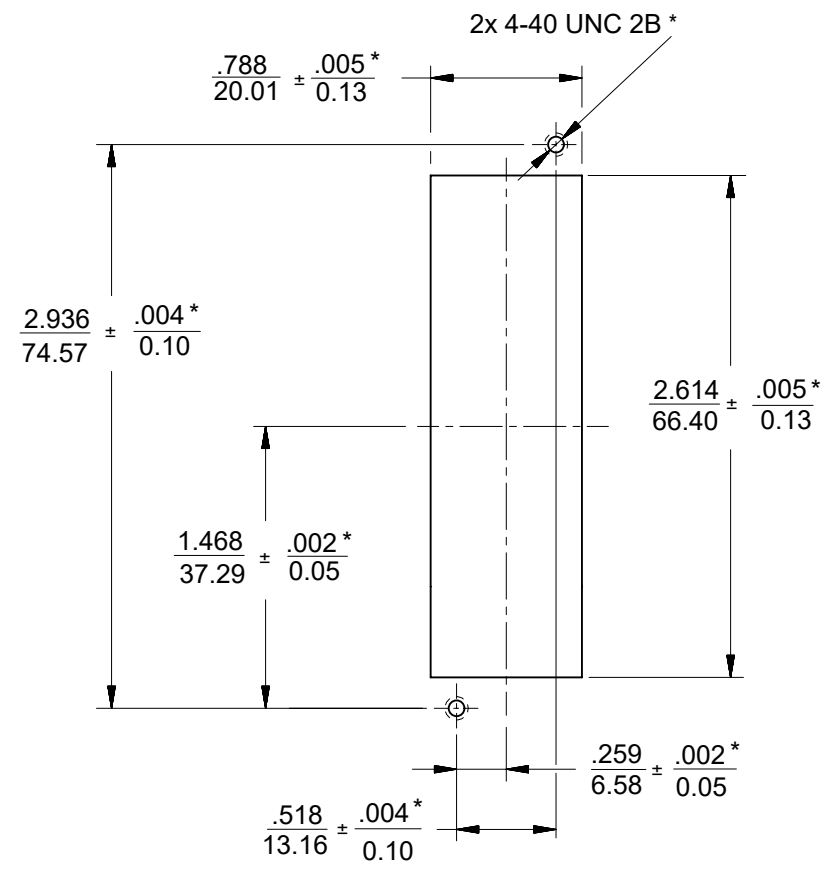
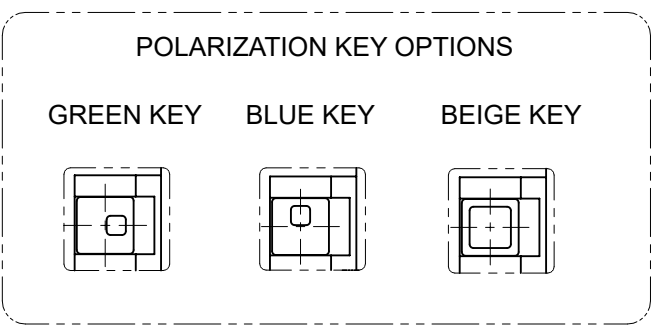


BLC ADAPTER P/N	SPLIT SLEEVE MATERIAL	COLOR
106146-0100	Ph. Bronze	BLACK
106146-1100	Zr	



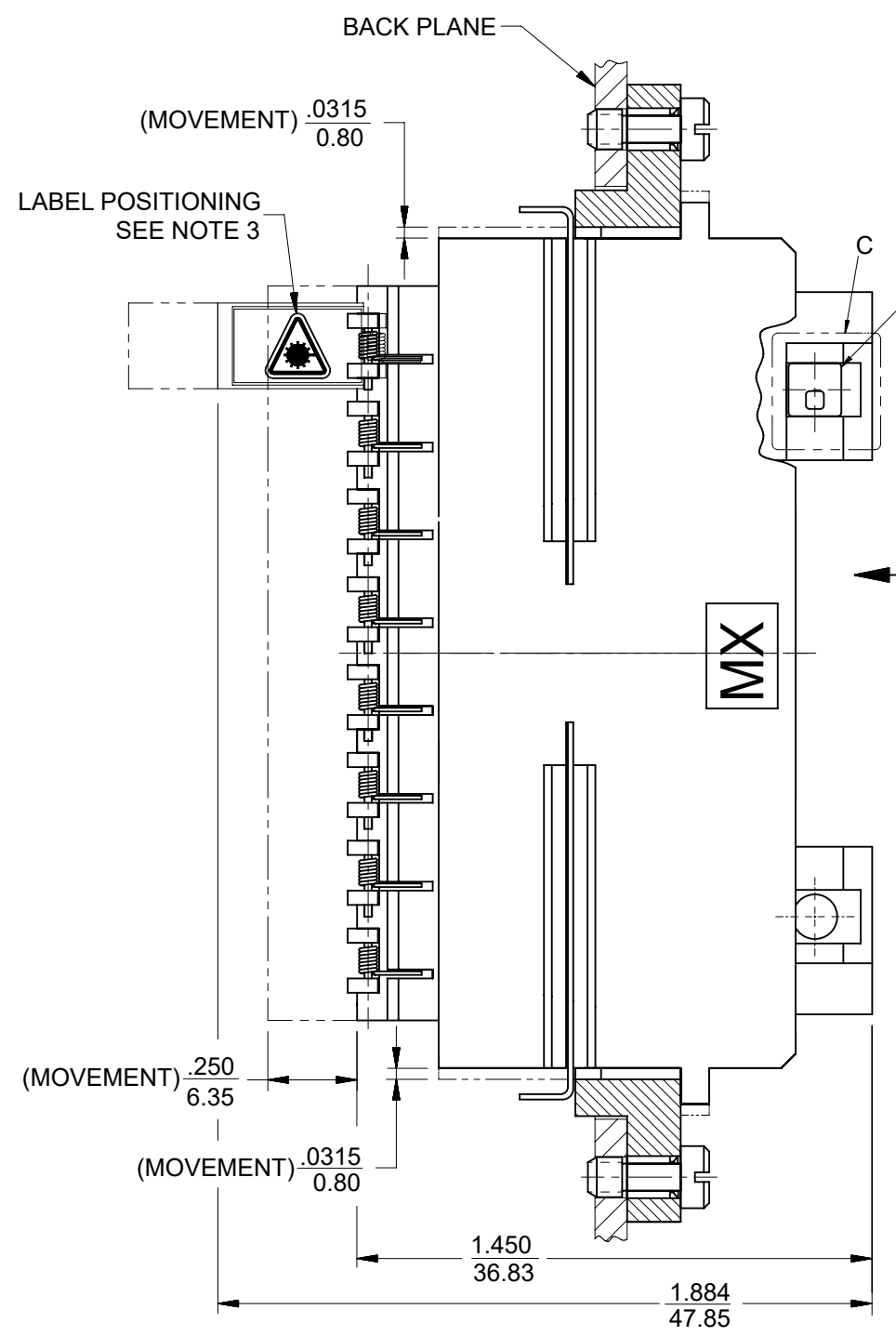
**VIEW A**

RECOMMENDED MOUNTING HOLES  
SCALE: 1:1



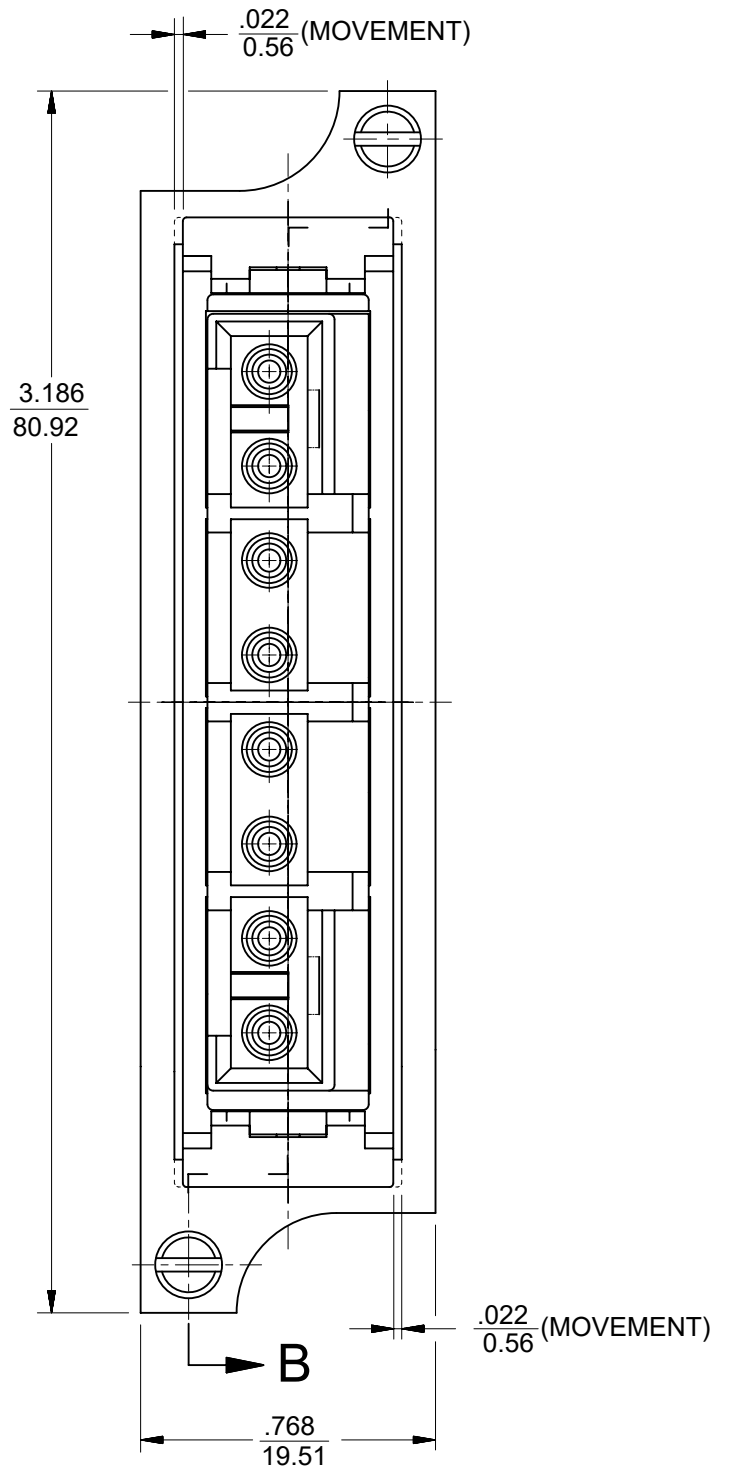
**DETAIL C**

- NOTES:**
1. ALL DIM. ARE FOR REFERENCE ONLY, EXCEPT WHEN MARKED WITH (\*).
  2. POLARIZATION KEYS AND LABELS ARE PACKED UNASSEMBLED WITH ADAPTER ASSEMBLY IN POLY BAG.
  3. ADHESIVE LABELS TO BE POSITIONED ON LC DOORS BY USER. THE ORIENTATION OF THE LABELS SHOULD BE SUCH THAT THE LASER WARNING SYMBOL IS EASILY IDENTIFIED.



**SECTION B-B**

PRE-RELEASE  
REFERENCE  
USE ONLY



THIS DRAWING CONTAINS INFORMATION THAT IS PROPRIETARY TO MOLEX ELECTRONIC TECHNOLOGIES, LLC AND SHOULD NOT BE USED WITHOUT WRITTEN PERMISSION											
DIMENSION UNITS <b>IN/MM</b>		SCALE <b>2:1</b>		CURRENT REV DESC: REMOVED OBSOLETE PART NUMBER AS PER PCN#510806.				<b>molex</b>		BLC ADAPTER ASSEMBLY (8 POSITION)	
GENERAL TOLERANCES (UNLESS SPECIFIED)				EC NO: 733771 DRWN: SANTHN CHK'D: GGA APPR: GGA							
4 PLACES ±				2023/01/25				PRODUCT CUSTOMER DRAWING			
3 PLACES ±				2023/02/24				DOCUMENT NUMBER			
2 PLACES ±				2023/02/24				SD-106146-XX00			
1 PLACE ±				INITIAL REVISION:				DOC TYPE DOC PART REVISION			
0 PLACES ±				DRWN: PGIBLIN APPR:				PSD 001 B1			
ANGULAR TOL ± 0.5°				2005/10/21				MATERIAL NUMBER CUSTOMER SHEET NUMBER			
DRAFT WHERE APPLICABLE MUST REMAIN WITHIN DIMENSIONS		THIRD ANGLE PROJECTION		DRAWING <b>B-SIZE</b>		SERIES <b>106146</b>		SEE TABLE		GENERAL MARKET 1 OF 1	