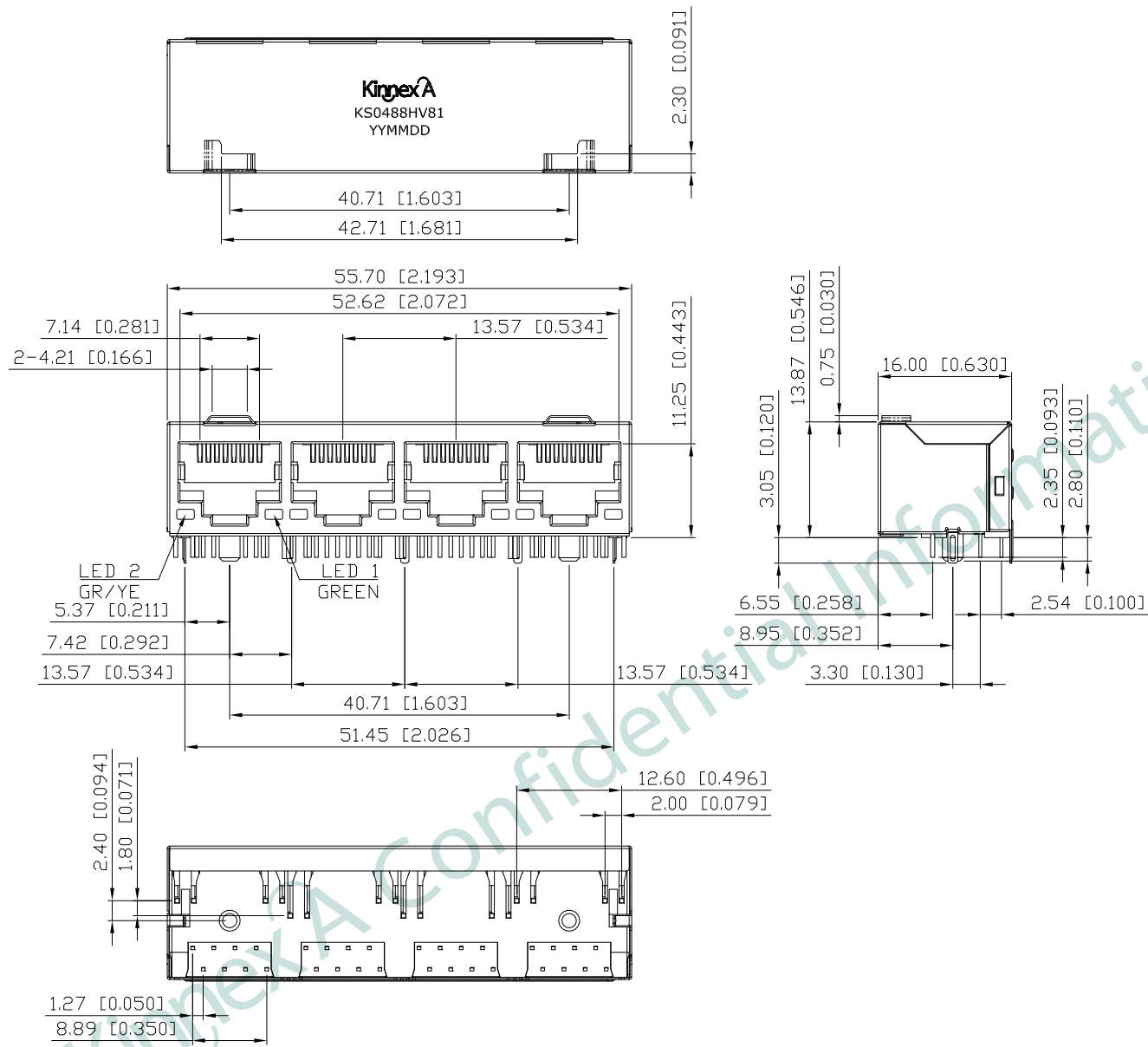


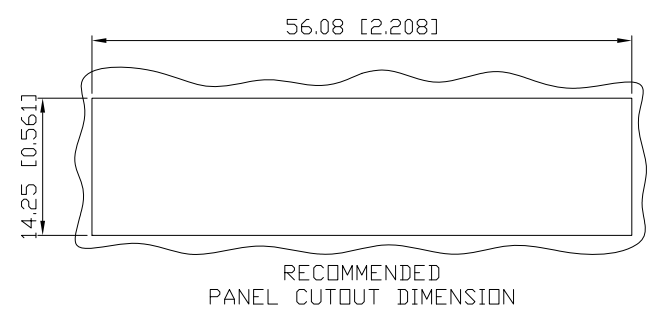
1. MECHANICAL DIMENSIONS :

REV.	DATE	DESCRIPTION
01	Dec. 18, '20	1st RELEASE

A
B
C
D
E
F



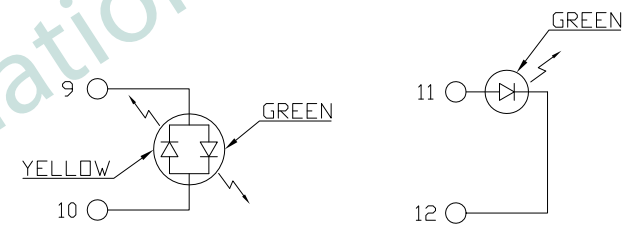
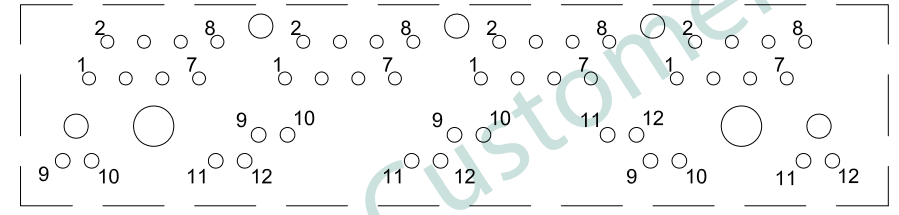
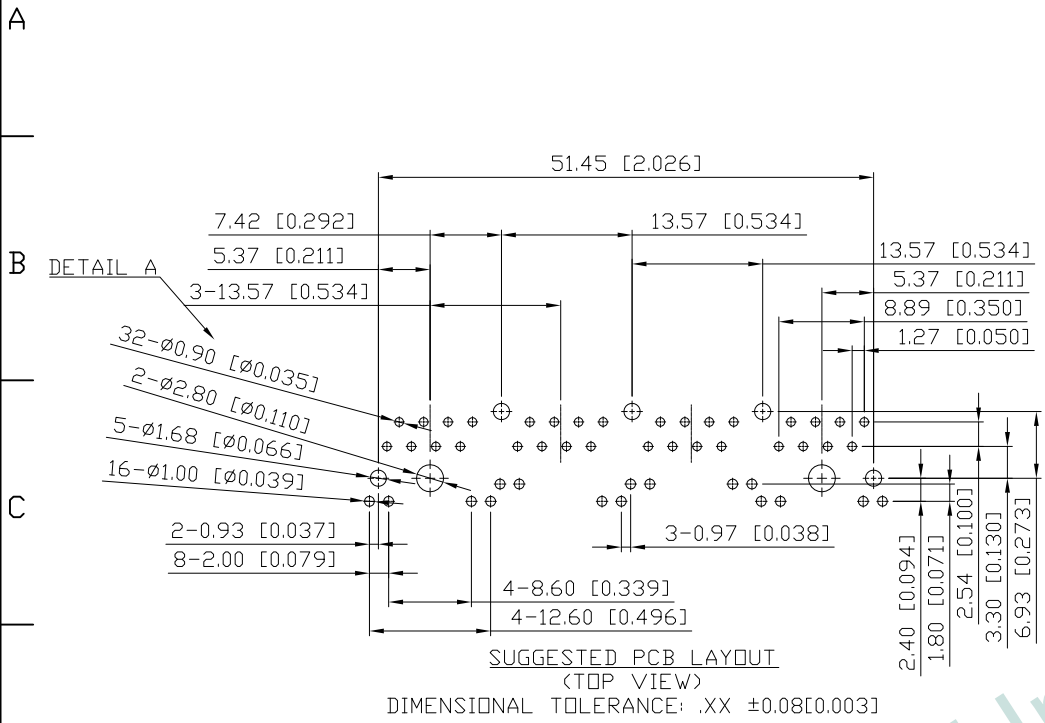
- NOTES:
- MATERIAL:
HOUSING: HIGH THERMOPLASTIC, UL94V-0, BLACK
CONTACTS: T=0.35mm PHOS-BRONZE,
15u" GOLD PLATING ON CONTACT AREA,
NICKEL UNDERPLATING OVERALL
SHIELD: T=0.20mm COPPER ALLOY, NICKEL PLATING
 - OPERATING TEMPERATURE: -40°C~+85°C
 - MATING FORCE: 4 POUNDS MAX.
UNMATING FORCE: 4 POUNDS MAX.
 - DURABILITY: 750 MATING CYCLED MIN.
 - CAVITY CONFORMS TO FCC RULES
AND REGULATIONS PART 68, SUBPART F.
 - UNSPECIFIED TOLERANCE: .XX ±0.25[0.010]
.X ±0.30[0.012]



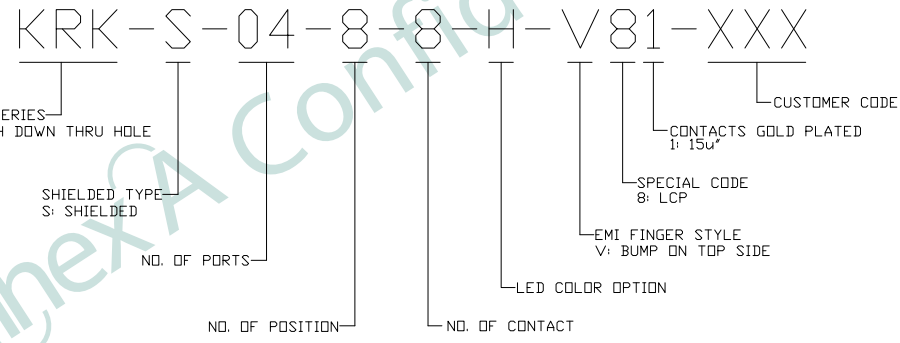
PART NO		KRK-S-04-8-8-H-V81-XXX		
TITLE	RJ45 1X4 8P8C, W/LED, SHIELDED W/BUMPS			
REV : 01				
UNIT	DRAWN	CHKD	DATE	SHEET
mm[inch]	CINDY	VINCENT	Dec. 18, '20	1 of 4

ROHS Compliant

2. PCB LAYOUT :

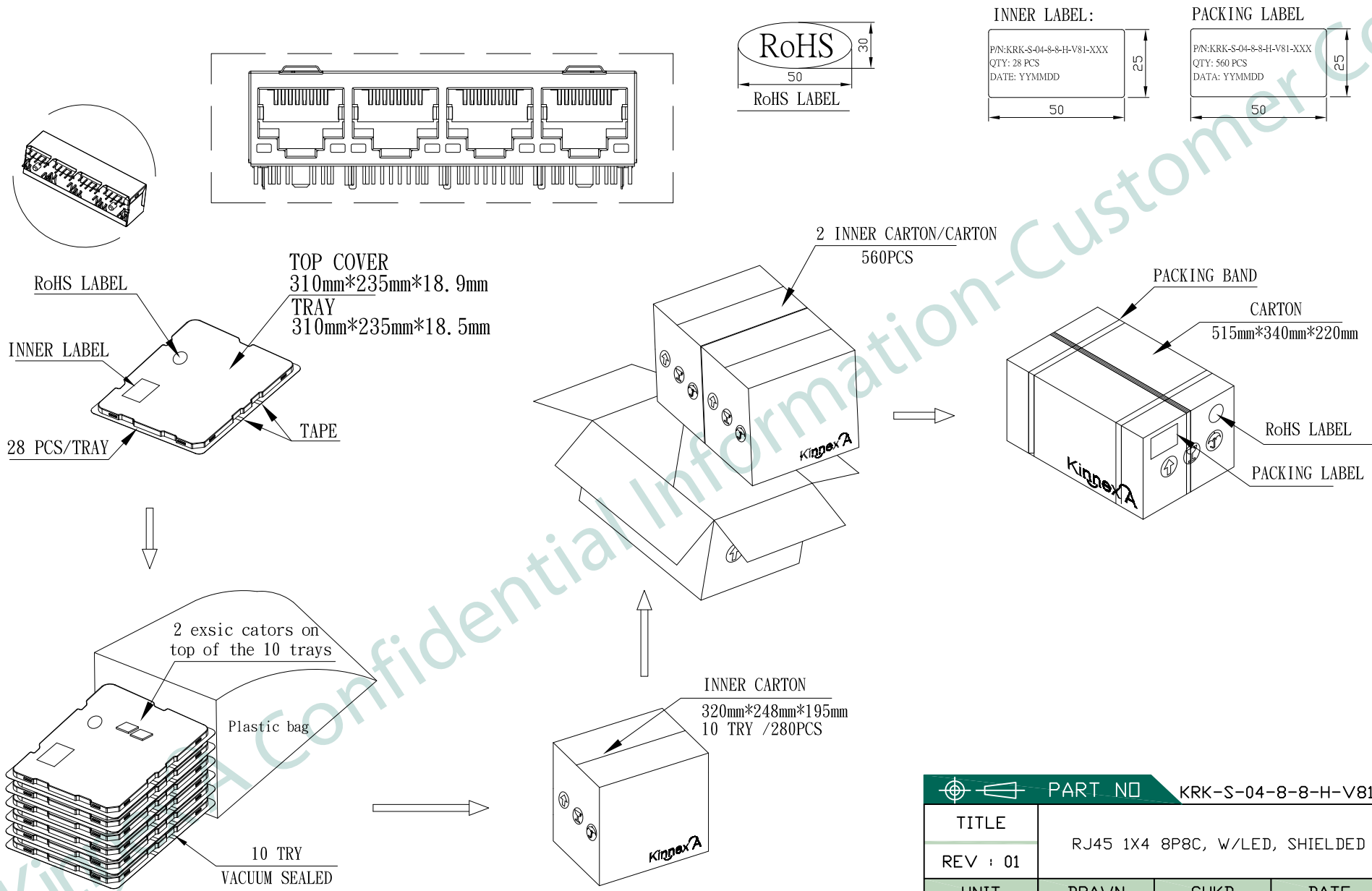


COLOR	VF<V> @20mA		IV<mcd> @20mA	IF<mA>	PEAK WAVE LENGTH λP<nm> @20mA
	TYP	MAX	TYP	TYP	TYP
GREEN	2.2	2.6	45	20	567±1.5nm
YELLOW	2.0	2.6	45	20	590±1.5nm
GREEN	2.2	2.6	45	20	567±1.5nm



PART NO KRK-S-04-8-8-H-V81-XXX				
TITLE	RJ45 1X4 8P8C, W/LED, SHIELDED W/BUMPS			
REV : 01				
UNIT	DRAWN	CHKD	DATE	SHEET
mm[inch]	CINDY	VINCENT	Dec. 18, '20	2 of 4

3. PACKING SPECIFICATION:



PART NO		KRK-S-04-8-8-H-V81-XXX		
TITLE	RJ45 1X4 8P8C, W/LED, SHIELDED W/BUMPS			
REV : 01				
UNIT	DRAWN	CHKD	DATE	SHEET
mm[inch]	CINDY	VINCENT	Dec. 18, '20	3 of 4

DWG NO KRK-S-04-8-8-H-V81-XXX

KinnexA, INC. 8F, No. 172, CHENG TEH ROAD SEC. 4, TAIPEI 11167, TAIWAN

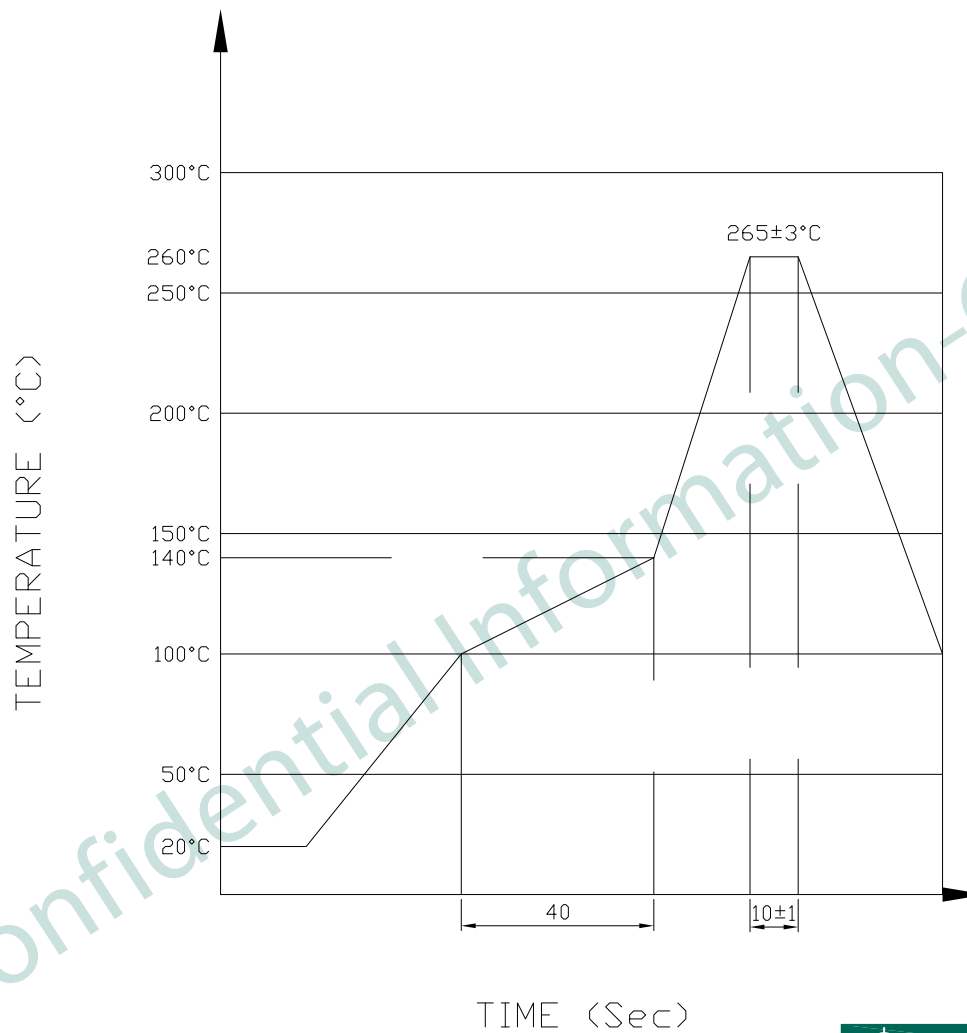
PRELIMINARY RELEASE SUBJECT TO CHANGE

※ THIS DRAWING IS A CONTROLLED DOCUMENT ※



RoHS Compliant

4. PROFILE OF WAVE SOLDER :



THE MEASURING POINT FOR THE SPECIFIED TEMPERATURE SHALL BE ON THE SOLDERED PART OF THE LEAD

PART NO		KRK-S-04-8-8-H-V81-XXX		
TITLE	RJ45 1X4 8P8C, W/LED, SHIELDED W/BUMPS			
REV : 01				
UNIT	DRAWN	CHKD	DATE	SHEET
mm[inch]	CINDY	VINCENT	Dec. 18, '20	4 of 4