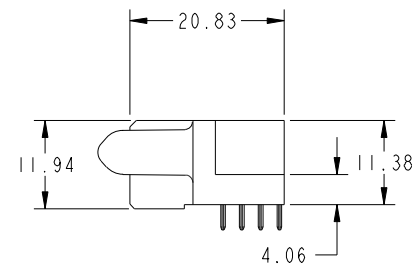
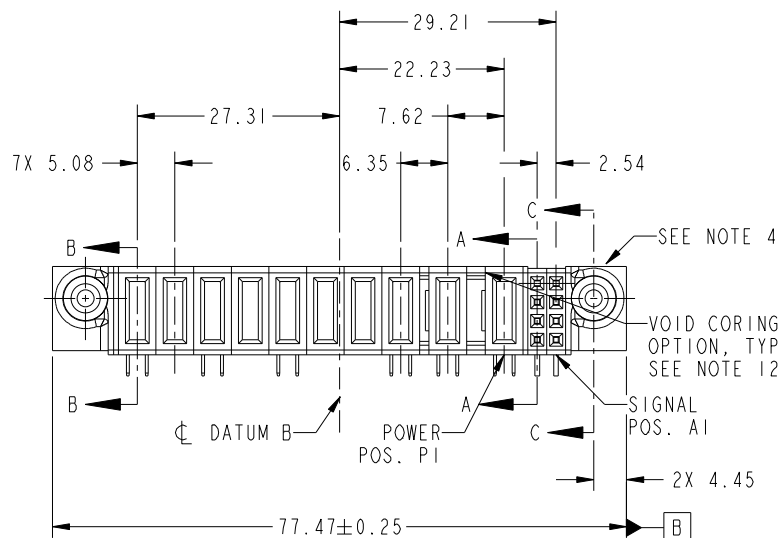


PRODUCT NO.	ROW S	POWER										SIGNAL			
		E2	P10	P9	P8	P7	P6	P5	P4	P3	P2	P1	2	1	E1
51915-381-- NOTE 3	D C B A	PA	X	PA	X	PA	X	X	PC	PC	PA	H	G	F	E



CODE	DIM "M" MATING LENGTH	CONTACT TYPE
PA	[1.07]	POWER
PC	[2.34]	POWER
E	[N/A]	SIGNAL
F	[N/A]	SIGNAL
G	[N/A]	SIGNAL
H	[N/A]	SIGNAL

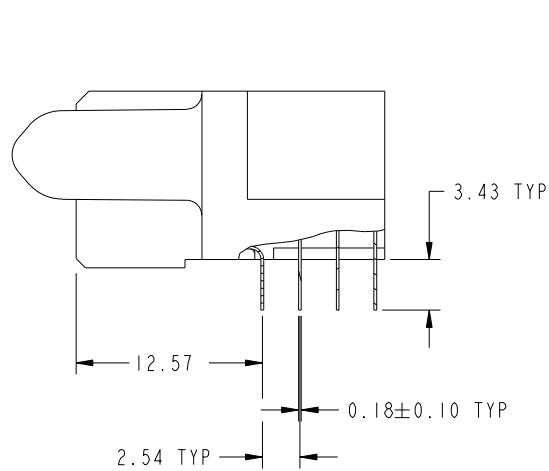
spec ref	SEE NOTES			dr	Weller Luo	2012-11-08	projection 	MM 	size	A4	scale	1:1
tolerance std	TOLERANCES UNLESS OTHERWISE SPECIFIED			eng	Weller Luo	2012-11-14			ecn no	*		
SEE NOTES				chr	-	-	product family	PwrBlade	rel level	Released		
surface	linear	0.X	±0.50		title	8S+2ACP+1P+7DCP	dwg no	51915-381	rev	A		
		0.XX	±0.25									
		0.XXX	±0.10									
	angular	0°	±2°	www.fci.com	cat. no.		Product - Customer Drw	sheet 1 of 4				

Part File - REV C - 2009-06-09

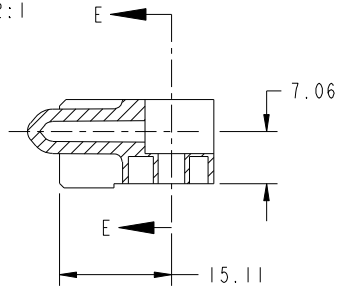


Copyright FCI.

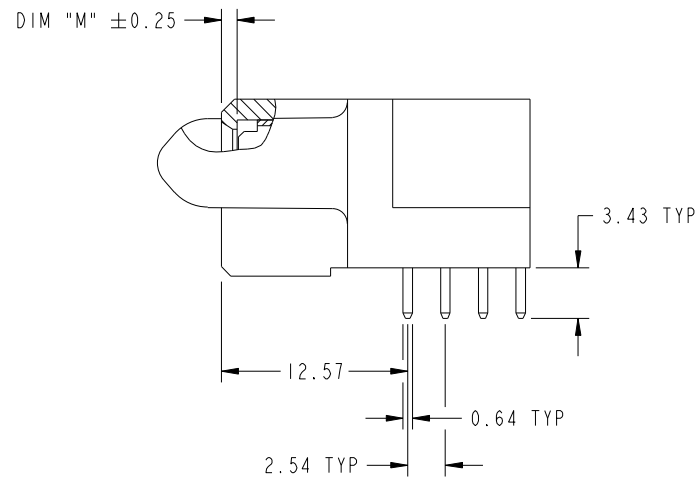
PRODUCT NUMBER
51915-381__
NOTE 3



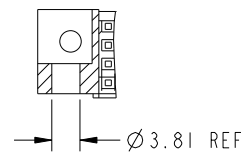
SECTION A-A
SCALE 2:1



SECTION C-C



BROKEN-OUT SECTION B-B
SCALE 2:1



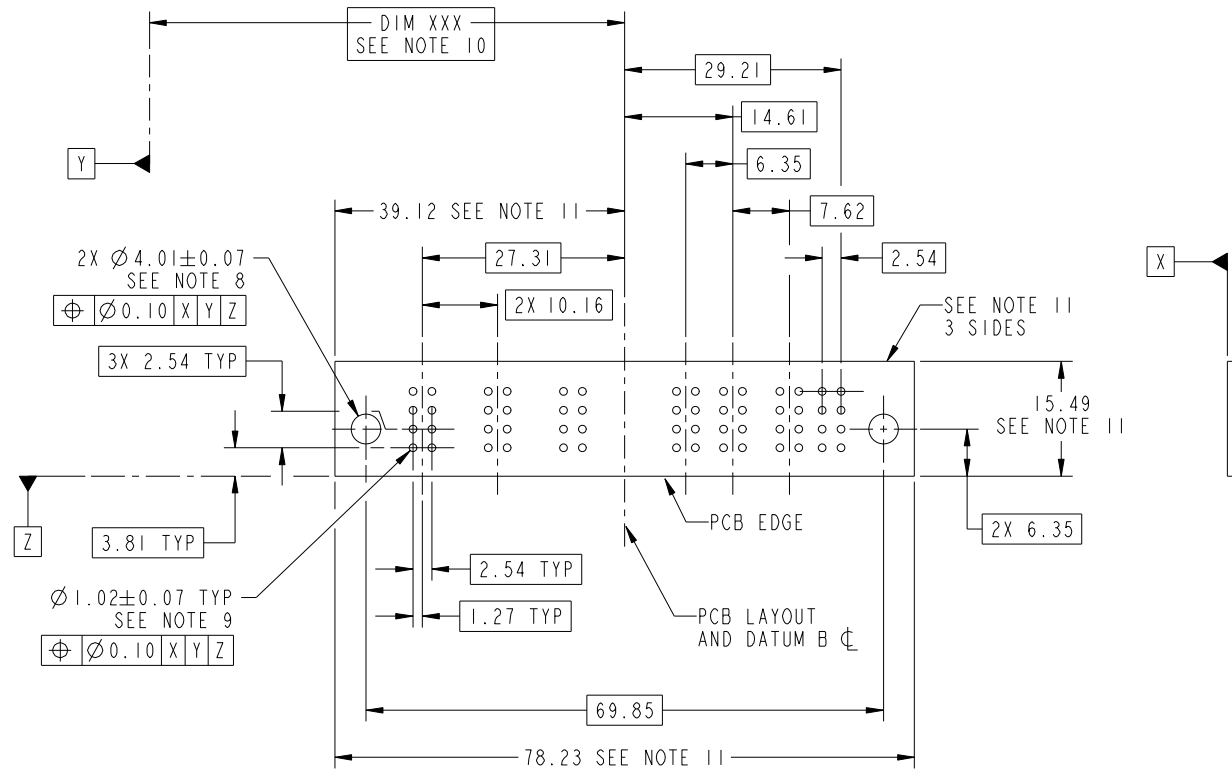
PARTIAL SECTION E-E



Copyright FCI.

dr	Weller Luo	2012-11-08	projection	MM	size	A4	scale	1:1
eng	Weller Luo	2012-11-14			ecn no	*		
chr	-	-						
appr	PM Zheng	2012-11-14	product family	PwrBlade	rel level	Released		
	title	8S+2ACP+1P+7DCP			dwg no	51915-381		rev
www.fci.com	cat. no.	R/A SOLDER RECEPTACLE					A	
				Product - Customer Drw		sheet 2 of 4		

PRODUCT NUMBER
51915-381__
NOTE 3



RECOMMENDED PCB LAYOUT



Copyright FCI.

dr	Weller Luo	2012-11-08	projection	MM	size	A4	scale	1:1
eng	Weller Luo	2012-11-14			ecn no	*		
chr	-	-			rel level	Released		
appr	PM Zheng	2012-11-14	product family	PwrBlade	rel level	Released		
	title	8S+2ACP+1P+7DCP		dwg no	51915-381		rev	A
www.fci.com	cat. no.	R/A SOLDER RECEPTACLE		Product - Customer Drw		sheet 3 of 4		

PRODUCT NUMBER

51915-381__
NOTE 3

NOTES:

1. DIMENSIONS AND TOLERANCES ARE IN ACCORDANCE WITH ASME Y14.5M, 1994 UNLESS OTHERWISE SPECIFIED.

CONNECTOR NOTES:

- 2. HOUSING MATERIAL: UL 94 V-0 GLASS FILLED HIGH-TEMP THERMOPLASTIC
POWER CONTACT MATERIAL: COPPER ALLOY
SIGNAL PIN MATERIAL: COPPER ALLOY
- 3. SEE ITEM 5 & 6 IN PRINT 10064183 FOR PLATING SPEC OF 51915-381 AND 51915-381LF RESPECTIVELY.
- 4. MANUFACTURER'S NAME, DATE CODE AND OPTIONAL P/N TO APPEAR ON THIS SURFACE. THE MARK CAN BE OMITTED IF THERE IS NOT ENOUGH SPACE ON THIS SURFACE.
- 5. PRODUCT SPECIFICATION GS-12-149.
APPLICATION SPECIFICATION BUS-20-067.
- 6. PACKAGED IN TRAYS.

PCB NOTES:

- 7. ALL HOLE DIAMETERS ARE FINISHED HOLE SIZE.
- 8. MOUNTING HOLES, WHERE APPLICABLE, ARE UNPLATED.
- 9. $\varnothing 1.151 \pm 0.025$ DRILLED HOLES PLATED WITH 0.008 MIN SnPb OR Sn OVER 0.03 TO 0.08 Cu PLATING TO ACHIEVE $\varnothing 1.02 \pm .07$ HOLE.
- 10. "DIM XXX" TO BE DETERMINED BY THE CUSTOMER.
- 11. CONNECTOR KEEP-OUT ZONE.
- 12. THE VOID CORING IN BETWEEN POWER MODULES, SIGNAL MODULES AND END MODULES ARE OPTIONAL AND THE SHAPE MAY BE DIFFERENT FOR OPTIMIZE THE MOLDING PROCESS. THE VOID CORING WILL NOT EFFECT TO PRODUCT FUNCTION.



C

Copyright FCI.

D

dr	Weller Luo	2012-11-08	projection 	MM 	size	A4	scale	1:1
eng	Weller Luo	2012-11-14			ecn no	*		
chr	-	-			rel level	Released		
appr	PM Zheng	2012-11-14	product family	PwrBlade	rel level	Released		
		title	8S+2ACP+1P+7DCP		dwg no	51915-381		rev
www.fci.com		cat. no.	R/A SOLDER RECEPTACLE		Product - Customer Drw		A	
					sheet 4 of 4			