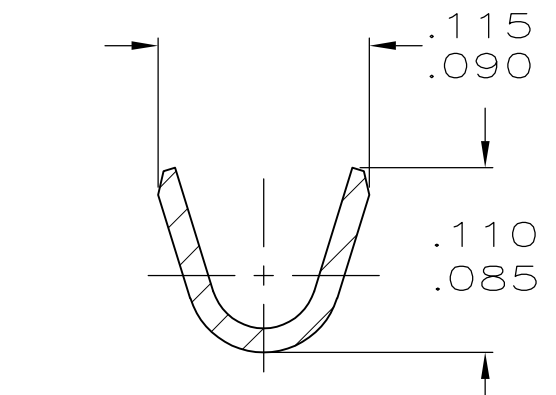
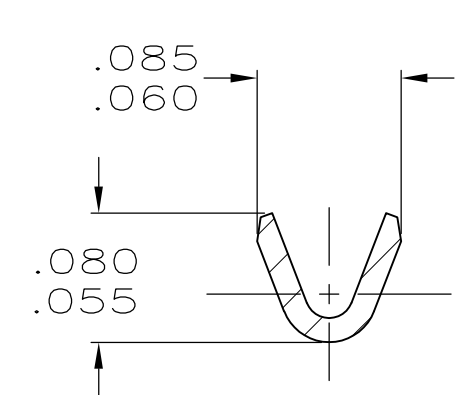
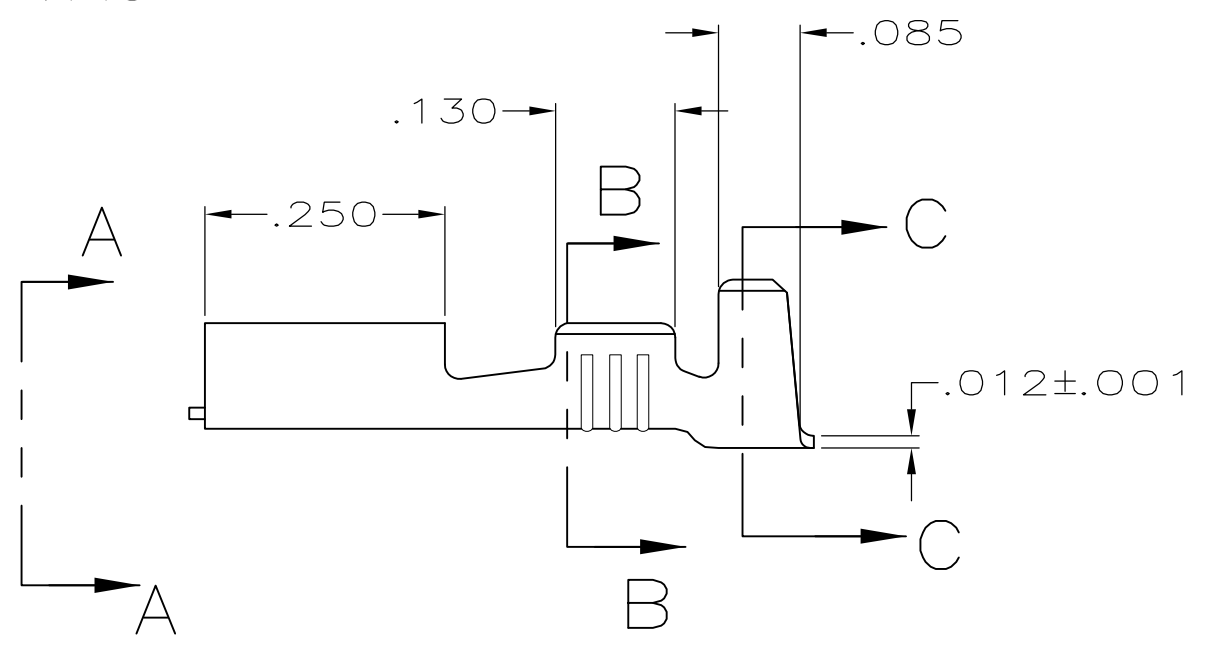
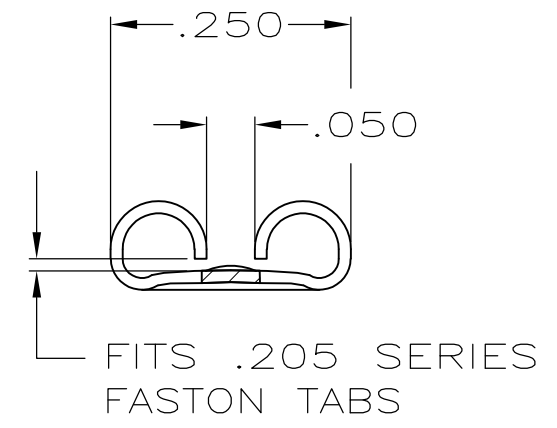
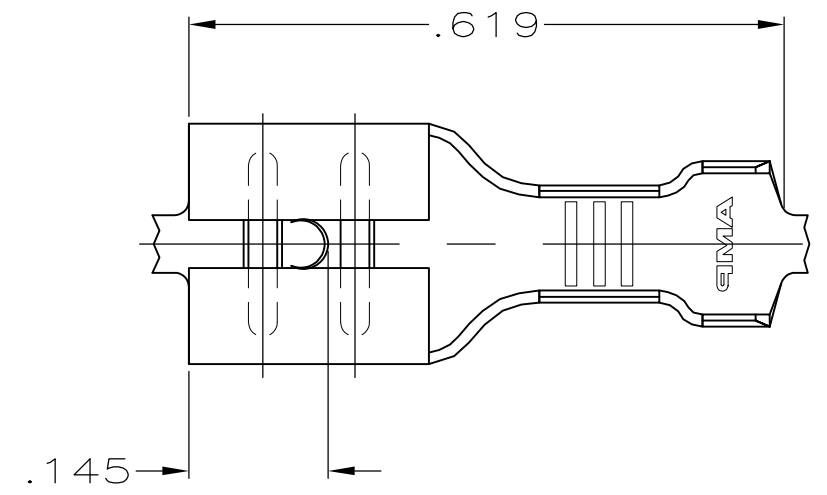


THIS DRAWING IS UNPUBLISHED. RELEASED FOR PUBLICATION
 © COPYRIGHT - By - ALL RIGHTS RESERVED.

LOC	DIST	REVISIONS			
P	LTR	DESCRIPTION	DATE	DWN	APVD
AF	50	F	REVISED PER ECR-12-013445	09NOV12	KH PD

- 1 CONTINUOUS STRIP ON REELS.
- 2 FEED TO BE $.689 \pm .005$



OBsolete

.050-.070 DIA	26-22 AWG	-	.020	60674-2
INSULATION RANGE		TIN	MATING TAB THK ± .001	60674-1
WIRE SIZE		FINISH	PART NUMBER	

THIS DRAWING IS A CONTROLLED DOCUMENT.		DWN JR RUTH 7/8/91	TE Connectivity RECEPTACLE, FASTON, .205 SERIES											
DIMENSIONS: INCHES		CHK MS FEHER 7/8/91												
TOLERANCES UNLESS OTHERWISE SPECIFIED:		APVD C MEYERS 7/8/91												
<table border="0"> <tr><td>0 PLC</td><td>± -</td></tr> <tr><td>1 PLC</td><td>± -</td></tr> <tr><td>2 PLC</td><td>± .010</td></tr> <tr><td>3 PLC</td><td>± -</td></tr> <tr><td>4 PLC</td><td>± -</td></tr> <tr><td>ANGLES</td><td>± -</td></tr> </table>		0 PLC				± -	1 PLC	± -	2 PLC	± .010	3 PLC	± -	4 PLC	± -
0 PLC	± -													
1 PLC	± -													
2 PLC	± .010													
3 PLC	± -													
4 PLC	± -													
ANGLES	± -													
MATERIAL BRASS	FINISH SEE TABLE	APPLICATION SPEC -	NAME	SIZE A3	CAGE CODE 00779	DRAWING NO C-60674	RESTRICTED TO -							
CUSTOMER DRAWING			SCALE 5:1	SHEET 1 OF 1	REV F									