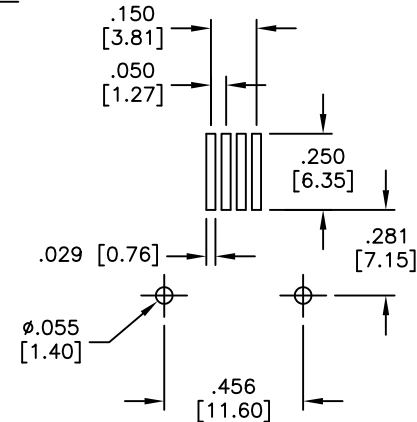
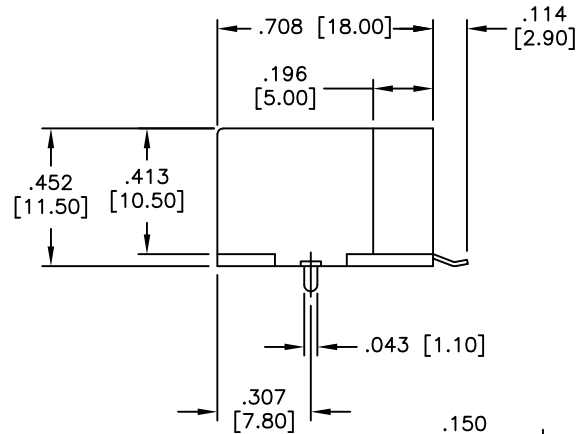
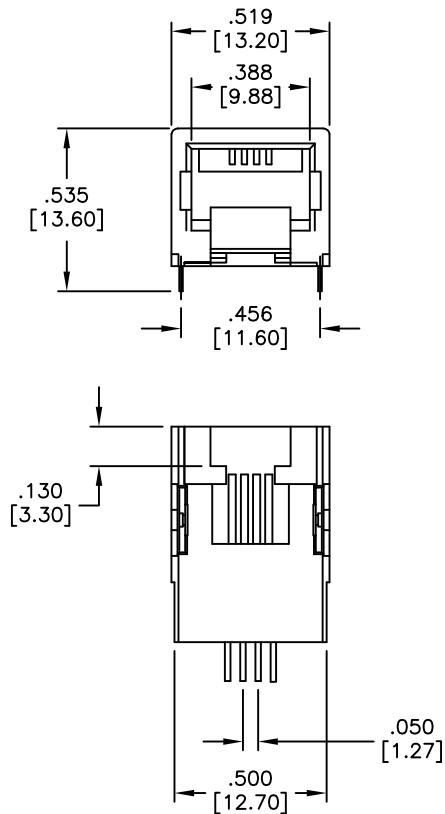


APPROVED: \_\_\_\_\_  
 DATE: \_\_\_\_\_ TITLE: \_\_\_\_\_

Rev	AWO #	Description	Date	Appr
-	7129	RELEASED	12/13/06	
A		UPDATE SPEC.	6/20/19	LH/TW



RECOMMENDED  
PCB LAYOUT

**SPECIFICATIONS:**

Material:  
 Insulator: Hi-temp thermoplastic, rated UL 94V-0  
 Insulator color: Black  
 Contacts: Phosphor Bronze  
 Contact Plating:  
 Gold over Nickel underplate on contact area  
 Gold flash over Nickel underplate on solder tails

Electrical:  
 Voltage Rating: 150 VAC max  
 Current rating: 1.5 Amps max  
 Contact Resistance: 20 mohms max.  
 Insulation resistance: 500 Mohms min @500 VDC  
 Dielectric withstanding voltage: 1000 Vrms for 1 minut  
 Temperature Rating:  
 Operating temperature: -40°C to +85°C  
 Environmental:  
 Lead free, RoHS compliant.  
 Environmental:  
 Lead free, RoHS compliant.



UNLESS OTHERWISE SPECIFIED ALL DIMENSIONS ARE MM [INCHES] TOLERANCES: EXCEPT AS NOTED		
INCHES		HOLES
.X ± .10	∅.X ± .10	
.XX ± .020	∅.XX ± .015	
.XXX ± .015	∅.XXX ± .010	
APPROVALS		DATE
DRAWN	BW	12/13/06
CHECKED		
APPROVED		

**ADAM TECH** INTERCONNECTS  
 909 Rahway Avenue,  
 Union, NJ 07083  
 Phone: 908-687-5000  
 Fax: 908-687-5710

TITLE  
TELEPHONE JACK, SMT, SIDE ENTRY,  
6P4C

SIZE X	PART NO. MTJ-64YX1	REV. A
REF: S00065T	SCALE: NTS	SHEET 1 OF 1