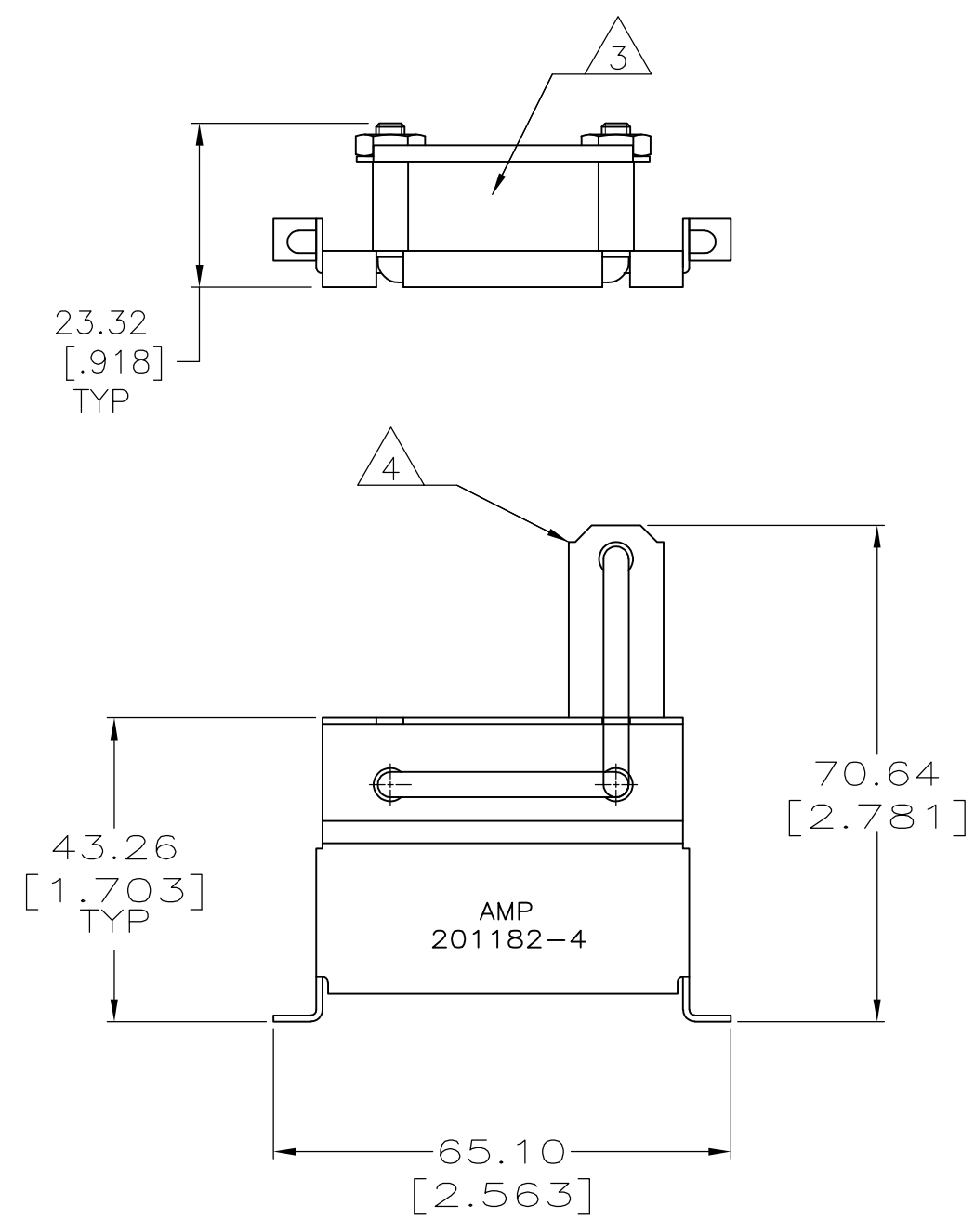
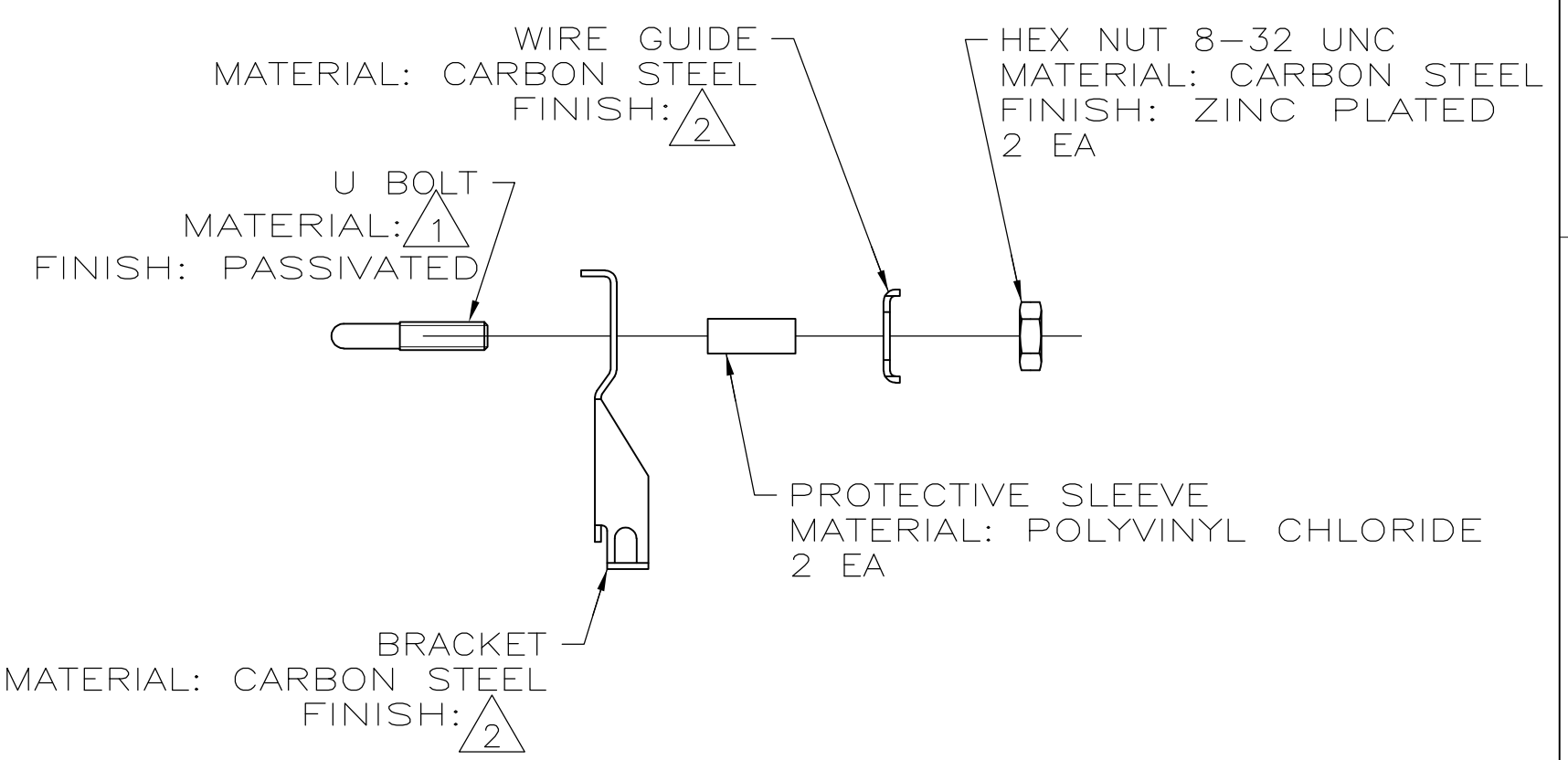


THIS DRAWING IS UNPUBLISHED. RELEASED FOR PUBLICATION  
 © COPYRIGHT - BY TYCO ELECTRONICS CORPORATION. ALL INTERNATIONAL RIGHTS RESERVED.

LOC	DIST	REVISIONS					
FT	0	P	LTR	DESCRIPTION	DATE	DWN	APVD
			N	REVISED PER ECO-10-021995	12JAN11	HMR	MG



ASSEMBLED VIEW



- 1 STAINLESS STEEL.
- 2 5.08um[.000200] MIN NICKEL.
- 3 384.52 SQ mm[.596 SQ IN] MAX CABLE AREA.
- 4 ALTERNATE POSITION OF CLAMP FOR 90° CABLE OUTLET.

201182-4	201182-1
PART NUMBER	

SUPERSEDED BY 201182-4

THIS DRAWING IS A CONTROLLED DOCUMENT.		DWN	C.REIFSNYDER	17 APR 96	Tyco Electronics Corporation Harrisburg, PA 17105-3608		
DIMENSIONS: mm [INCHES]		CHK	R.STONE	24 MAY 96	NAME		
TOLERANCES UNLESS OTHERWISE SPECIFIED:		APVD	G. STEINHAUER	21 JUN 96	CLAMP KIT, UNASSEMBLED, STRAIN RELIEF, 50 PLACE, M SERIES		
0 PLC ± -		PRODUCT SPEC	-		SIZE	CAGE CODE	DRAWING NO
1 PLC ± -		APPLICATION SPEC	-		A3	00779	C-201182
2 PLC ± 0.38[.015]		WEIGHT	-		RESTRICTED TO		
3 PLC ± -		CUSTOMER DRAWING		SCALE	2:1	SHEET	1 OF 1
4 PLC ± -		SEE CALLOUTS		REV		N	
ANGLES ± -		SEE CALLOUTS					
MATERIAL		SEE CALLOUTS					