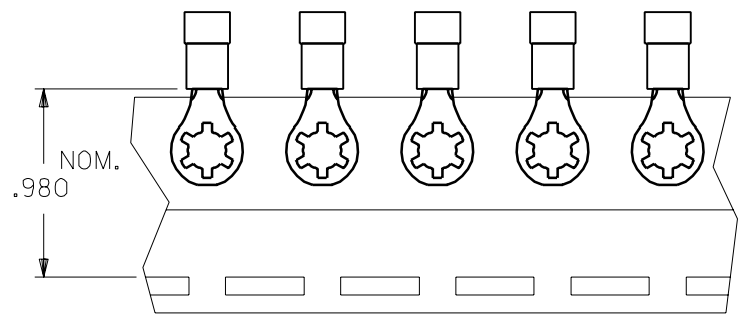
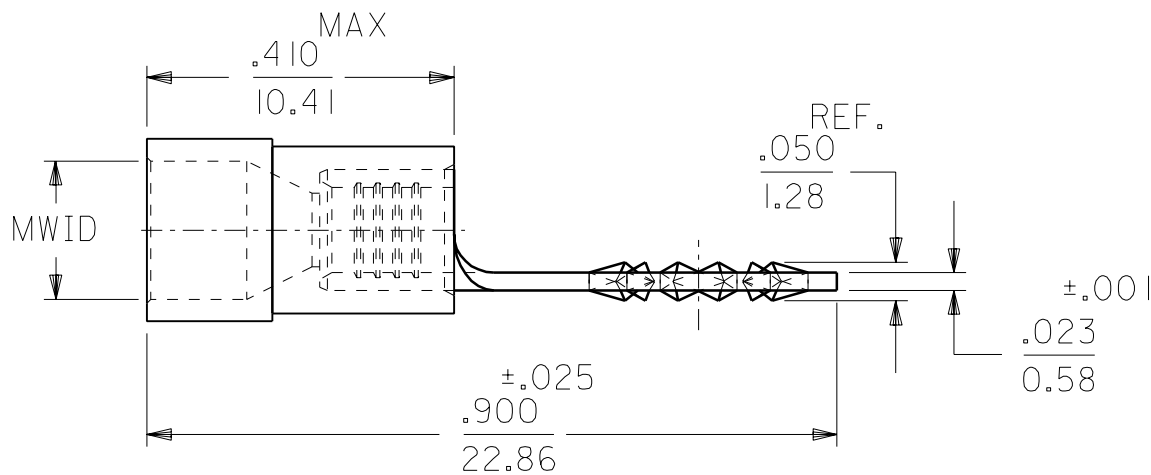


| STUD SIZE | ±.007 "S" DIA. | REF. "K" DIA. |
|-----------|----------------|---------------|
| #6 | .146 | .236 |
| #8 | .173 | .263 |
| #10 | .198 | .288 |



TO ORDER PARTS ON TAPE ADD A "T" TO THE END OF THE PART NUMBER

INSULATION MATERIAL: PVC
 INSULATION COLOR: SEE TABLE
 TERMINAL MATERIAL: SEE CHART
 TERMINAL PLATING: ELECTRO-TIN

MWID=MAXIMUM WIRE INSULATION DIAMETER

| PART NO. BRASS | PART NO. STEEL | WIRE RANGE AWG / MM ² | INSULATION COLOR | I.D. MIN. | MWID * |
|----------------|----------------|----------------------------------|------------------|-----------|-----------|
| SRA-229- | SRA-S-229- | 22-18/.25-1.3 | RED | .062/1.57 | .145/3.68 |
| SRB-229- | SRB-S-229- | 16-14/1.0-2.6 | BLUE | .086/2.18 | .175/4.42 |

| | |
|------|---------------------------------|
| A | SEE DCN# 764 10/07/91 RCM |
| LTR. | REVISIONS |

REVISE ONLY ON CAD SYSTEM
 TITLE
 INSULKRIMP
 STAR RING TONGUE
 TERMINALS

**CUSTOMER
DRAWING**

| | | | |
|--------------|---|--|------|
| DRWG. BY RCM | molex ETC INC. PINELLAS PARK, FLA. 34665 U.S.A. | SHEET NO. | DATE |
| CHK'D. BY JM | | 09/05/91 | |
| APP'D. BY FP | PART NO. SEE TABLE | DRWG. NO. CD-2115 | |
| SCALE NO:NE | FILE NAME CD2115 | THIS DRAWING CONTAINS INFORMATION THAT IS PROPRIETARY TO MOLEX-ETC INC. AND SHOULD NOT BE USED WITHOUT WRITTEN PERMISSION. | |

| | |
|------|------|
| DIV. | SIZE |
| | A |