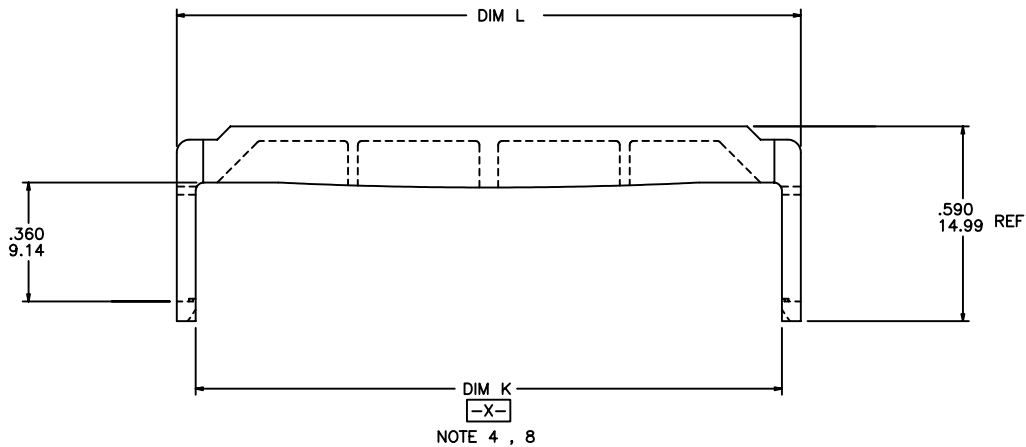
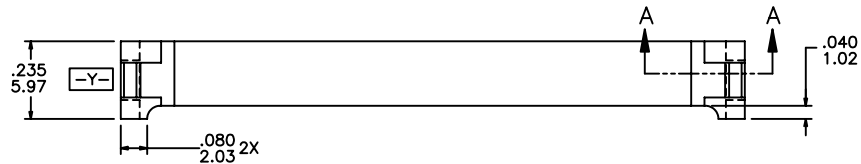
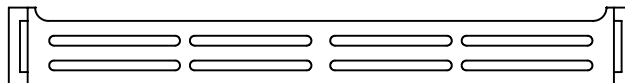
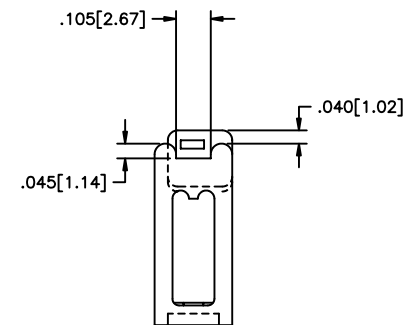


PRODUCT NUMBER

SEE TABLE



NOTE 4, 8



NOTE:

- 1 ADD "LF" SUFFIX AT THE END OF PART NUMBER FOR LEAD FREE OPTION.
- 2 IF "LF" P/N THE PRODUCT MEETS EUROPEAN UNION DIRECTIVES AND OTHER COUNTRY REGULATION AS DESCRIBED IN GS-22-008.
- 3 THE HOUSING WILL WITHSTAND EXPOSURE TO 260° PEAK TEMPERATURE FOR 15 SECONDS IN A WAVE SOLDER APPLICATION WITH A 1.5mm MINIMUM THICK CIRCUIT BOARD. SEE APPLICATION NOTES/PROCEDURES IF THEY ARE AVAILABLE.

| REVISIONS | | | | SHEET INDEX | ISSUE | | B | | B | | | | | | | | | | | | |
|-----------|----------|------|---------|-------------|--------|---|---|--|---|--|--|--|--|--|--|--|--|--|--|--|--|
| REV | ECN/DDR# | BY | DATE | | SH NO. | 1 | 2 | | | | | | | | | | | | | | |
| A | NEW | DEW | 5/22/89 | | | | | | | | | | | | | | | | | | |
| B | V71195 | SAR | 10/1/97 | | | | | | | | | | | | | | | | | | |
| C | N06-0112 | LONG | 4/18/06 | | | | | | | | | | | | | | | | | | |

| | | | | | | | |
|---------------------------------------|-------------------------|----------------|------|---|---------|---------|---------------|
| TOLERANCES UNLESS OTHERWISE SPECIFIED | | MAT | DR | D | WHITING | DATE | CUSTOMER COPY |
| .00±.01 / .00±.3 | | FINISH | ENGR | M | SMYK | 5/22/89 | |
| LINEAR | .000±.005 / .00±.13 | PRODUCT FAMILY | CHK | M | SMYK | 5/22/89 | |
| | .0000±.0020 / .000±.051 | QKE | APPD | M | SMYK | 5/22/89 | |
| ANGLES | 0°± | | | | | | |

BERG
ELECTRONICS

TITLE
SPL STRAIN RELIEF
QUICKIE II

SCALE SIZE DWG. NO. SHEET
5/11/06 658731 1 OF 2

