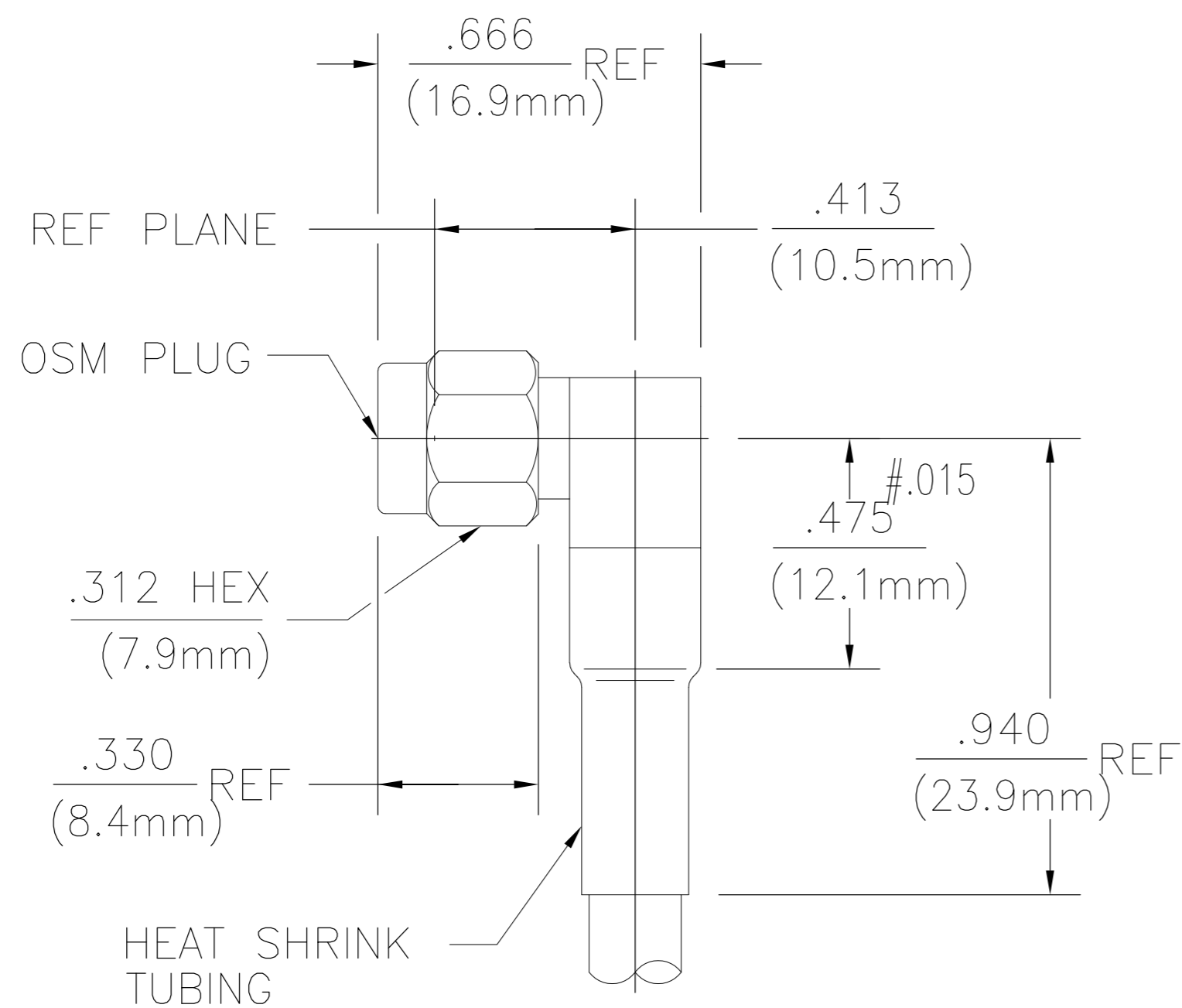


THIS DRAWING IS UNPUBLISHED. RELEASED FOR PUBLICATION
 © COPYRIGHT - By - ALL RIGHTS RESERVED.

DESIGNED FOR USE WITH
 RG180/U & 195 CABLES
 CABLE ENTRY DIAMETER
 MINIMUM
 HOUSING .105
 CONTACT .025

LOC	DIST	REVISIONS			
P	LTR	DESCRIPTION	DATE	DWN	APVD
AJ	00	C	ECO-13-005313	01APR13	MS DW

1 GROUP A & B TESTING PER MIL-PRF-39012 REQUIRED.



NOTE	PART NUMBER
1	1052080-2
-	1052080-1

COMPONENT	MATERIAL	FINISH
COUPLING NUT HOUSING CAP	STAINLESS STEEL PER ASTM-A484 AND ASTM- A582, TYPE 303	GOLD PLATE PER MIL-G-45204 OVER NICKEL PLATE PER QQ-N-290
DIELECTRIC	TFE FLUOROCARBON PER ASTM-D-1457	N/A
CENTER CONTACT	BERYLLIUM COPPER PER ASTM B 196, ALLOY C17300, CONDITION H OR BRASS PER ASTM-B-16	GOLD PLATE PER MIL-G-45204 OVER COPPER PLATE PER MIL-C-14550
RETAINING RING	BERYLLIUM COPPER PER ASTM B 194, ALLOY C17200, CONDITION H	N/A
GASKET	SILICONE RUBBER PER ZZ-R-765	N/A
FERRULE	SOFT COPPER ALLOY	GOLD PLATE PER MIL-G-45204 OVER COPPER PLATE PER MIL-C-14550
SHRINK TUBING	HEAT SHRINKABLE POLYOLEFIN COMPOUND MIL-I-23053/4	N/A

ELECTRICAL	MECHANICAL	ENVIRONMENTAL
Nominal Impedance (Ohms) 50	Interface Dimensions MIL-STD-348A, Fig. 310.1	TEMPERATURE RATING -65°C TO +125°C
Frequency Range (GHz) DC to 3.0	Recommended Mating	Vibration MIL-STD-202, Method 204, Condition D
Volt Rating (VRMS MAX) @ Sea Level 250	Torque 7 to 10 In/Lbs	Shock MIL-STD-202, Method 213, Condition I
RF Leakage (dB MIN) -[60 -f(GHz)]	Force to Engage and Disengage (In/Lbs MAX) 2.0	Thermal Shock MIL-STD-202, Method 107, Condition B, EXCEPT HIGH TEMP +85°C
Corona, 70,000 Ft (VRMS MIN) 190	Center Contact Captivation	Moisture Resistance MIL-STD-202, Method 106, Except Vibration
Dielectric Withstanding Voltage (VRMS MIN) @ Sea Level 750	Axial (Lbs) 6.0	Shall Be Omitted
Contact Resistance (Milliohms MAX)	Radial (In/Oz) 4.0	Corrosion - MIL-STD-202, Method 101, Condition B, 5% salt spray
Center Contact 2.0	Cable Retention	
Outer Contact 2.0	Axial Force (Lbs) 2.5	
Cable to Housing 0.5	Weight (Grams) 4.6	
RF High Potential @ Sea Level (VRMS MIN @ 5 MHz) 500		
I.R.(Megohms MIN) 10,000		

THIS DRAWING IS A CONTROLLED DOCUMENT. DWN E.J.C 12/9/68
 CHK -
 APVD S.T.M 2/21/91
 PRODUCT SPEC -
 APPLICATION SPEC -
 WEIGHT -
 CUSTOMER DRAWING

STE TE Connectivity

NAME OSM RIGHT ANGLE CABLE
 PLUG-CRIMP ATTACHMENT

SIZE A2 CAGE CODE 00779 DRAWING NO C=1052080 RESTRICTED TO -
 SCALE 2:1 SHEET 1 of 1 REV C