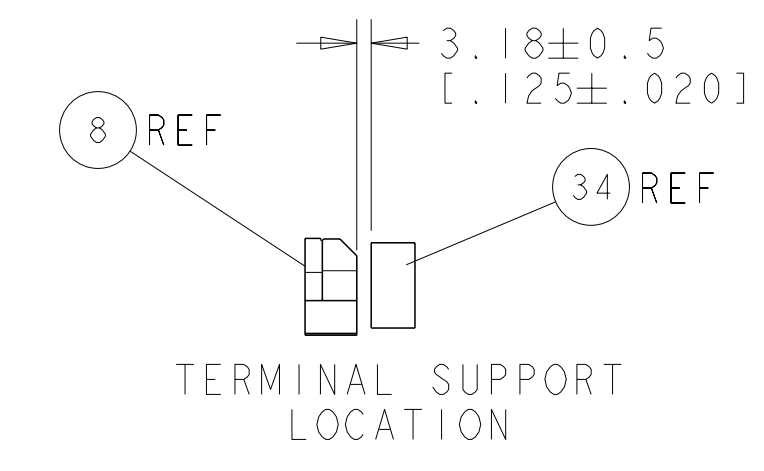
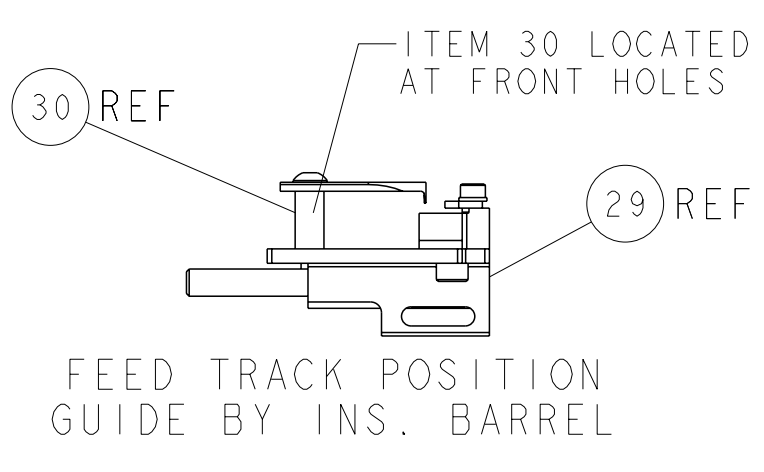
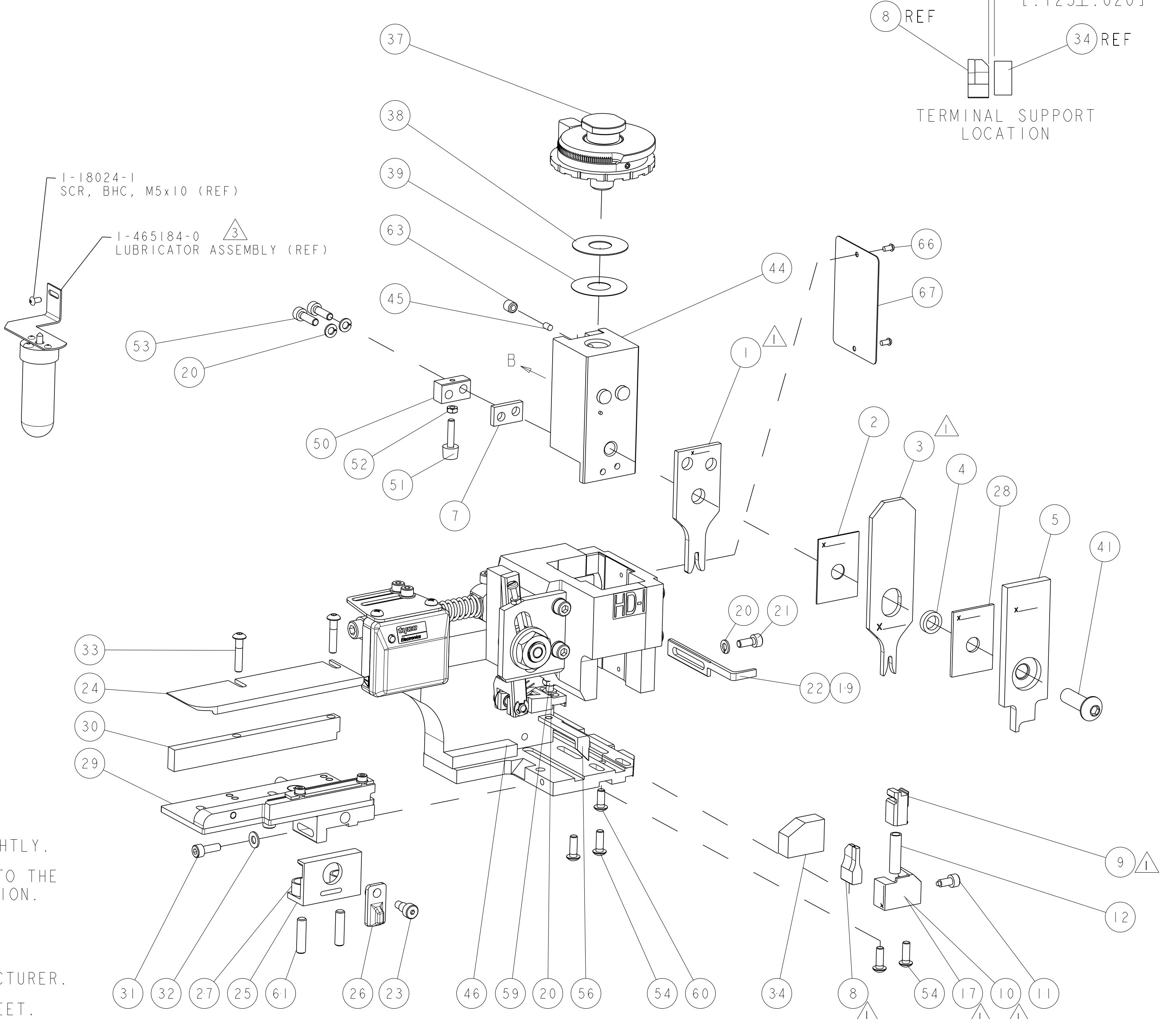
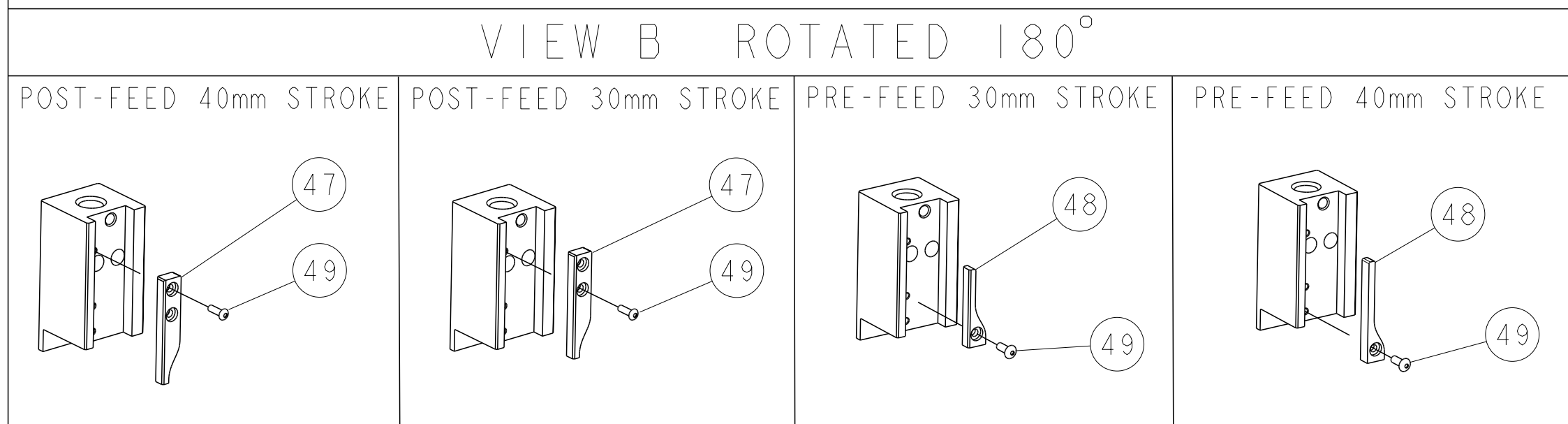


PART NUMBER	REV	TERMINATOR	FEED TYPE	DESCRIPTION
1528861-1	B	LEADMAKER	MECH POST FEED	CUTS CARRIER
1528861-2	B	BENCH	MECH PRE FEED	CUTS CARRIER
1528861-6	B	LEADMAKER	MECH POST FEED	CONTINUOUS CARRIER
7-1528861-1	B	LEADMAKER	MECH POST FEED	-1 AND SPARE PARTS
7-1528861-2	B	BENCH	MECH PRE FEED	-2 AND SPARE PARTS
7-1528861-6	B	LEADMAKER	MECH POST FEED	-6 AND SPARE PARTS
7-1528861-7	A	-	-	SPARE PARTS KIT

CRIMP DATA	MOLEX TERMINAL	MOLEX CRIMP SPECS	
TERMINAL NAME: FEMALE CLIP CP 1.5			
CRIMP	SIZE	TYPE	RANGE
WIRE	2.03 (.080 IN)	F 6	0.50-1.00mm ²
INSUL	2.54 (1.00 IN)	O 6	1.45-2.10 (.057-.083 IN)
WIRE STRIP LENGTH 4.50 (.177 IN)		APPL INSTRUCTIONS 408-8322 & 408-8490	
TERMINAL MOLEX DATA SHT APPL SPEC RSD-98915-001		FEED 9.20 (.362 IN)	
TERMINALS APPLIED			
TE TERM PN	MANUF TERM PN		
1949249-1	98915-1029	-	-
1949249-2	98915-1319	-	-
1949249-3	64323-1029	-	-
1949249-4	64323-1319	-	-
WIRE SIZE	CRIMP HEIGHT	REF SETTING	
1.00mm ²	1.32 ± 0.05 (.052 ± .002 IN)	C 3	
0.75mm ²	1.25 ± 0.05 (.049 ± .002 IN)	C 9	
0.60mm ²	1.20 ± 0.05 (.047 ± .002 IN)	D 2	
0.50mm ²	1.15 ± 0.05 (.045 ± .002 IN)	D 7	

- △ RECOMMENDED SPARE PARTS.
- 2. GREASE RAM, CAM, CAM FOLLOWER AND FEED ROD LIGHTLY.
- △ CERTAIN TERMINALS REQUIRE LUBRICATION. REFER TO THE APPLICATOR INSTRUCTION SHEET FOR MORE INFORMATION.
- 4. LUBRICATE DAILY PER THE APPLICATOR INSTRUCTION SHEET SUPPLIED WITH THE APPLICATOR.
- △ ALL CRIMP DATA SUPPLIED BY THE TERMINAL MANUFACTURER.
- △ CRIMP TOOLING MAY NOT CONFORM TO MOLEX DATA SHEET.

*** WARNING**
ON INSTALLATION, SET WIRE DISC TO LARGEST WIRE SIZE SETTING. USE OF SETTINGS BELOW MIN. REQUIRED CRIMP HEIGHT SETTING WILL CAUSE DAMAGE TO CRIMP TOOLING.



LOC	DIST	REV	DATE	BY	CHK
A	66		07DEC2007	LJL	MC
B			30APR2010	MY	GB

REV	DATE	DESCRIPTION	ITEM NO					
-	-	-	73					
-	-	-	72					
-	1	1	1	1	1	1338705-3	DOCUMENTATION PACKAGE	71
-	-	-	-	-	-	-	-	70
-	-	-	-	-	-	-	-	69
-	-	-	-	-	-	-	-	68
-	1	1	1	1	1	461264-5	PLATE, IDENTIFICATION	67
-	2	2	2	2	2	21017-2	SCREW, DRIVE	66
-	-	-	-	-	-	-	-	65
-	-	-	-	-	-	-	-	64
-	1	1	1	1	1	3-18031-0	SCR, SET, CUP POINT M6 X 6.0	63
-	-	-	-	-	-	-	-	62
-	2	2	2	2	2	2-18032-5	SCR, SET, FLT POINT M5 X 20.0	61
-	1	1	1	1	1	18024-7	SCR, BTN SKT HD CAP (M4 X 10.0)	60
-	1	1	1	1	1	5-18022-2	SCR, HEX HD CAP M4 X 8.0	59
-	-	-	-	-	-	-	-	58
-	-	-	-	-	-	-	-	57
-	1	1	1	1	1	1338685-1	PAWL, FEED	56
-	-	-	-	-	-	-	-	55
-	4	4	4	4	4	18024-8	SCR, BTN SKT HD CAP (M4 X 12.0)	54
-	2	2	2	2	2	9-18023-6	SCR, SKT HD CAP M4 X 14.0	53
-	1	1	1	1	1	18030-1	NUT, HEX, REG M3	52
-	1	1	1	1	1	811242-5	BUMPER, HOLD DOWN	51
-	1	1	1	1	1	690753-2	SPACER, TONKER	50
-	1	1	1	1	1	18024-3	SCR, BTN SKT HD CAP (M3 X 10.0)	49
-	1	1	1	1	1	1338675-1	CAM, UNIVERSAL PRE FEED	48
-	1	1	1	1	1	1338676-1	CAM, UNIVERSAL POST-FEED	47
-	1	1	1	1	1	1320999-3	APPLICATOR SUBASSEMBLY, HDI	46
-	1	1	1	1	1	690191-1	PLUG, NYLON	45
-	1	1	1	1	1	1338660-1	RAM	44
-	-	-	-	-	-	-	-	43
-	-	-	-	-	-	-	-	42
-	1	1	1	1	1	2-18024-6	SCR, BTN SKT HD CAP (M8 X 25.0)	41
-	-	-	-	-	-	-	-	40
-	1	1	1	1	1	690125-1	SHIM SUB-ASSY	39
-	1	1	1	1	1	469367-9	SHIM	38
-	1	1	1	1	1	879103-3	FINE ADJUST HEAD ASSEMBLY	37
-	-	-	-	-	-	-	-	36
-	-	-	-	-	-	-	-	35
-	1	1	1	1	1	1-1320934-6	SUPPORT, TERMINAL	34
-	2	2	2	2	2	1-18024-0	SCR, BTN SKT HD CAP (M4 X 20.0)	33
-	1	1	1	1	1	18027-2	WASHER, FLAT, REG M4	32
-	1	1	1	1	1	1-18023-2	SCR, SKT HD CAP M4 X 12.0	31
-	1	1	1	1	1	1320908-1	SPACER, STRIP GUIDE	30
-	1	1	1	1	1	1633073-1	STRIP GUIDE ASSEMBLY	29
-	1	1	1	1	1	1-455888-5	SPACER, CRIMPER	28
-	2	2	2	2	2	1-22284-0	SPRING, COMPRESSION	27
-	1	1	1	1	1	356835-1	LEVER, DRAG RELEASE	26
-	1	1	1	1	1	240792-1	DRAG, TERMINAL	25
-	1	1	1	1	1	1320928-1	PLATE, STRIP GUIDE	24
-	1	1	1	1	1	980371-4	SCR, SKT HD SHLDR 5.0 DIA X 6.0	23
-	1	1	1	1	1	690472-2	STRIPPER	22
-	1	1	1	1	1	1-18023-1	SCR, SKT HD CAP M4 X 10.0	21
-	4	4	4	4	4	18025-2	WASHER, SPRG LOCK, REG M4	20
-	1	1	1	1	1	690472-1	STRIPPER	19
-	-	-	-	-	-	-	-	18
-	1	1	1	1	1	1338684-1	SHEAR HOLDER, FRONT	17
-	-	-	-	-	-	-	-	16
-	-	-	-	-	-	-	-	15
-	-	-	-	-	-	-	-	14
-	-	-	-	-	-	-	-	13
-	1	1	1	1	1	3-22280-3	SPRING, COMPRESSION	12
-	1	1	1	1	1	356885-4	STOP, SHEAR	11
-	1	1	1	1	1	1320921-1	SHEAR HOLDER, FRONT, CUT	10
-	1	1	1	1	1	1-454276-9	FLOATING SHEAR, FRONT	9
-	1	2	2	2	2	4-1633131-7	ANVIL, COMBINATION .080	8
-	1	1	1	1	1	240641-5	SPACER	7
-	-	-	-	-	-	-	-	6
-	1	1	1	1	1	1-455889-4	DEPRESSOR, SHEAR	5
-	1	1	1	1	1	238011-2	BLOCK, CRIMPER SPACER	4
-	1	2	2	2	2	4-456135-8	CRIMPER, INSULATION O PREMIUM	3
-	1	1	1	1	1	455888-6	SPACER, CRIMPER	2
-	1	2	2	2	2	2-456405-4	CRIMPER, WIRE PREMIUM	1

REV	DATE	DESCRIPTION	ITEM NO
-	-	-	84
-	-	-	83
-	-	-	82
-	-	-	81
-	-	-	80
-	-	-	79
-	-	-	78
-	-	-	77
-	-	-	76
-	-	-	75
-	-	-	74
-	-	-	73
-	-	-	72
-	-	-	71
-	-	-	70
-	-	-	69
-	-	-	68
-	-	-	67
-	-	-	66
-	-	-	65
-	-	-	64
-	-	-	63
-	-	-	62
-	-	-	61
-	-	-	60
-	-	-	59
-	-	-	58
-	-	-	57
-	-	-	56
-	-	-	55
-	-	-	54
-	-	-	53
-	-	-	52
-	-	-	51
-	-	-	50
-	-	-	49
-	-	-	48
-	-	-	47
-	-	-	46
-	-	-	45
-	-	-	44
-	-	-	43
-	-	-	42
-	-	-	41
-	-	-	40
-	-	-	39
-	-	-	38
-	-	-	37
-	-	-	36
-	-	-	35
-	-	-	34
-	-	-	33
-	-	-	32
-	-	-	31
-	-	-	30
-	-	-	29
-	-	-	28
-	-	-	27
-	-	-	26
-	-	-	25
-	-	-	24
-	-	-	23
-	-	-	22
-	-	-	21
-	-	-	20
-	-	-	19
-	-	-	18
-	-	-	17
-	-	-	16
-	-	-	15
-	-	-	14
-	-	-	13
-	-	-	12
-	-	-	11
-	-	-	10
-	-	-	9
-	-	-	8
-	-	-	7
-	-	-	6
-	-	-	5
-	-	-	4
-	-	-	3
-	-	-	2
-	-	-	1