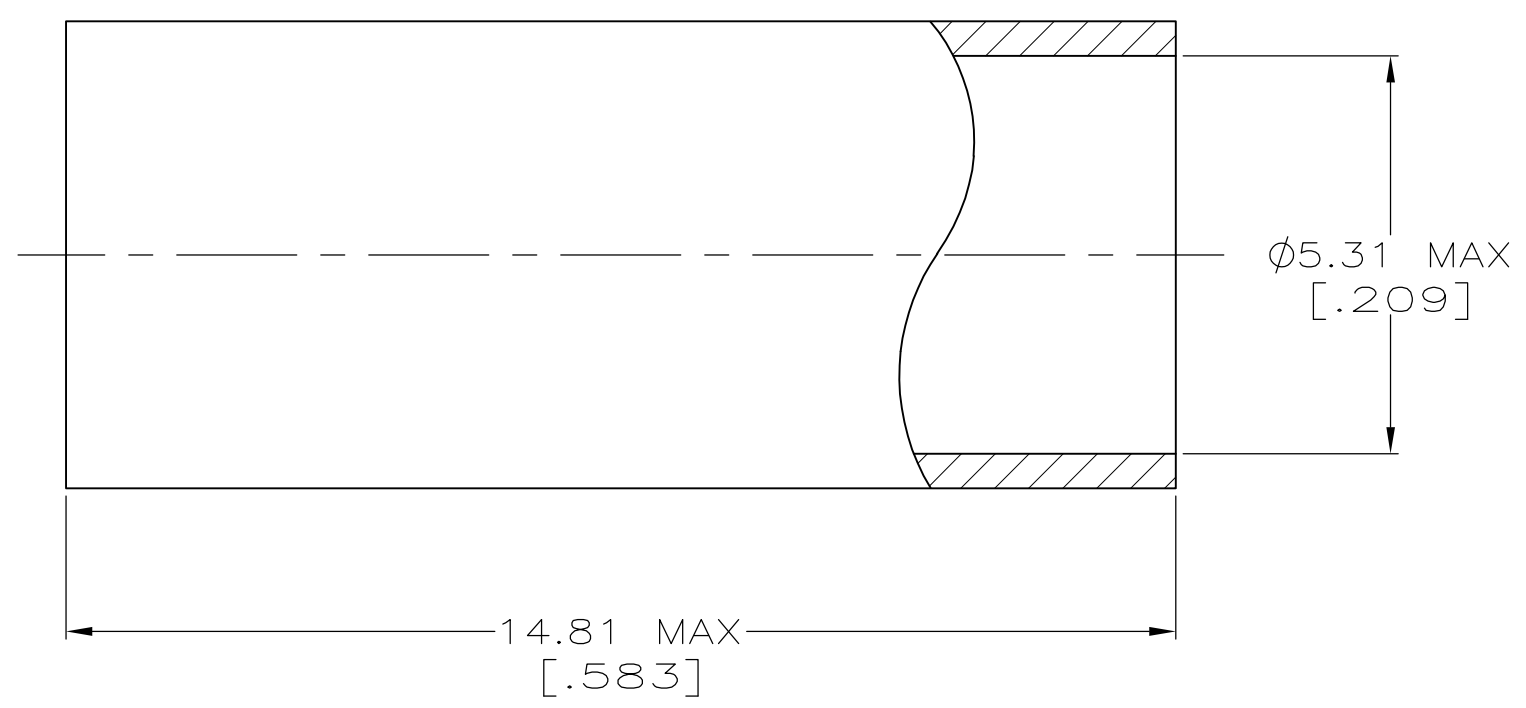


THIS DRAWING IS UNPUBLISHED. RELEASED FOR PUBLICATION
 © COPYRIGHT BY TYCO ELECTRONICS CORPORATION. ALL RIGHTS RESERVED.

LOC	DIST	REVISIONS					
		P	LTR	DESCRIPTION	DATE	DWN	APVD
AJ	16		K	REVISED PER ECO-10-008441	22MAY10	HMR	KW



- 1. COPPER ALLOY
- △2 SILVER PLATE PER QQ-S-365, 5.08 μm [.000200] MIN THICKNESS
- △3 TIN-LEAD PLATE PER ASTM B 545, 2.54 μm [.000100] MIN THICKNESS, WITH SUPPLEMENTAL ANTI FRETTING LUBRICANT
- △4 MATTE TIN PLATE PER MIL-T-10727, 2.54 μm [.000100] MIN THICKNESS, WITH SUPPLEMENTAL ANTI FRETTING LUBRICANT
- △5 NON-MAGNETIC

FINISH	PART NUMBER
△4	9-225381-0
△5 △2	225381-7
△3	225381-3
△2	225381-2

THIS DRAWING IS A CONTROLLED DOCUMENT.		DWN MICHAEL E. COWHER 14NOV95	Tyco Electronics Corporation Harrisburg, PA 17105-3608	
DIMENSIONS: mm [INCHES]	TOLERANCES UNLESS OTHERWISE SPECIFIED:	CHK FRANK MORANA 14NOV95	NAME FERRULE	
	0 PLC ± -	APVD FRANK MORANA 14NOV95	PRODUCT SPEC	
	1 PLC ± -	PRODUCT SPEC	-	
	2 PLC ± -	APPLICATION SPEC	-	
	3 PLC ± -	WEIGHT	-	
	4 PLC ± -	CUSTOMER DRAWING	SIZE A3	CAGE CODE 00779
	ANGLES ± -		DRAWING NO G-225381	RESTRICTED TO
MATERIAL SEE NOTES	FINISH SEE NOTES		SCALE 10:1	SHEET 1 OF 1
				REV K