

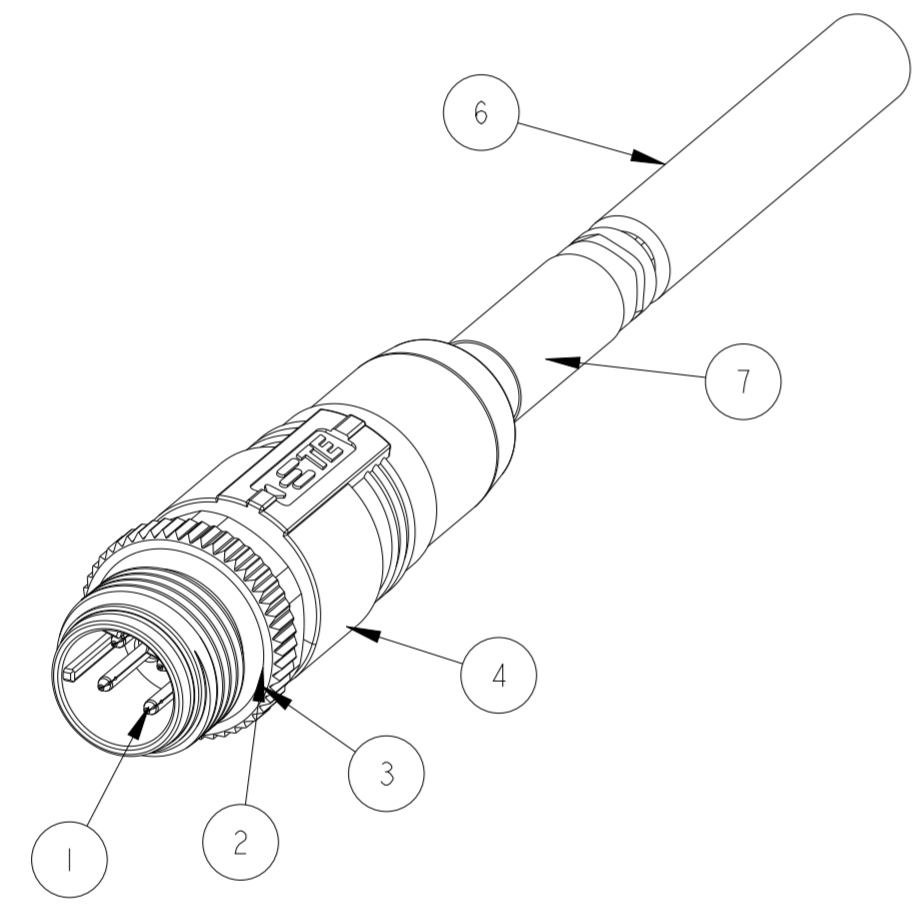
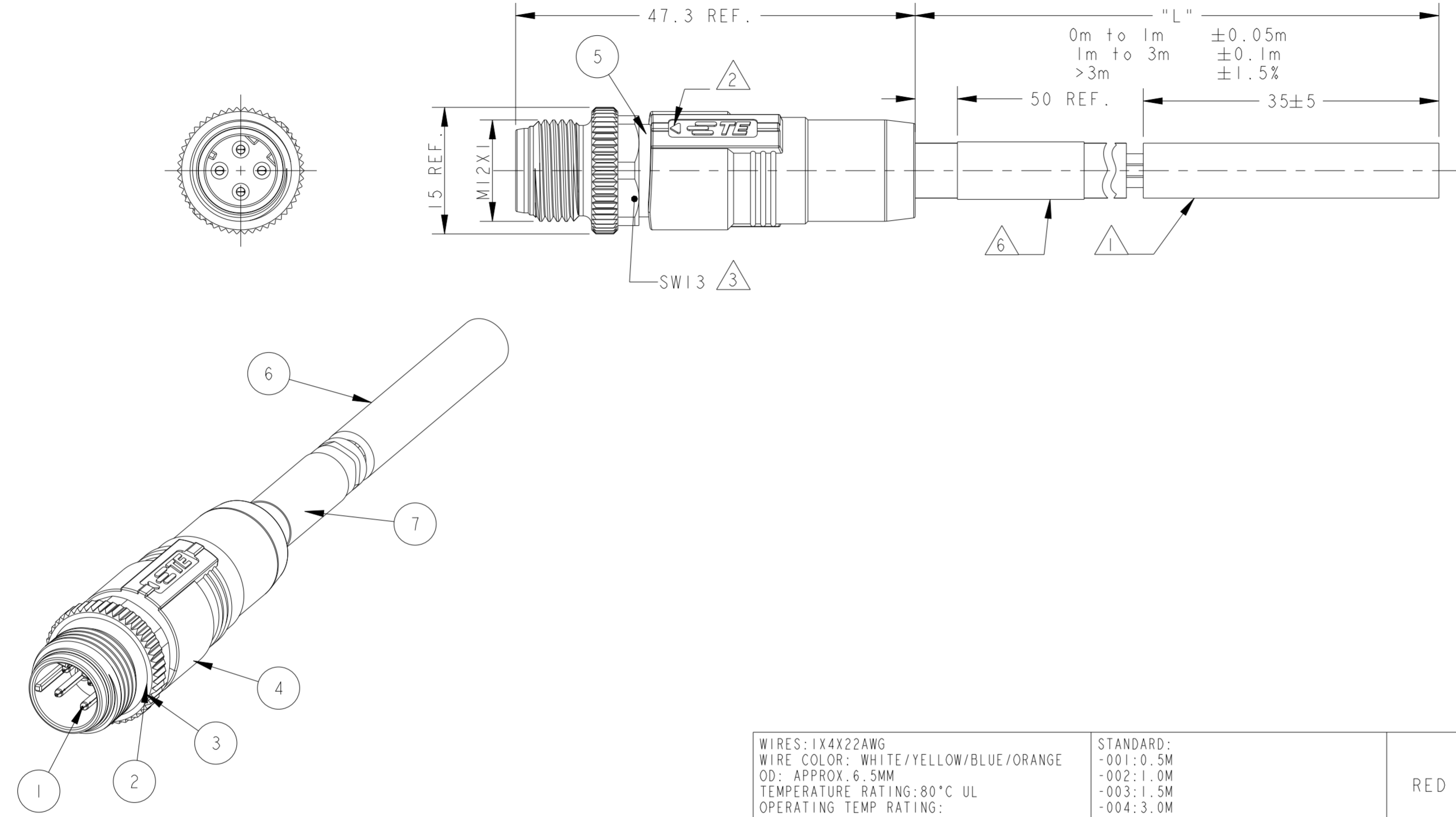
THIS DRAWING IS UNPUBLISHED. RELEASED FOR PUBLICATION 20
 © COPYRIGHT 20 BY - ALL RIGHTS RESERVED.

ITEM	DESCRIPTION	MATERIAL	OTHERS
1	MALE CONTACT	COPPER ALLOY	GOLD PLATED
2	HOUSING	NYLON	BLACK
3	COUPLING NUT	COPPER ALLOY	NICKEL PLATED
4	OVER-MOLDING	TPU/PVC	BLACK
5	SHIELDED SHELL	COPPER ALLOY	NICKEL PLATED
6	CABLE	-	-
7	LABEL	-	-

REVISIONS				
P	LTR	DESCRIPTION	DATE	APVD
	A	INITIAL RELEASE	08JUN2021	BP CW

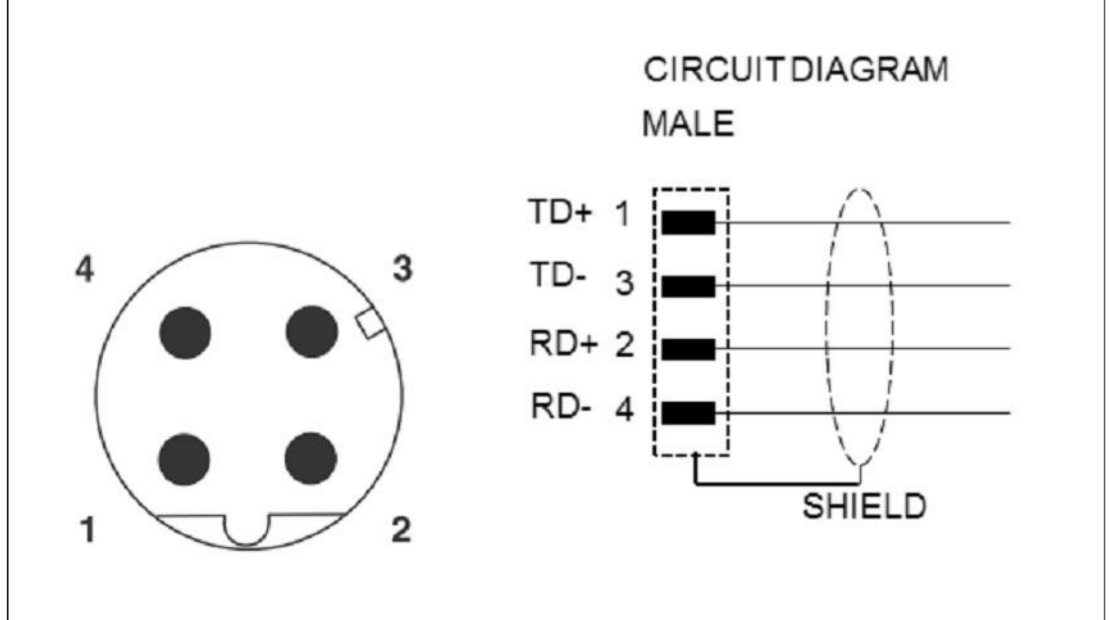
NOTE:
 ①. STRIP AND RETAIN THE INSULATION
 ②. CODE POSITION INDICATOR
 ③. RECOMMENDED TORQUE 0.6 Nm
 ④. -** : CABLE LENGTH, FOR EXAMPLE: -0.5M
 ⑤. CABLE ASSEMBLY TO BE PACKAGED IN POLYBAGS
 ⑥. LABEL CONTAINS: PN, DATE CODE...

注释:
 ①. 剥线并保留护套绝缘层
 ②. CODE位置指示
 ③. 推荐扭矩0.6 Nm
 ④. -** : 线缆长度, 例如: -0.5M
 ⑤. 线缆组件塑料袋包装
 ⑥. 标签包含: 产品编号, 日期代码...



PIN ARRANGEMENT
D-CODE

PIN 1	TD+	YELLOW
PIN 3	TD-	ORANGE
PIN 2	RD+	WHITE
PIN 4	RD-	BLUE



WIRES: 1X4X22AWG WIRE COLOR: WHITE/YELLOW/BLUE/ORANGE OD: APPROX. 6.5MM TEMPERATURE RATING: 80°C UL OPERATING TEMP RATING: -40°C To +80°C	STANDARD: -001: 0.5M -002: 1.0M -003: 1.5M -004: 3.0M -005: 5.0M -006: 7.0M -007: 10.0M CUSTOMIZATION: -99X: 0.XM(<1.0M) (-993: 0.3M) -XXX: XX.XM(>1.0M) (-155: 15.5M)	RED	PVC	MI2D4-MS-PVC TYPE B RED-**④	4	TADI4141311-XXX
WIRES: 1X4X22AWG WIRE COLOR: WHITE/YELLOW/BLUE/ORANGE OD: APPROX. 6.65MM TEMPERATURE RATING: 80°C UL OPERATING TEMP RATING: -30°C To +70°C		GREEN	PUR	MI2D4-MS-PUR TYPE C GREEN-**④	4	TADI4145101-XXX
WIRES: 1X4X22AWG WIRE COLOR: WHITE/YELLOW/BLUE/ORANGE OD: APPROX. 6.5MM TEMPERATURE RATING: 80°C UL OPERATING TEMP RATING: -25°C To +80°C		GREEN	FRNC	MI2D4-MS-FRNC TYPE B GREEN-**④	4	TADI4147101-XXX
WIRES: 1X4X22AWG WIRE COLOR: WHITE/YELLOW/BLUE/ORANGE OD: APPROX. 6.5MM TEMPERATURE RATING: 80°C UL OPERATING TEMP RATING: -40°C To +80°C		GREEN	PVC	MI2D4-MS-PVC TYPE B GREEN-**④	4	TADI4141111-XXX
CABLE CHARACTERISTIC	LENGTH "L"	JACKET COLOR	JACKET MATERIAL	TYPE	POS.	TE PN

THIS DRAWING IS A CONTROLLED DOCUMENT.

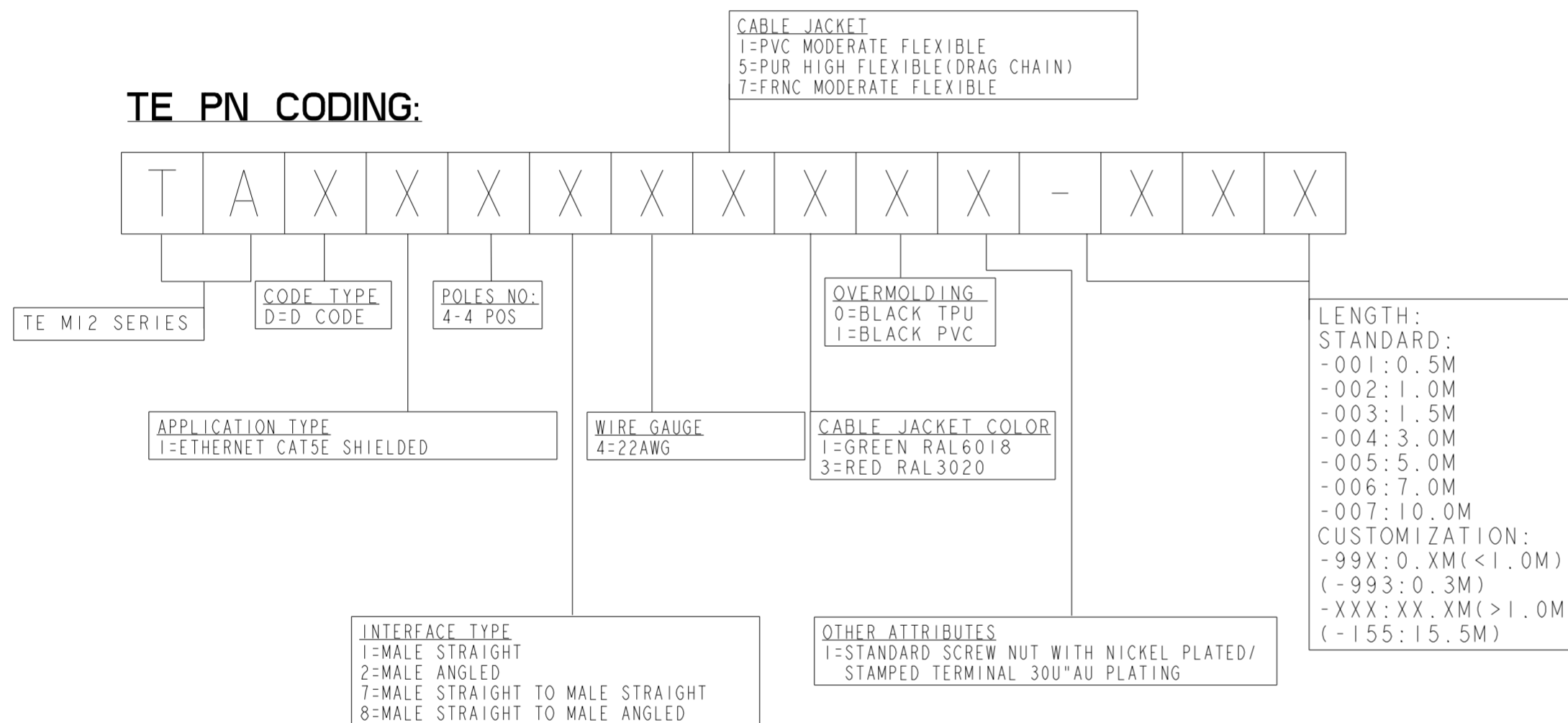
DIMENSIONS: mm	TOLERANCES UNLESS OTHERWISE SPECIFIED: 0 PLC ± 1 PLC ± 2 PLC ± 3 PLC ± 4 PLC ± ANGLES ±	DWN BLAZE PENG 08JUN2021 CHK KEVIN HUANG 08JUN2021 APVD CHRIS WANG 08JUN2021	NAME M12 D CODE CABLE ASSY, SHIELDED 4P, MS FREE END
MATERIAL -	FINISH -	PRODUCT SPEC 108-106140	RESTRICTED TO
RESTRICTED CUSTOMER		SCALE 2:1	SHEET 1 OF 2 REV A

ENTRELEC
Electrical Solutions

REVISIONS				
P	LTR	DESCRIPTION	DATE	APVD
-		SEE SHEET 1	-	-

TECHNICAL DATA	
RATED VOLTAGE	250V 30V(UL)
RATED CURRENT	4A 1.5A(UL)
POLLUTION DEGREE	3
OVERVOLTAGE CATEGORY	II
MATERIAL GROUP	II
DEGREE OF PROTECTION	IP67

TE PN CODING:



MI2D4-MS-PVC TYPE B-0.5M	TADI4141111-001	ISET315286R0000
MI2D4-MS-PVC TYPE B-1.0M	TADI4141111-002	ISET315287R0000
MI2D4-MS-PVC TYPE B-5.0M	TADI4141111-005	ISET315288R0000
MI2D4-MS-PVC TYPE B-2.0M	TADI4141111-020	ISET315290R0000
MI2D4-MS-PUR TYPE C GREEN-0.5M	TADI4145101-001	ISET315304R0000
MI2D4-MS-PUR TYPE C GREEN-1.0M	TADI4145101-002	ISET315305R0000
MI2D4-MS-PUR TYPE C GREEN-5.0M	TADI4145101-005	ISET315306R0000
MI2D4-MS-PUR TYPE C GREEN-2.0M	TADI4145101-020	ISET315308R0000
MI2D4-MR-PVC TYPE B-0.5M	TADI4241111-001	ISET315322R0000
MI2D4-MR-PVC TYPE B-1.0M	TADI4241111-002	ISET315323R0000
MI2D4-MR-PVC TYPE B-5.0M	TADI4241111-005	ISET315324R0000
MI2D4-MR-PVC TYPE B-2.0M	TADI4241111-020	ISET315326R0000
MI2D4-MR-PUR TYPE C GREEN-0.5M	TADI4245101-001	ISET315340R0000
MI2D4-MR-PUR TYPE C GREEN-1.0M	TADI4245101-002	ISET315341R0000
MI2D4-MR-PUR TYPE C GREEN-5.0M	TADI4245101-005	ISET315342R0000
MI2D4-MR-PUR TYPE C GREEN-2.0M	TADI4245101-020	ISET315344R0000
MI2D4-MS-MS-PVC TYPE B-0.5M	TADI4741111-001	ISET315358R0000
MI2D4-MS-MS-PVC TYPE B-1.0M	TADI4741111-002	ISET315359R0000
MI2D4-MS-MS-PVC TYPE B-5.0M	TADI4741111-005	ISET315360R0000
MI2D4-MS-MS-PVC TYPE B-2.0M	TADI4741111-020	ISET315362R0000
MI2D4-MS-MS-PUR TYPE C GREEN-0.5M	TADI4745101-001	ISET315377R0000
MI2D4-MS-MS-PUR TYPE C GREEN-1.0M	TADI4745101-002	ISET315378R0000
MI2D4-MS-MS-PUR TYPE C GREEN-5.0M	TADI4745101-005	ISET315379R0000
MI2D4-MS-MS-PUR TYPE C GREEN-2.0M	TADI4745101-020	ISET315381R0000
DESCRIPTION	TE PN	ENTRELEC PN

THIS DRAWING IS A CONTROLLED DOCUMENT.

DWN: 08JUN2021
 BLAZE PENG
 CHK: 08JUN2021
 KEVIN HUANG
 APVD: 08JUN2021
 CHRIS WANG

ENTRELEC
 Electrical Solutions

NAME: MI2 D CODE CABLE ASSY, SHIELDED
 4P, MS FREE END

PRODUCT SPEC: 108-106140

APPLICATION SPEC: -

SIZE: A2 CAGE CODE: - DRAWING NO: ISET311A11R0000 RESTRICTED TO: -

MATERIAL: - FINISH: - WEIGHT: -

RESTRICTED CUSTOMER SCALE: 2:1 SHEET: 2 OF 2 REV: A