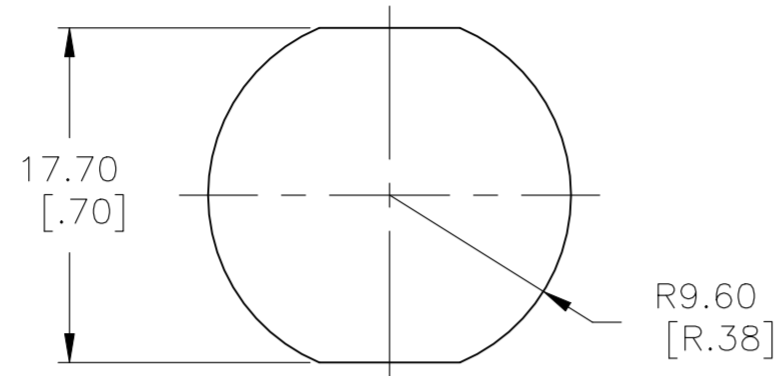
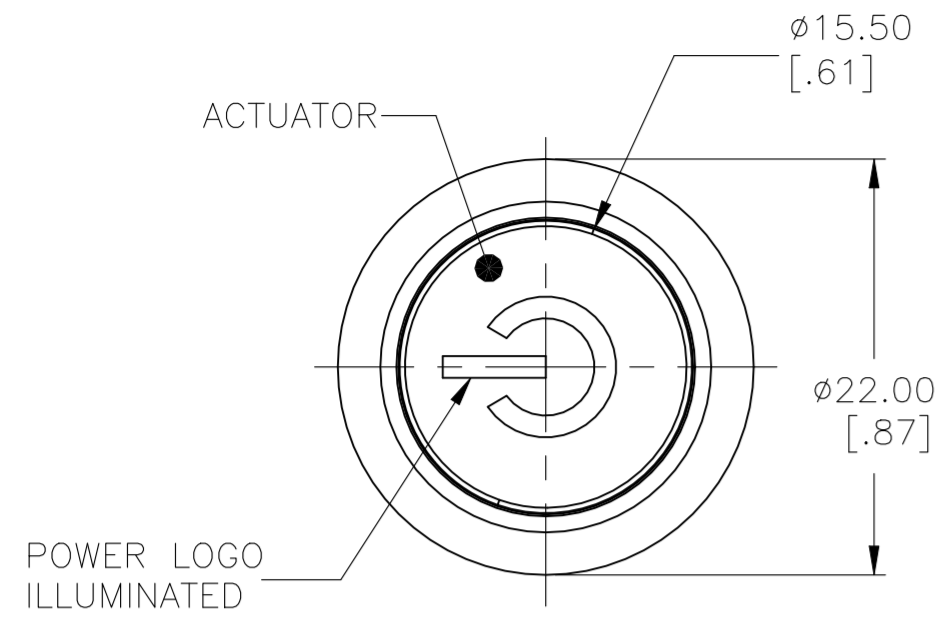


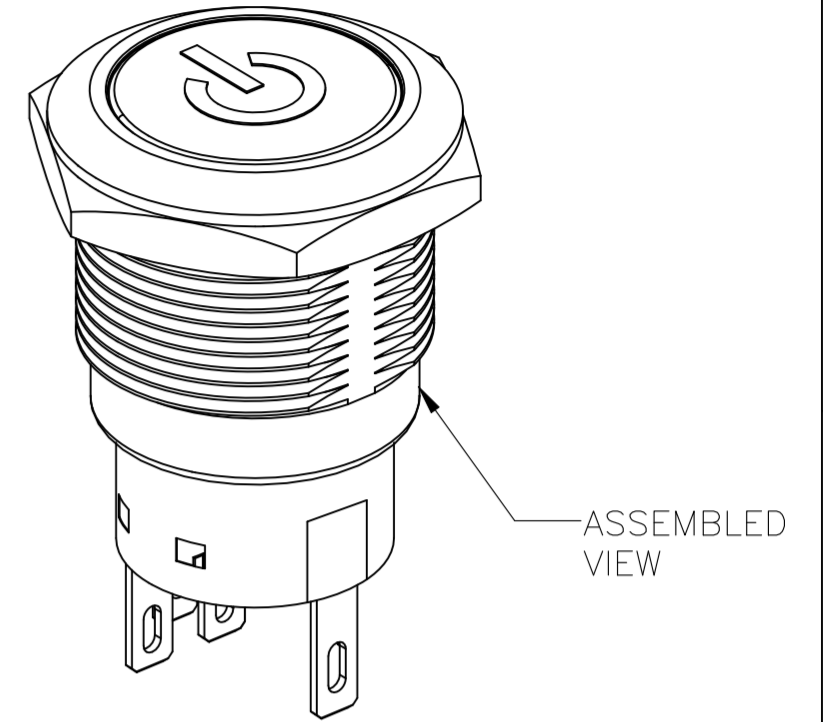
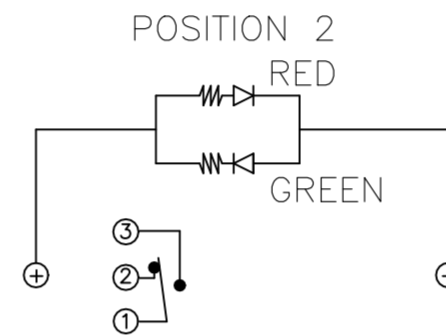
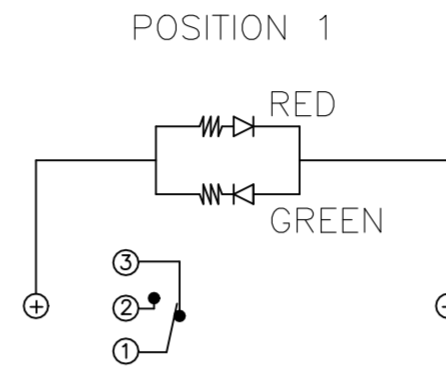
THIS DRAWING IS UNPUBLISHED. RELEASED FOR PUBLICATION
 © COPYRIGHT - By - ALL RIGHTS RESERVED.

REVISIONS					
P	LTR	DESCRIPTION	DATE	DWN	APVD
A1		ECO-21-006709	18JUN2021	RK	AS

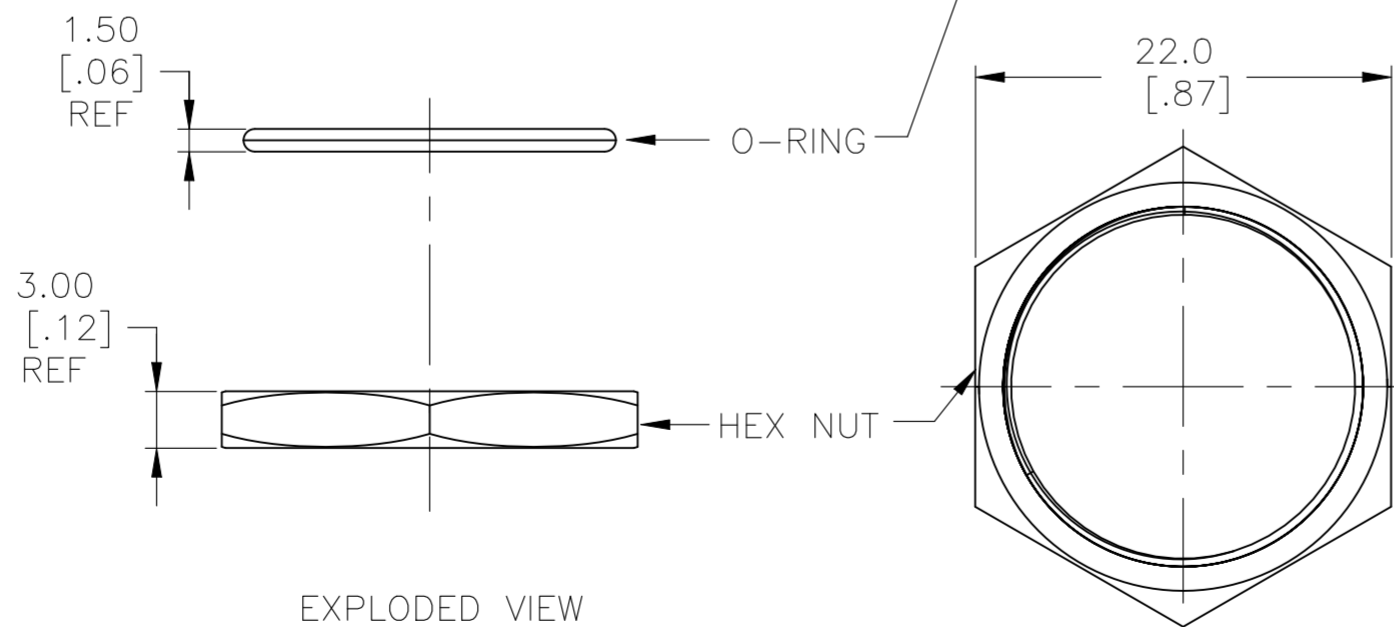
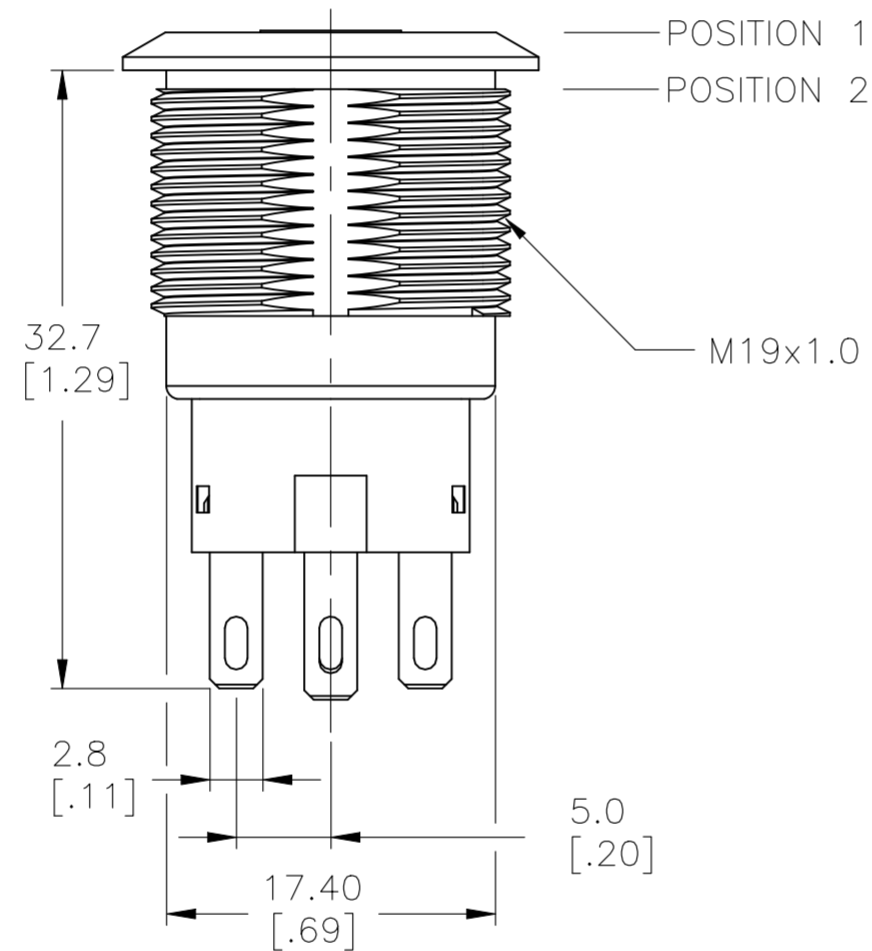
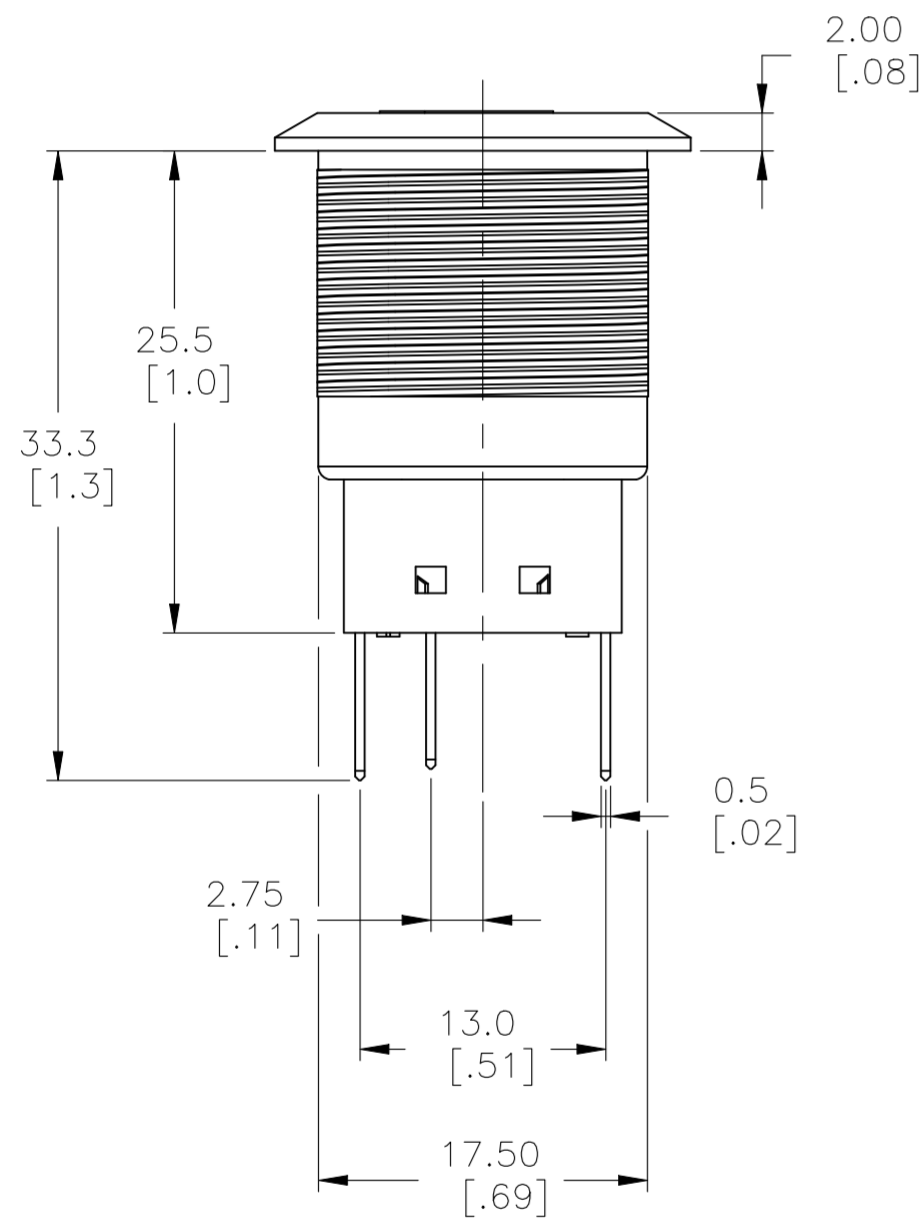
SINGLE POLE SWITCH WITH DUAL COLOR LED's



PANEL CUTOUT
 MAX.PANEL THICKNESS: 10.00[.394]



ASSEMBLED VIEW



EXPLODED VIEW

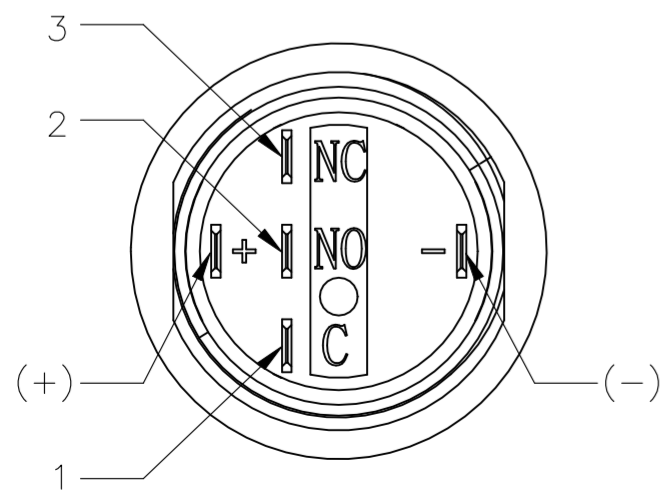
SPECIFICATION:

CONTACT RATING: SILVER; 3A @ 250VAC RESISTIVE
 GOLD; 0.4A @ 20VDC OR PEAK AC
 INSULATION RESISTANCE: 1,000MΩ MIN AT 500VDC
 DIELECTRIC STRENGTH: 2,000V RMS @ SEA LEVEL
 CONTACT RESISTANCE: 50mΩ MAX @ 1A 12VDC (INITIAL VALUE), SOLDER TERMINALS
 100mΩ MAX @ 1A 12VDC (INITIAL VALUES), FLYING LEADS.
 ELECTRICAL LIFE CYCLES: 50,000 MAKE AND BREAK CYCLES AT FULL LOAD.
 ACTUATION FORCE: SP: 2.5±1 N, DP: 3.5±1 N
 ACTUATION TRAVEL: APPROXIMATELY 3.2mm
 SEALED PER IP67, IK10
 OPERATING TEMPERATURE: -20°C TO +55°C
 MECHANICAL LIFECYCLES: MOMENTARY; 1,000,000 CYCLES
 LOCKING; 500,000 CYCLES
 HARDWARE TORQUE: 5-14 N-m.

MATERIALS

BUSHING: STAINLESS STEEL,
 BASE: PBT (UL 94-V0), PC (UL 94-V2),
 ACTUATOR: STAINLESS STEEL, PC
 O-RING: SILICONE,
 TERMINAL/CONTACT: COPPER BASE, SILVER/GOLD PLATED,
 HEX NUT: BRASS BASE, NICKEL PLATED,
 WIRE:UL3385.
 INNER ASSEMBLY: POM/PA66
 SPRING: SPRING STEEL
 SEALING: SILICONE

1. ALL MATERIAL AND FINISHES SHALL COMPLY WITH EU DIRECTIVE 2002/95/EC OF 27JAN2003(ROHS).



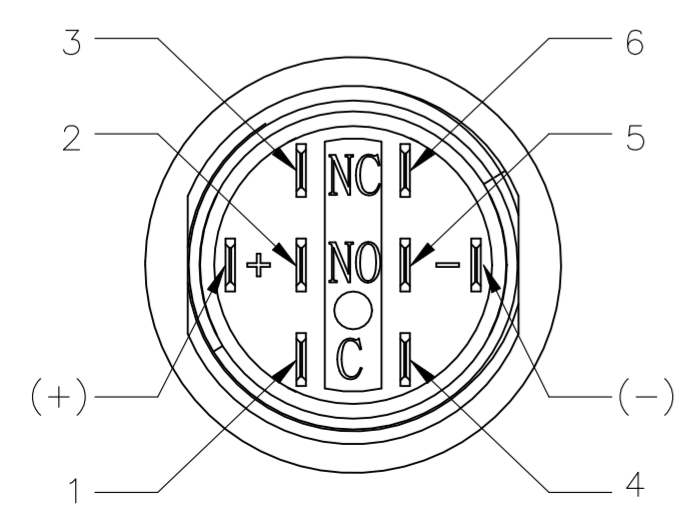
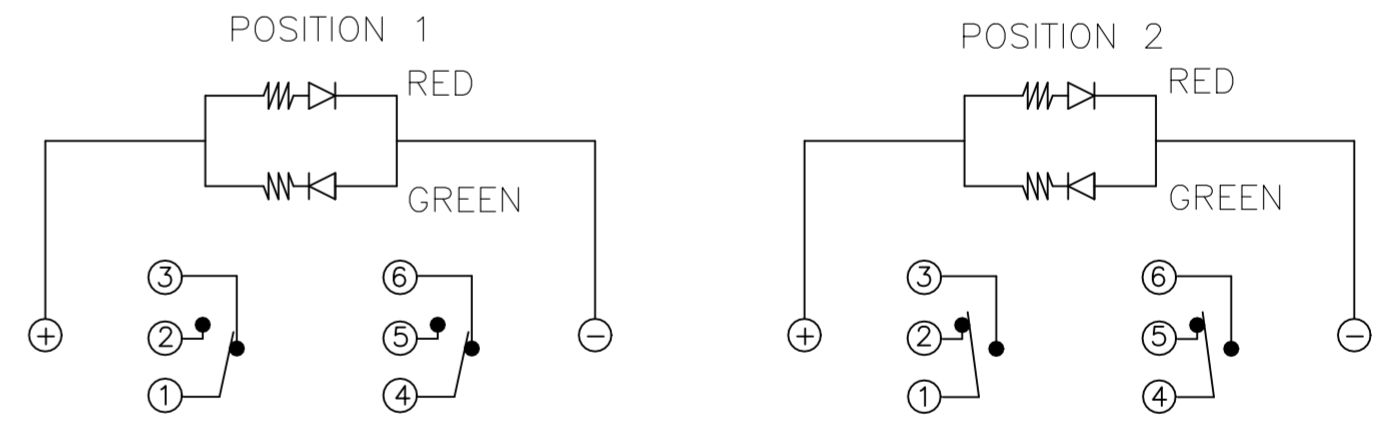
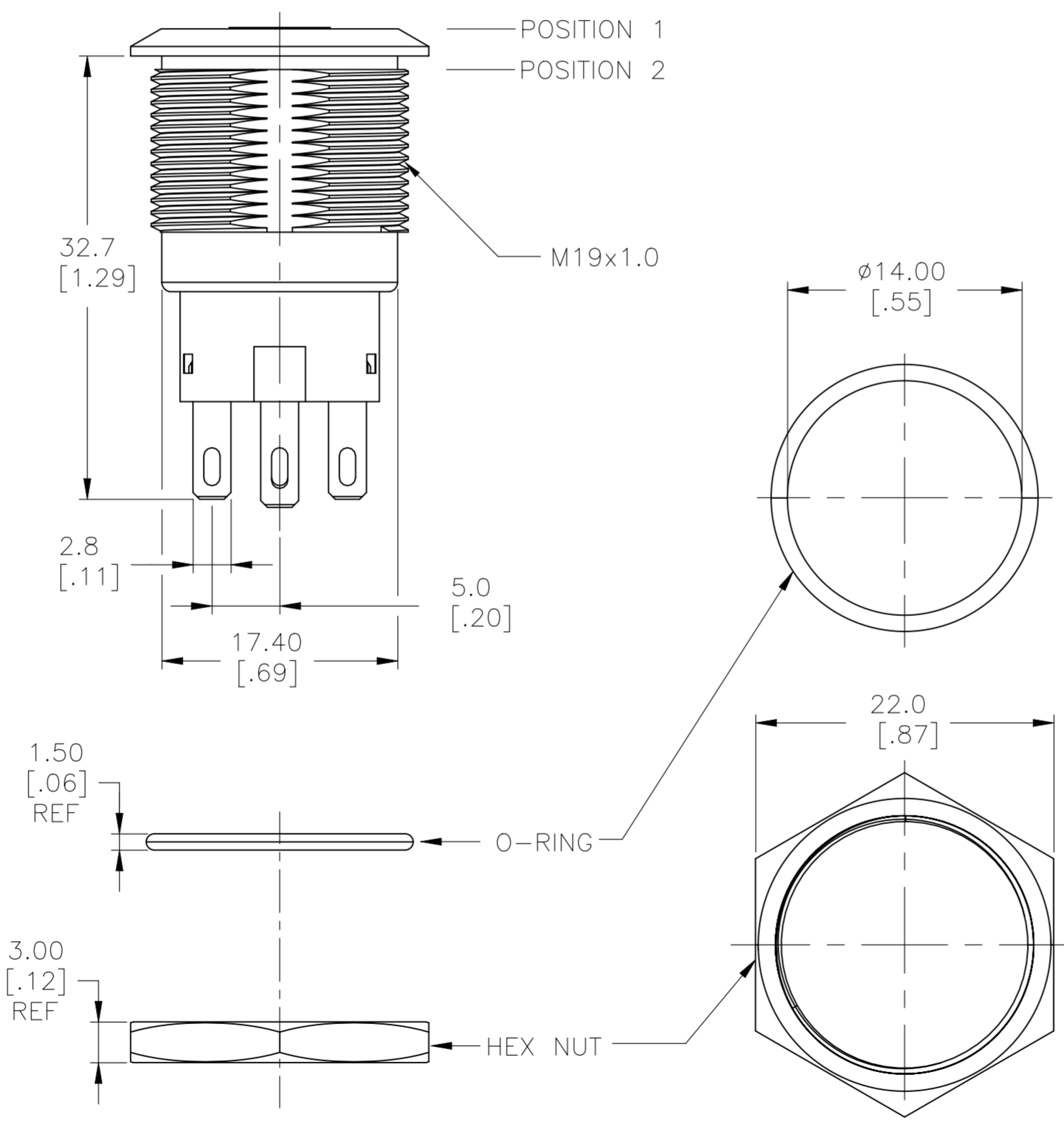
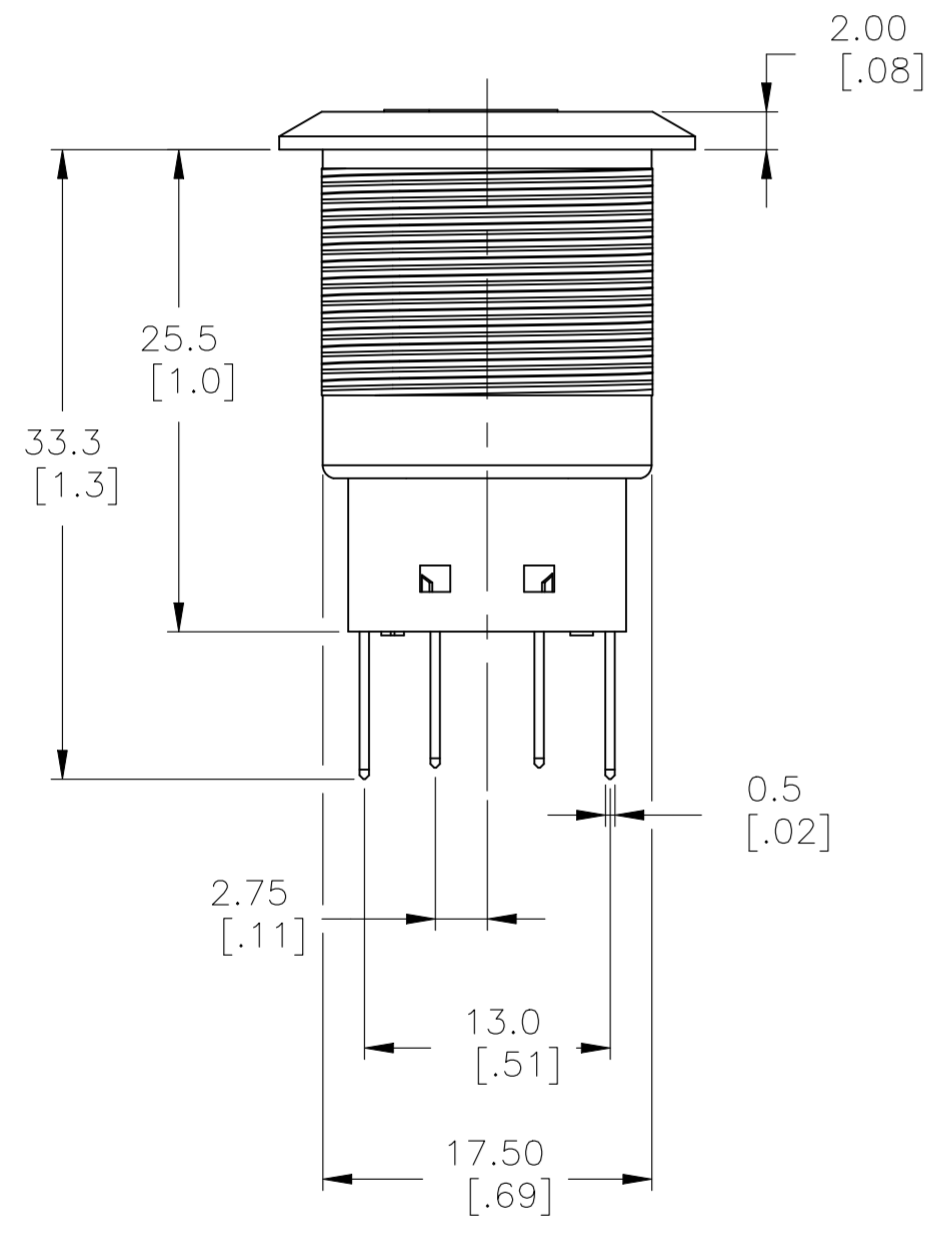
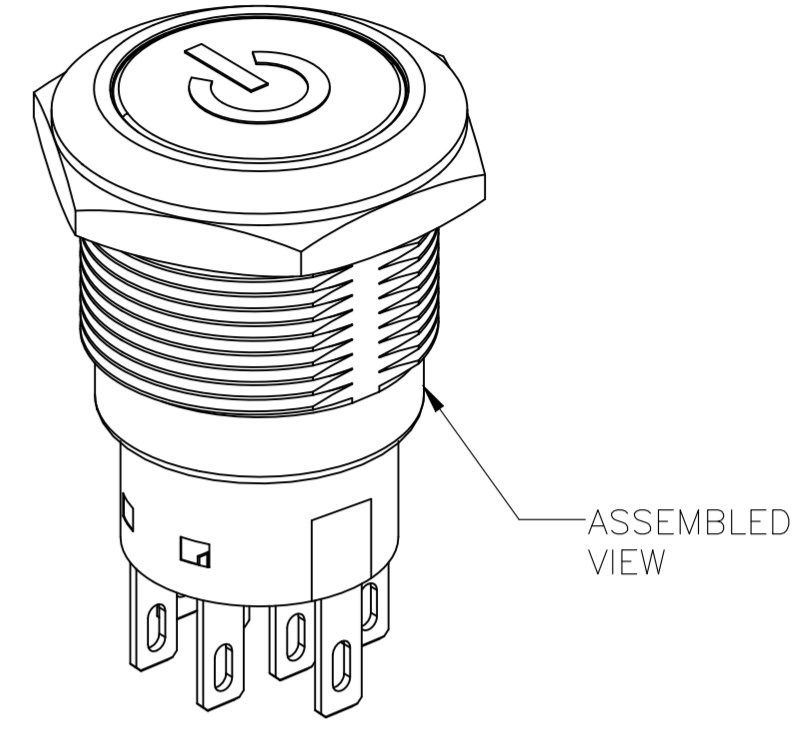
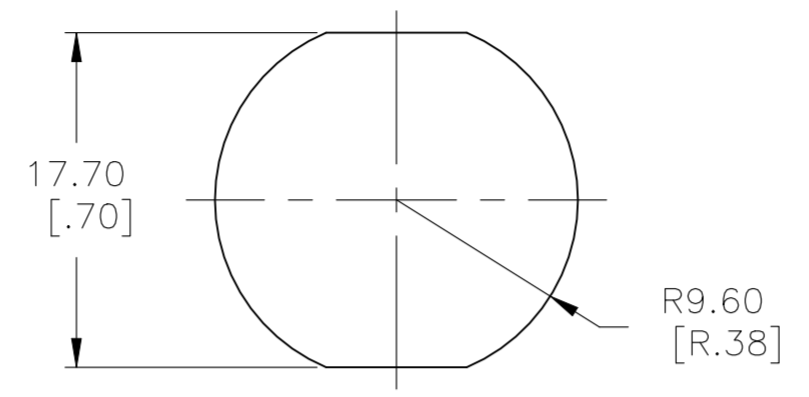
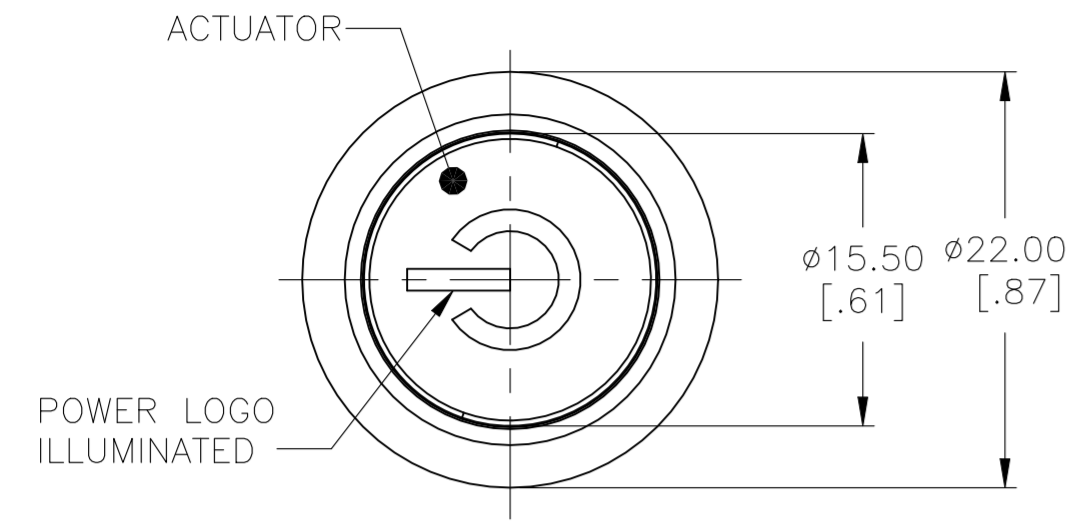
THIS DRAWING IS A CONTROLLED DOCUMENT.		DWN	15FEB2017	 TE Connectivity	NAME ANTI-VANDAL SWITCH 19mm SOLDER TERMINAL FLYING LEADS, POWER LOGO DUAL COLOR LED
DIMENSIONS:		CHK	15FEB2017		
mm [INCHES]		APVD	15FEB2017		
TOLERANCES UNLESS OTHERWISE SPECIFIED:		PRODUCT SPEC			
0 PLC	± -	APPLICATION SPEC		SIZE	RESTRICTED TO
1 PLC	± 0.4[.016]	WEIGHT	-	A2	-
2 PLC	± 0.25[.010]	CUSTOMER DRAWING	-	CAGE CODE	00779
3 PLC	± -	SCALE	1:1	DRAWING NO	C=2316366
4 PLC	± -	SCALE	1:1	SHEET	1 of 5
ANGLES	± 2°	SCALE	1:1	REV	A1
FINISH	-	SCALE	1:1		

2316366

THIS DRAWING IS UNPUBLISHED. RELEASED FOR PUBLICATION
 © COPYRIGHT - By - ALL RIGHTS RESERVED.

REVISIONS					
P	LTR	DESCRIPTION	DATE	DWN	APVD
-	-	SEE SHEET 1	-	-	-

DOUBLE POLE SWITCH WITH DUAL COLOR LED's



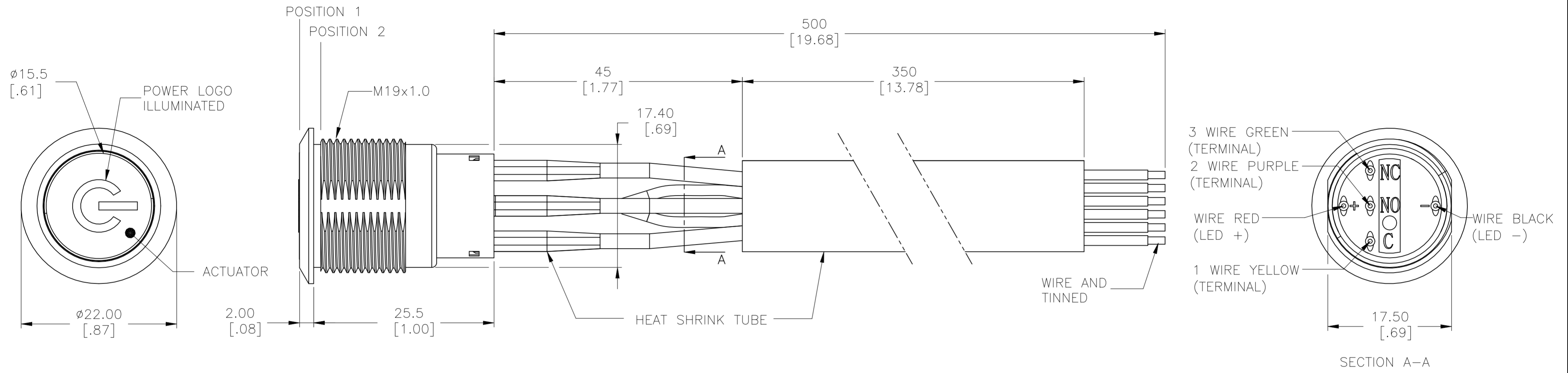
EXPLODED VIEW

THIS DRAWING IS A CONTROLLED DOCUMENT.		DWN 15FEB2017 SHIVAKUMAR S S		
DIMENSIONS: mm [INCHES]		CHK 15FEB2017 SANJAY SHINDIKAR		
TOLERANCES UNLESS OTHERWISE SPECIFIED:		APVD 15FEB2017 SANJAY SHINDIKAR	NAME	
0 PLC ± -		PRODUCT SPEC	ANTI-VANDAL SWITCH 19mm SOLDER TERMINAL FLYING LEADS, POWER LOGO DUAL COLOR LED	
1 PLC ± 0.4 [.016]		APPLICATION SPEC	SIZE	RESTRICTED TO
2 PLC ± 0.25 [.010]		WEIGHT 0	CAGE CODE	DRAWING NO
3 PLC ± -		MATERIAL	A2 00779	C=2316366
4 PLC ± -		FINISH	SCALE 1:1	SHEET 2 of 5
ANGLES ± 2°		CUSTOMER DRAWING	REV A1	

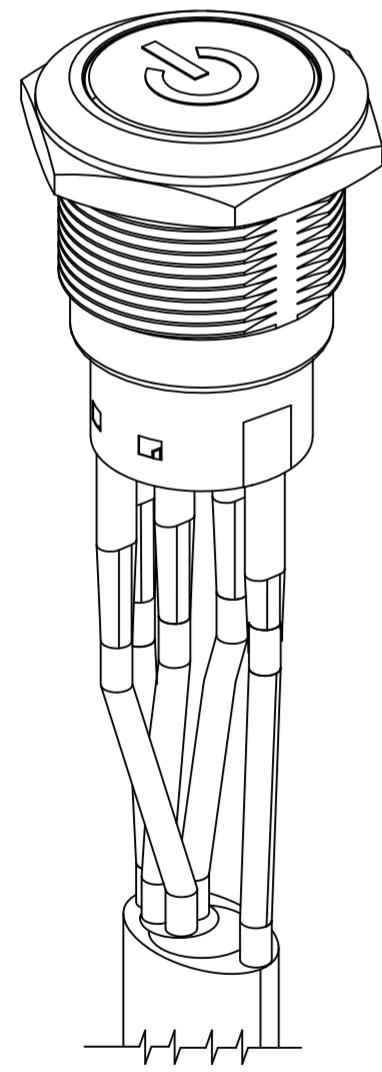
THIS DRAWING IS UNPUBLISHED. RELEASED FOR PUBLICATION
 © COPYRIGHT - By - ALL RIGHTS RESERVED.

REVISIONS					
P	LTR	DESCRIPTION	DATE	DWN	APVD
-	-	SEE SHEET 1	-	-	-

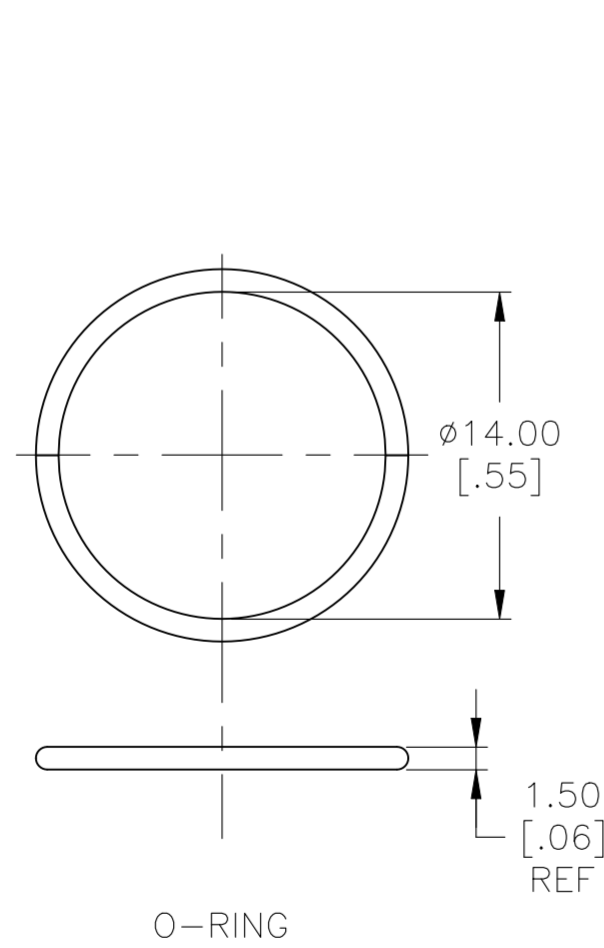
SINGLE POLE SWITCH WITH DUAL COLOR LED'S AND FLYING LEADS



WIRE=18AWG, 300V(BLACK/YELLOW/GREEN/RED/PURPLE)

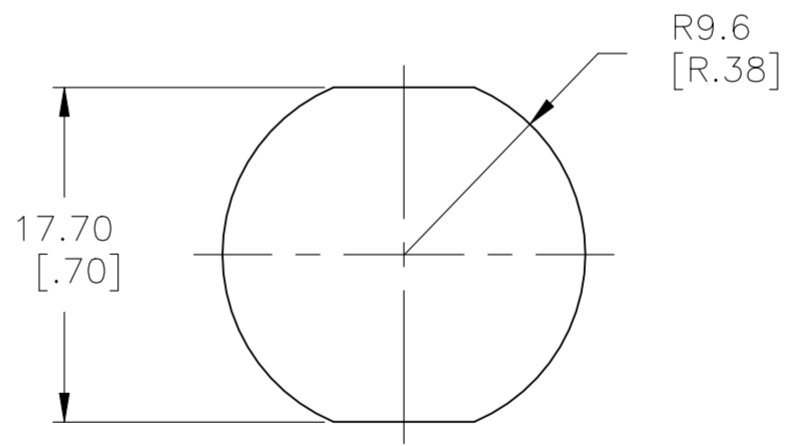


ASSEMBLED VIEW

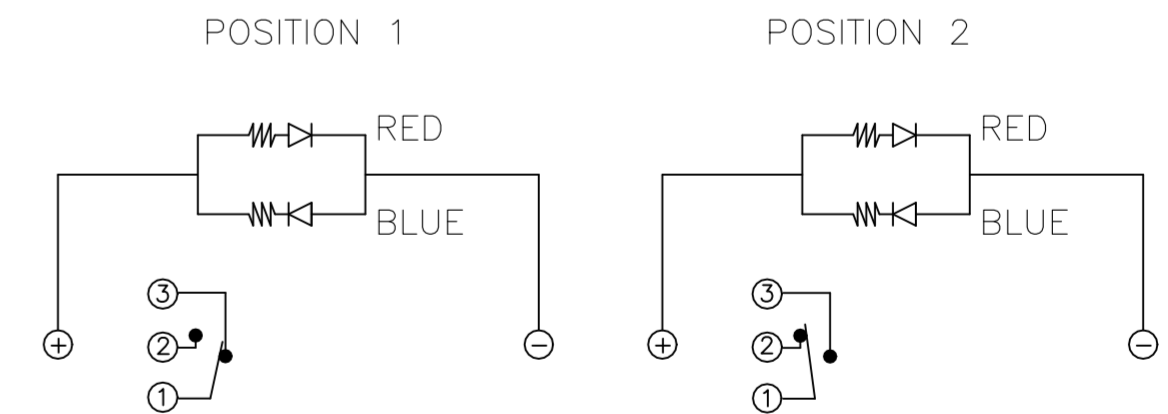


O-RING

HEX NUT



PANEL CUTOUT
MAX.PANEL THICKNESS: 10.00[.394]



POSITION 1

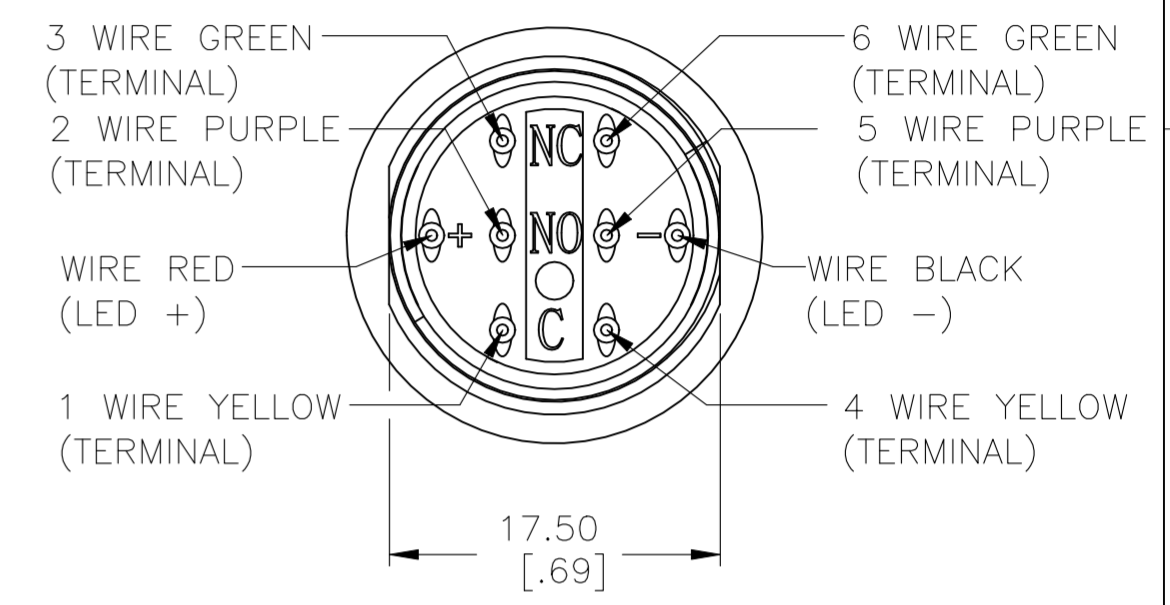
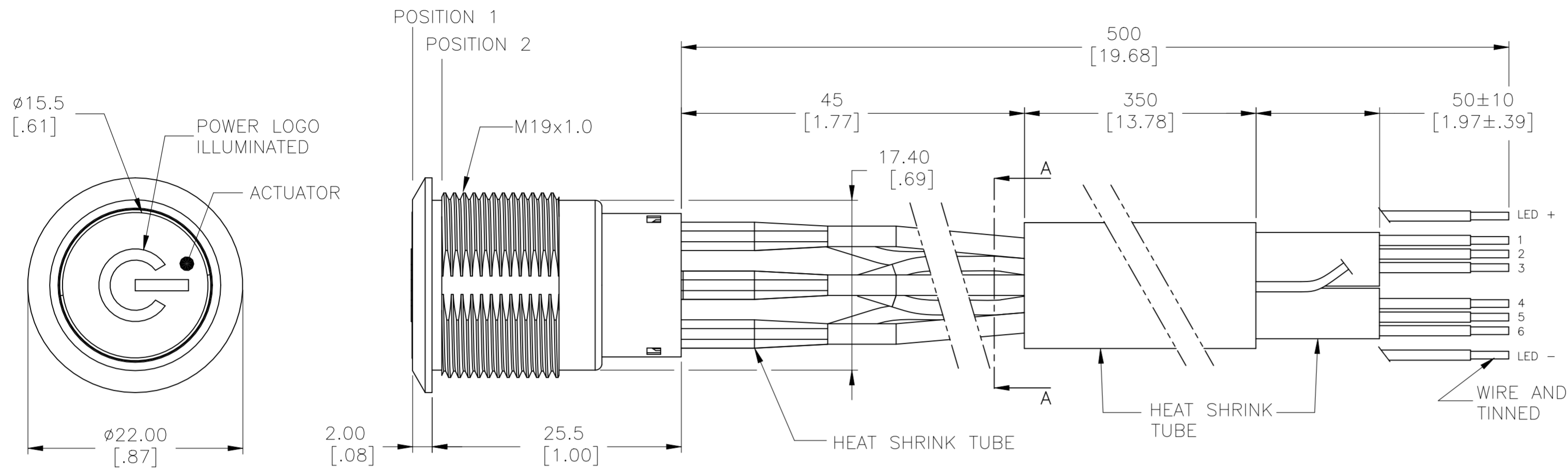
POSITION 2

THIS DRAWING IS A CONTROLLED DOCUMENT.		DWN SHIVAKUMAR S S	15FEB2017	STE TE Connectivity	
DIMENSIONS: mm [INCHES]		CHK SANJAY SHINDIKAR	15FEB2017		
TOLERANCES UNLESS OTHERWISE SPECIFIED:		APVD SANJAY SHINDIKAR	15FEB2017	NAME ANTI-VANDAL SWITCH 19mm SOLDER TERMINAL FLYING LEADS, POWER LOGO DUAL COLOR LED	
0 PLC ± -		PRODUCT SPEC	-	SIZE	A2
1 PLC ± 0.4[.016]		APPLICATION SPEC	-	CAGE CODE	00779
2 PLC ± 0.25[.010]		WEIGHT	0	DRAWING NO	C=2316366
3 PLC ± -		MATERIAL	-	RESTRICTED TO	-
4 PLC ± -		FINISH	-	SCALE	1:1
ANGLES ± 2°		CUSTOMER DRAWING	-	SHEET	3 OF 5
MATERIAL		SCALE	1:1	REV	A1

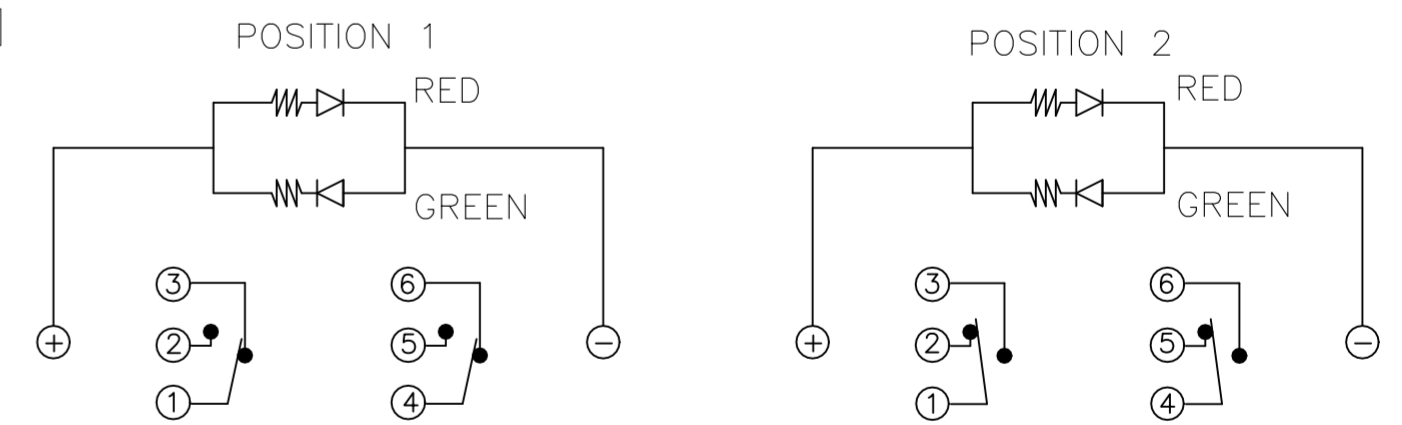
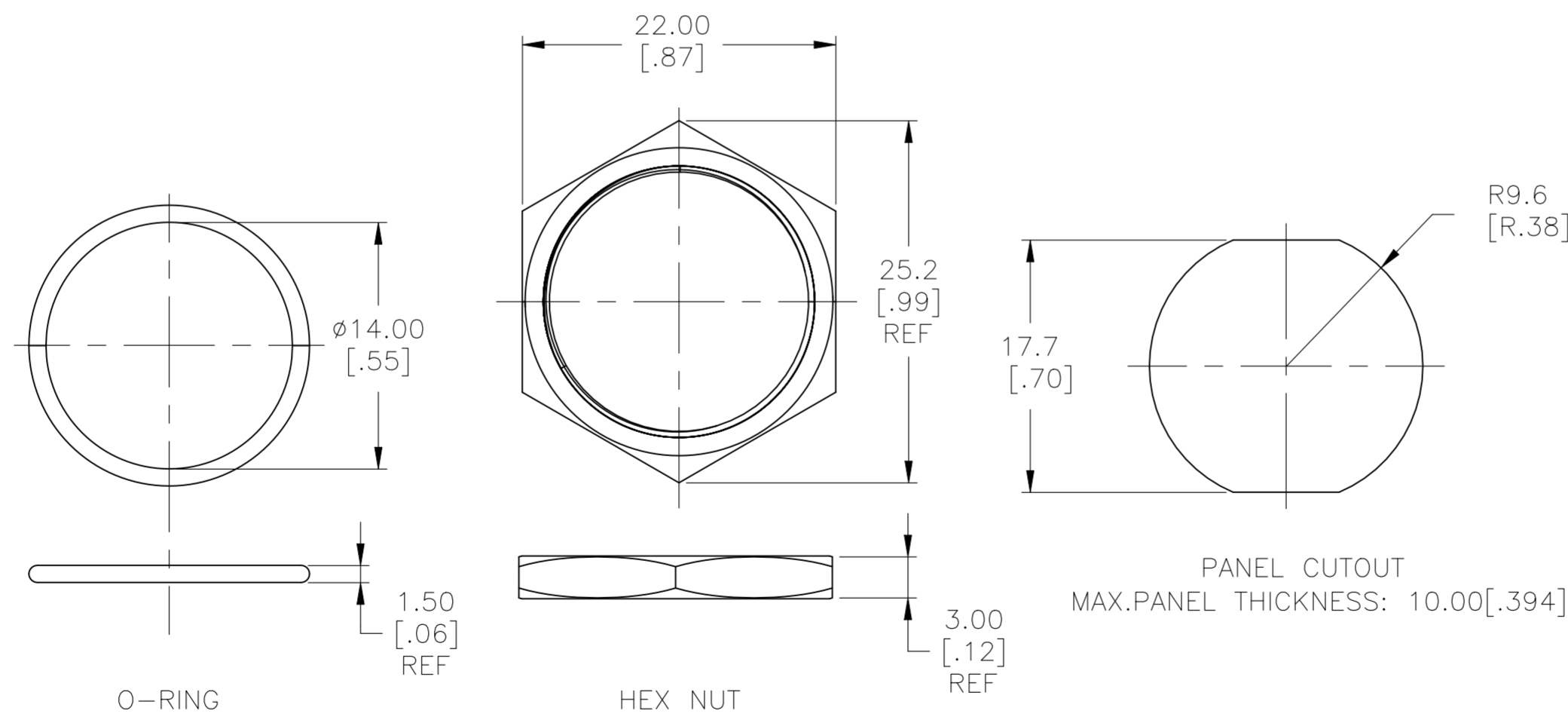
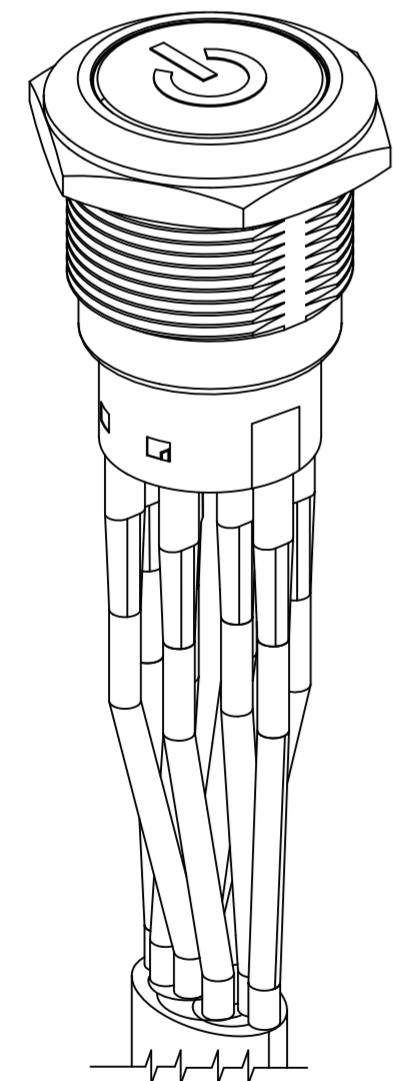
THIS DRAWING IS UNPUBLISHED. RELEASED FOR PUBLICATION
 © COPYRIGHT - By - ALL RIGHTS RESERVED.

REVISIONS					
P	LTR	DESCRIPTION	DATE	DWN	APVD
-	-	SEE SHEET 1	-	-	-

DOUBLE POLE SWITCH WITH DUAL COLOR LED'S AND FLYING LEADS



WIRE=18AWG, 300V(BLACK/YELLOW/GREEN/RED/PURPLE)



THIS DRAWING IS A CONTROLLED DOCUMENT.		DWN SHIVAKUMAR S S 15FEB2017	TE Connectivity	
DIMENSIONS: mm [INCHES]		CHK SANJAY SHINDIKAR 15FEB2017		
TOLERANCES UNLESS OTHERWISE SPECIFIED:		APVD SANJAY SHINDIKAR 15FEB2017	NAME ANTI-VANDAL SWITCH 19mm SOLDER TERMINAL FLYING LEADS, POWER LOGO DUAL COLOR LED	
0 PLC ± - 1 PLC ± 0.4[.016] 2 PLC ± 0.25[.010] 3 PLC ± - 4 PLC ± - ANGLES ± 2°		PRODUCT SPEC -	SIZE A2	CAGE CODE 00779
MATERIAL -		FINISH -	DRAWING NO C=2316366	RESTRICTED TO -
CUSTOMER DRAWING		WEIGHT 0	SCALE 1:1	SHEET 4 OF 5
				REV A1

THIS DRAWING IS UNPUBLISHED. RELEASED FOR PUBLICATION
 © COPYRIGHT - By - ALL RIGHTS RESERVED.

REVISIONS					
P	LTR	DESCRIPTION	DATE	DWN	APVD
-	-	SEE SHEET 1	-	-	-

CONTACT PLATING	LIGHT TYPE	TERMINAL OPTION	POLE/THROW	LED COLOR	LED VOLTAGE	TE DESCRIPTIVE PART NUMBER	TE PART NUMBER	
SILVER	POWER LOGO	FLYING LEAD TERMINALS	DOUBLE POLE - MOMENTARY	RED & YELLOW	24	AV1920PG24T5Q04	4-2316366-7	
				RED & YELLOW	12	AV1920PG12T5Q04	4-2316366-6	
				RED & BLUE	24	AV1920PB24T5Q04	4-2316366-5	
				RED & BLUE	12	AV1920PB12T5Q04	4-2316366-4	
				RED & GREEN	24	AV1920PA24T5Q04	4-2316366-3	
				RED & GREEN	12	AV1920PA12T5Q04	4-2316366-2	
			SINGLE POLE - LOCKING	RED & YELLOW	24	AV1911PG24T5Q04	4-2316366-1	
				RED & YELLOW	12	AV1911PG12T5Q04	4-2316366-0	
				RED & BLUE	24	AV1911PB24T5Q04	3-2316366-9	
				RED & BLUE	12	AV1911PB12T5Q04	3-2316366-8	
				RED & GREEN	24	AV1911PA24T5Q04	3-2316366-7	
				RED & GREEN	12	AV1911PA12T5Q04	3-2316366-6	
		SOLDER TERMINALS	DOUBLE POLE - MOMENTARY	SINGLE POLE - MOMENTARY	RED & YELLOW	24	AV1910PG24T5Q04	3-2316366-5
					RED & YELLOW	12	AV1910PG12T5Q04	3-2316366-4
					RED & BLUE	24	AV1910PB24T5Q04	3-2316366-3
					RED & BLUE	12	AV1910PB12T5Q04	3-2316366-2
					RED & GREEN	24	AV1910PA24T5Q04	3-2316366-1
					RED & GREEN	12	AV1910PA12T5Q04	3-2316366-0
			SINGLE POLE - LOCKING	SINGLE POLE - MOMENTARY	RED & YELLOW	24	AV1920PG24Q04	1-2316366-8
					RED & YELLOW	12	AV1920PG12Q04	1-2316366-7
					RED & BLUE	24	AV1920PB24Q04	1-2316366-6
					RED & BLUE	12	AV1920PB12Q04	1-2316366-5
					RED & GREEN	24	AV1920PA24Q04	1-2316366-4
					RED & GREEN	12	AV1920PA12Q04	1-2316366-3
SINGLE POLE - LOCKING	SINGLE POLE - MOMENTARY	RED & YELLOW	24	AV1911PG24Q04	1-2316366-2			
		RED & YELLOW	12	AV1911PG12Q04	1-2316366-1			
		RED & BLUE	24	AV1911PB24Q04	1-2316366-0			
		RED & BLUE	12	AV1911PB12Q04	2316366-9			
		RED & GREEN	24	AV1911PA24Q04	2316366-8			
		RED & GREEN	12	AV1911PA12Q04	2316366-7			
SINGLE POLE - MOMENTARY	SINGLE POLE - MOMENTARY	RED & YELLOW	24	AV1910PG24Q04	2316366-6			
		RED & YELLOW	12	AV1910PG12Q04	2316366-5			
		RED & BLUE	24	AV1910PB24Q04	2316366-4			
		RED & BLUE	12	AV1910PB12Q04	2316366-3			
		RED & GREEN	24	AV1910PA24Q04	2316366-2			
		RED & GREEN	12	AV1910PA12Q04	2316366-1			

THIS DRAWING IS A CONTROLLED DOCUMENT.		DWN 15FEB2017 SHIVAKUMAR S S	STE TE Connectivity	
DIMENSIONS: mm [INCHES]		CHK 15FEB2017 SANJAY SHINDIKAR		
TOLERANCES UNLESS OTHERWISE SPECIFIED:		APVD 15FEB2017 SANJAY SHINDIKAR	NAME ANTI-VANDAL SWITCH 19mm SOLDER TERMINAL FLYING LEADS, POWER LOGO DUAL COLOR LED	
0 PLC ± -		PRODUCT SPEC -	SIZE CAGE CODE DRAWING NO RESTRICTED TO	
1 PLC ± 0.4[.016]		APPLICATION SPEC -	A2 00779 C=2316366	
2 PLC ± 0.25[.010]		WEIGHT 0	SCALE 1:1 SHEET 5 OF 5 REV A1	
3 PLC ± -		CUSTOMER DRAWING		
4 PLC ± -				
ANGLES ± 2°				
MATERIAL -				
FINISH -				