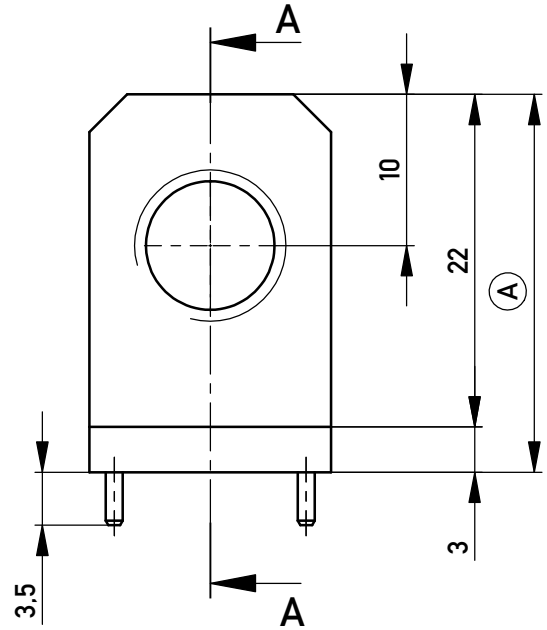
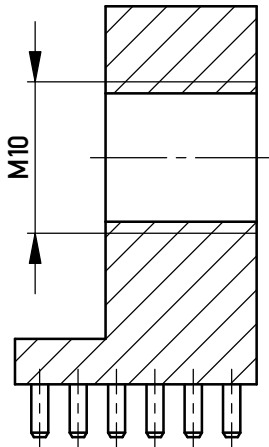
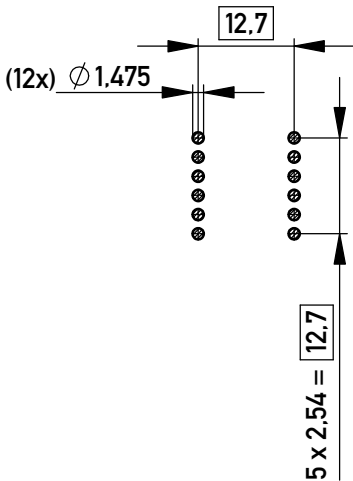


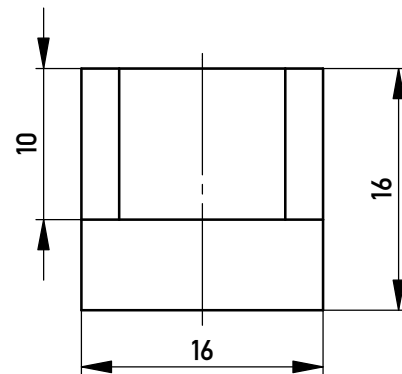
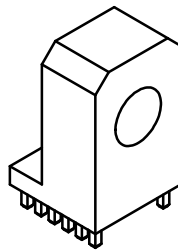
Schnitt A-A
cross section A-A



Layout - Vorschlag
PCB - Layout proposal
M / scale 1:1



M / scale 1:1



2-6 μ m Sn matt über 2-4 μ m Cu
2-6 μ m sn matt over 2-4 μ m cu

(A) Oberfläche / plating

Copyright by ERNI Production GmbH & Co. KG
Proprietary notice pursuant to ISO 16016 to be observed.

Information:		Tolerances	Scale: 2:1
All rights reserved. Only for Information. To ensure that this is the latest version of this drawing, please contact one of the ERNI companies before using.		 All Dimensions in mm	Material: CuZn39Pb3
			Designation PowerElement angled <i>two row population M10</i>
b	16.02.2018	www.ERNI.com	225716
Index	Date		