

**May not be suitable for all Medical and Aerospace applications.  
Contact Mallory Sonalert to discuss your application.**

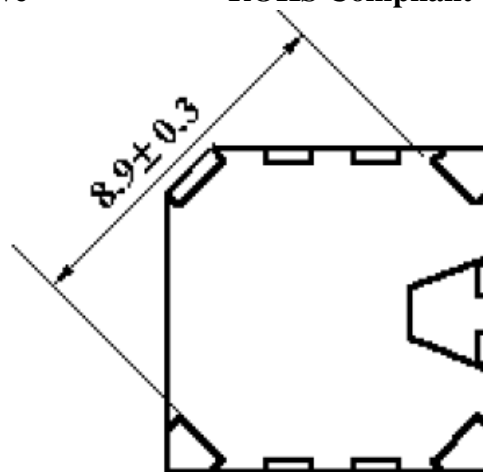
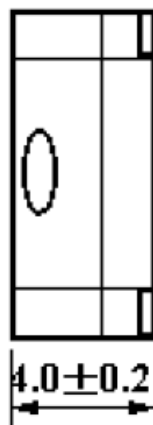
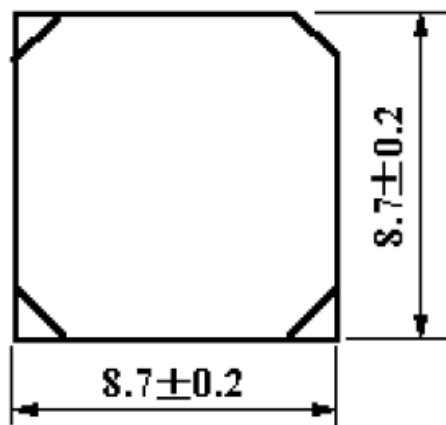
**NO CIRCUITRY**

Oscillation Frequency (Hz)	3200 ± 500
Operating Voltage (Vp-p)	4.0 ~ 7.0
Rated Voltage (Vp-p)	5.0
Current Consumption Max. (mA)	80 at Rated Voltage
Sound Pressure Level (dB/min)	85 at 10cm at Rated Voltage
Coil Resistance (Ω)	32 ± 3
Operating Temperature (°C)	-20 ~ +70
Storage Temperature (°C)	-30 ~ +80
Mounting	SMD
Housing	LCP plastic resin (Color: Black)
Weight (Grams)	0.6
Condition by wave soldering (°C)	250 ±5 / within 5 sec
Condition by hand soldering (°C)	350 ±20 / within 5 sec
Options	For other options contact factory

**Dimensions:** (units: mm)

PS: Vp-p = 1/2duty, square wave

ROHS Compliant

**Packaging:**

Parts are supplied as Cut Tape.

Units do not come with wash label and are not appropriate for aqueous wash.