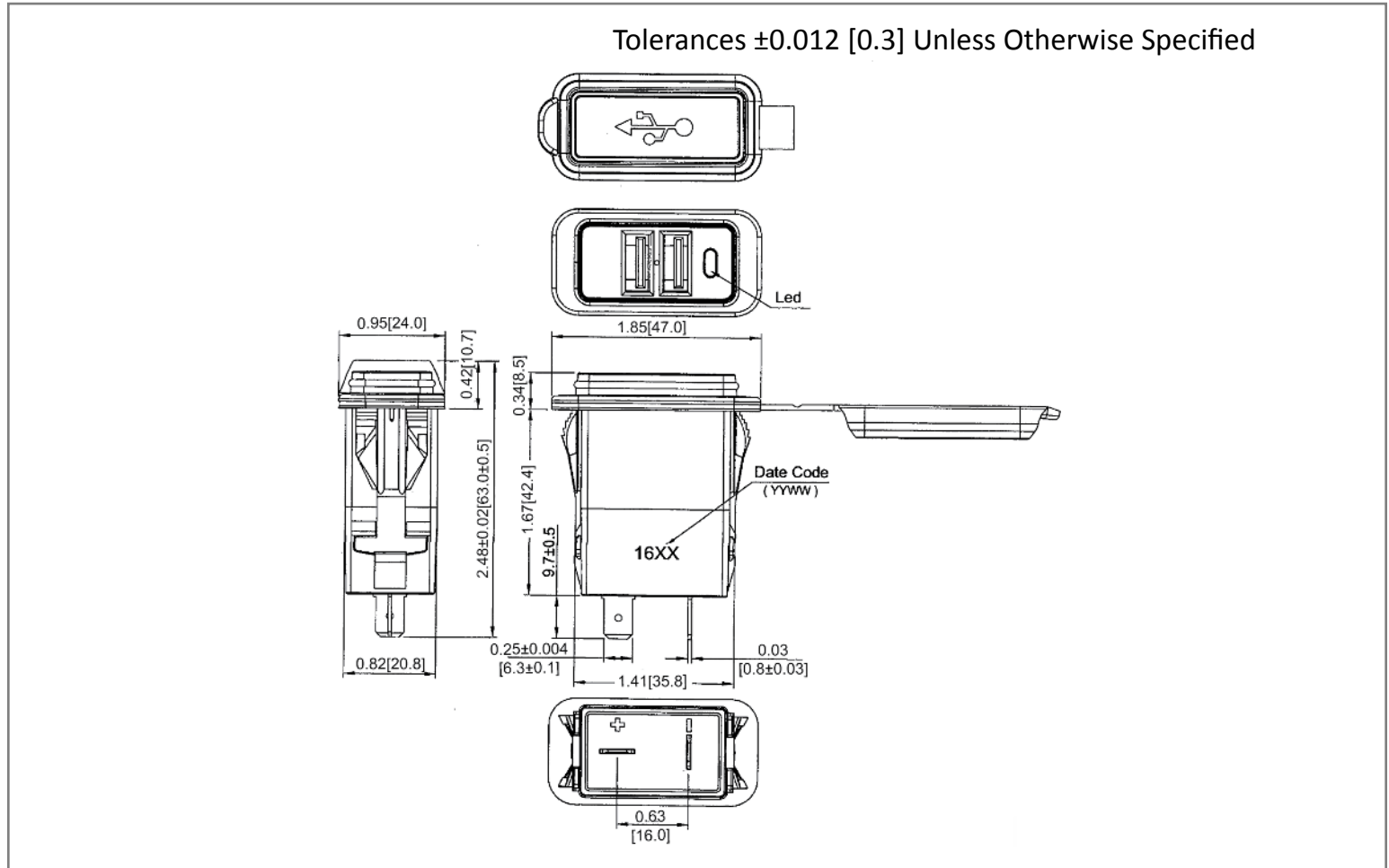
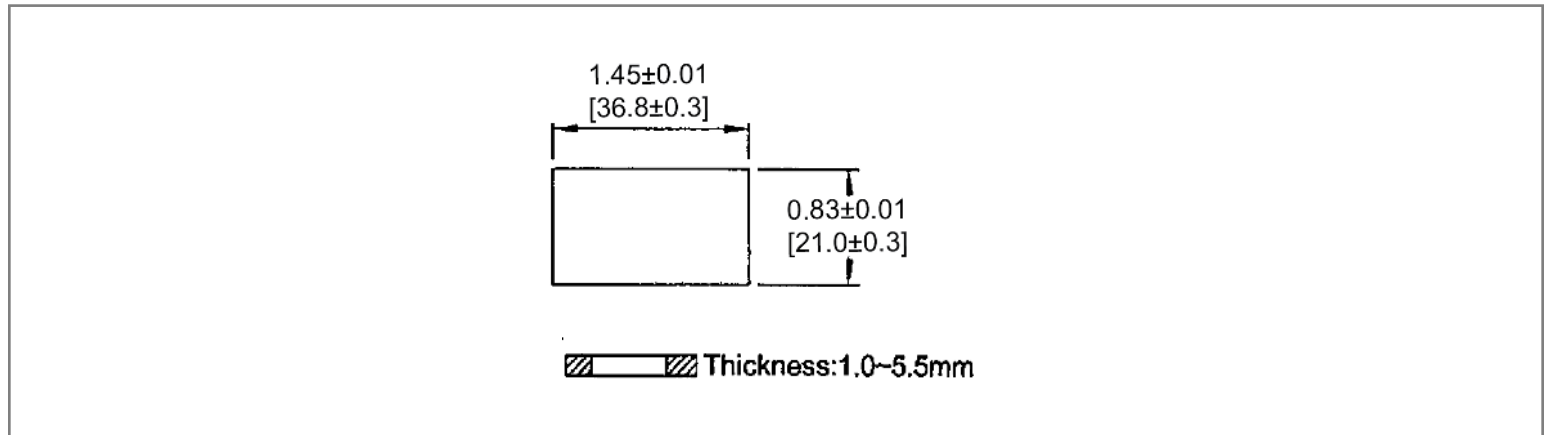


Mechanical Dimensions: Inches [mm]



Mounting Hole



Electrical Specifications

Input Rating	12/24V
Output Rating	5V 2.4A/2.4A
Insulation Resistance	DC 500V 100M ohms
Dielectric Strength	AC 1500V 1 min
Operating Temperature	-20°C ~ 45°C

Material Specifications

	LED power indicator inside
Housing	Nylon 66 (UL94V-2), Black
Cap	PVC
	IP64

Rev Date of issue Revision Notes

Designed Approved

A	12-03-2020	Initial Drawing	RC	OF
---	------------	-----------------	----	----