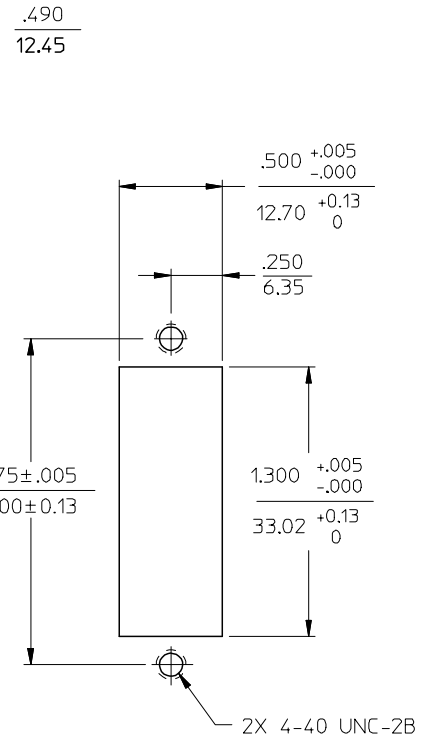
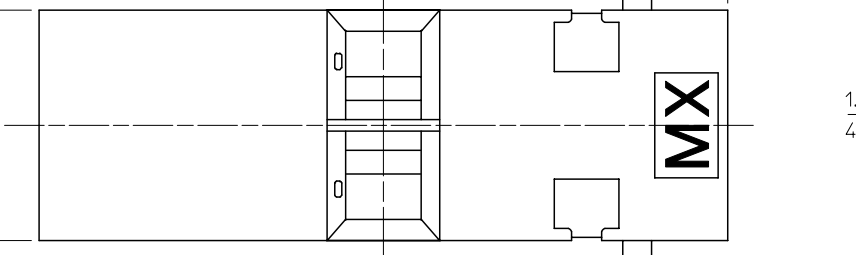
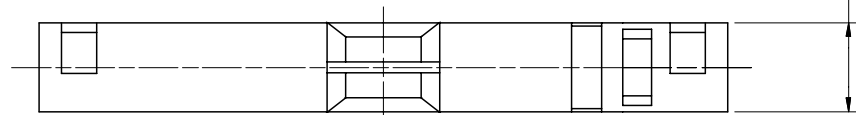
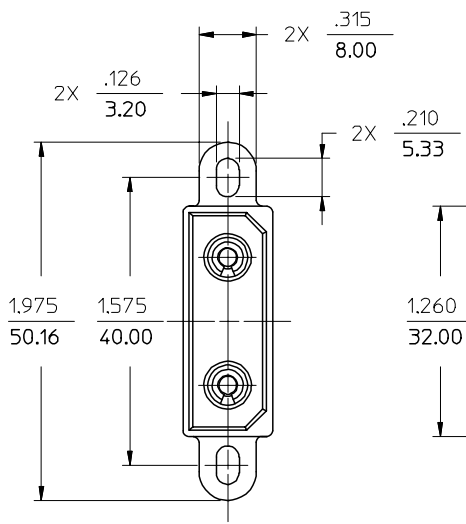
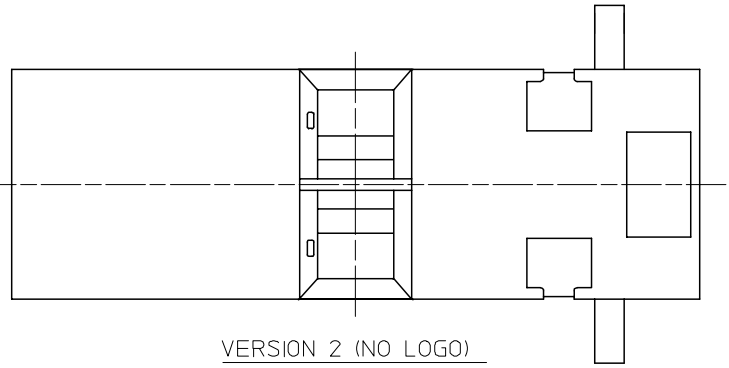


| P/N OF ADAPTER | MATERIAL OF SLEEVE | VERSION |
|----------------|--------------------|---------|
| 106140-2300 | CERAMIC | 1 |
| 106142-2300 | PHOS. BRONZE | |
| 106197-0700 | CERAMIC | 2 |



VERSION 1 (LOGO)

RECOMMENDED MOUNTING PATTERN



VERSION 2 (NO LOGO)

NOTES :
1. ALL DIMENSIONS ARE FOR REFERENCE ONLY.

| | | | | | | | |
|--|--------------------------------------|--|---|---------------------------------|-------------------------------------|---------------------------------------|-------------------------------|
| ENTER DESCRIPTION EC NO: MF2006-0767 DRW: DBAL TRUKONI S2006/05/22 CHKD: 2006/05/22 APPR: IGUMIN 2006/05/24 | QUALITY SYMBOLS = 0 = 0 | GENERAL TOLERANCES (UNLESS SPECIFIED) | | DIMENSION STYLE IN/MM | SCALE 1.5:1 | DESIGN UNITS INCH | THIRD ANGLE PROJECTION |
| | | 4 PLACES ± --- ± --- | DRAWN BY PGIBL IN | DATE 2005/10/26 | TITLE ESCON-ESCON ADAPTER | | |
| | | 3 PLACES ± --- ± --- | CHECKED BY | DATE | MATERIAL NO. SEE TABLE | | |
| | | 2 PLACES ± --- ± --- | APPROVED BY | | DATE | DOCUMENT NO. SD-1061YY-YY00 | |
| 1 PLACE ± --- ± --- | ANGULAR ±1/2° | | DRAFT WHERE APPLICABLE MUST REMAIN WITHIN DIMENSIONS | | SHEET NO. 1 OF 01 | | |
| THIS DRAWING CONTAINS INFORMATION THAT IS PROPRIETARY TO MOLEX INCORPORATED AND SHOULD NOT BE USED WITHOUT WRITTEN PERMISSION | | | | | | | |