

■ **Features**

- Single output from 5W
- 100-240Vac Universal Input
- Certificates: UL
- Frequency: 50-60Hz
- Ripple: 300mV
- SCP, OVP & OCP
- Input Plug: US
- Efficiency Level: VI
- Dimension: 67.5x26.41x52.3mm(exclude plug)
- Space Save Design Available



*Product images are for illustrative purposes only and may vary from actual design.

■ **Application**

- Consumer electronics, Telecom and office equipment
- Industrial equipment

■ **Model List**

Custom Designs Available!

Model	Output Voltage	Output Current	Power	Certifications
WM005Q-050-A-A1	5V	1A	5W	UL
WM005Q-050-A-USBC	5V	1A	5W	UL

■ **Technical Data**

Input Voltage	100-240Vac
Input Frequency	50/60Hz
Input Current	0.2A max
Inrush Current	60A, max. 25°C cold start at 240Vac
Leakage Current	0.25mA Max. at 240Vac input
Line Regulation	±5%
Load Regulation	±5%
Ripple and Noise	300mVp-p
Start-up time	3s
Rise time	100mS
Hold up time	5mS
Efficiency	Level VI
Short Circuit Protection	Auto recovery when short circuit fault is removed
Over Current Protection	Auto recovery when over current fault is removed
Over Voltage Protection	Auto recovery when over voltage fault is removed

Technical Sales / Customer Service: +1-818-338-7788 • Email: sales@autec.com

31328 Via Colinas Suite 102 • Westlake Village, CA 91362 USA • www.autec.com

June 14, 2022

■ Technical Data

Operating Temperature	0°C to 40°C, Full load
Storage Temperature	-20°C to 60°C
Operating Humidity	20%~85% RH non-condensing
Storage Humidity	5%~95% RH non-condensing
MTBF	50,000 hours as per Telcordia SR-332, 0~40°C
Dimensions LxWxH	67.5x26.41x52.3mm
Weight	58g
Packing	445x326x284mm

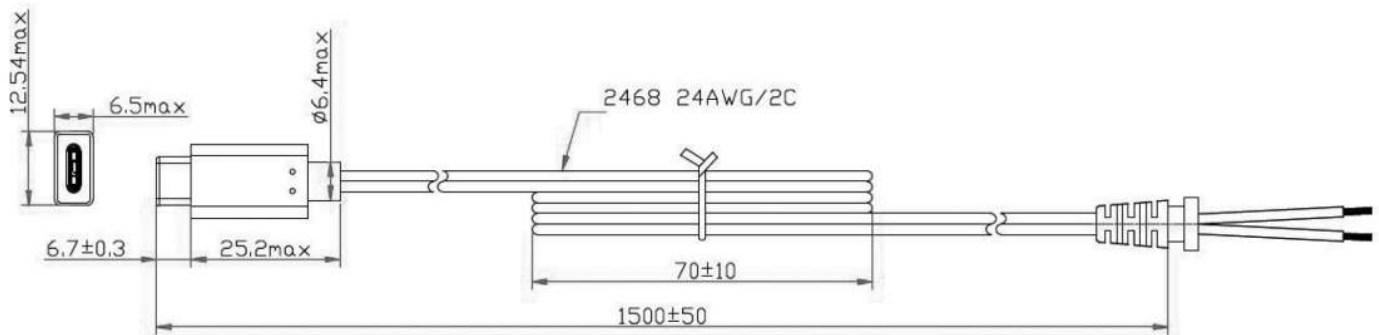
Notes: Ripple and noise is measured, 115/230Vac input at 25C, 20MHz bandwidth oscilloscope, output terminated with 10μF aluminum electrolytic and 0.1μF ceramic capacitors.

■ Safety and EMI Standard

Safety	UL, cUL (62368)
Isolation voltage	input to output at 10 mA for 1 minute 500 Vdc, 3000Vac/50MΩ
EMI/EMC	Designed to meet FCC (Part 15 Class B or ICES-003 Issue 6 Class B)

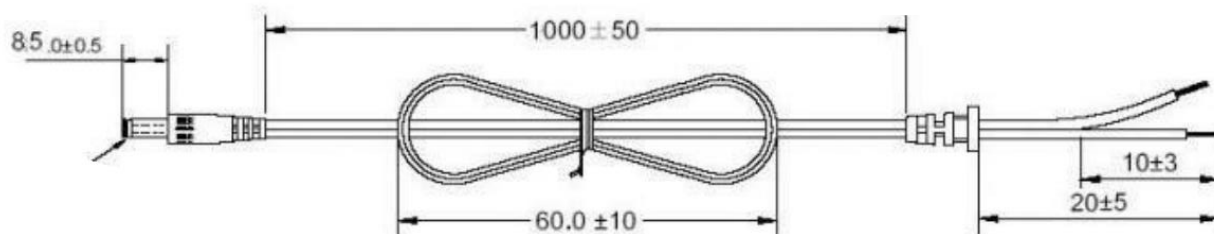
■ Mechanical Diagram

WM05Q-050-A-USBC

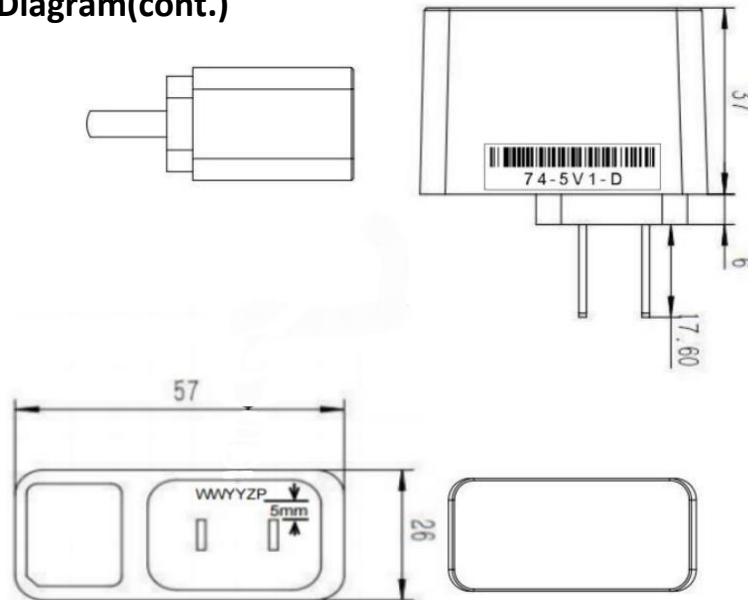


WM05Q-050-A-USB-A1

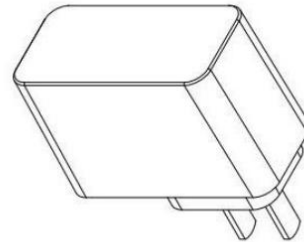
UL 2468 24AWG



■ Mechanical Diagram(cont.)



remarks: YVWZP
YY=production year
WW=production week
ZP=production location



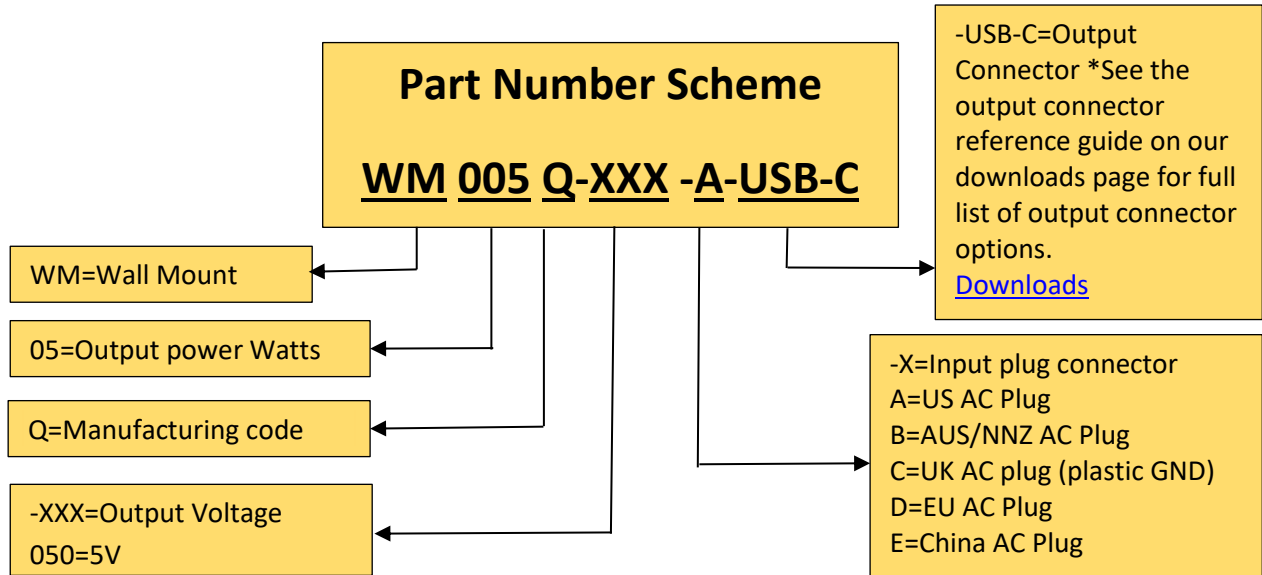
Part Number Scheme

WM 005 Q-XXX -A-A1

- WM=Wall Mount
- 005=Output power Watts
- Q=Manufacturing code
- XXX=Output Voltage
050=5V

-A1=Output Connector
*See the output connector reference guide on our downloads page for full list of output connector options.
[Downloads](#)

-X=Input plug connector
A=US AC Plug
B=AUS/NNZ AC Plug
C=UK AC plug (plastic GND)
D=EU AC Plug
E=China AC Plug



*Product images are for illustrative purposes only and may vary from actual design.

*Specifications are subject to change without notice. Autec is not responsible for issues arising from errors or omissions.