

QPD W 4PE2,5 6-11 M25 FC BK - Panel feed-through



1582559

<https://www.phoenixcontact.com/us/products/1582559>

Please be informed that the data shown in this PDF document is generated from our online catalog. Please find the complete data in the user documentation. Our general terms of use for downloads are valid.



QUICKON panel feed-through, black, 4+PE-pos. 1.0 mm² ... 2.5 mm²/690 V/20 A, with QUICKON nut, for 6 mm ... 11 mm cable diameter, M25 connection thread with 5 slip-on contacts for slip-on sleeves according to DIN 46247-2

Your advantages

- Innovative and time saving - QUICKON fast connection for time saving of up to 80 % for on-site connection
- Robust throughout: housing with IP68/IP69K and IK07 protection for a wide range of applications
- Safer connection with mechanical coding to protect against mismatching, and touch-proof protection in accordance with DIN EN 0105
- Efficient - by using panel feed-throughs, devices no longer need to be opened in order to connect cables

Commercial data

Item number	1582559
Packing unit	1 pc
Minimum order quantity	1 pc
Sales key	BF50
Product key	BF6ACB
Catalog page	Page 485 (C-2-2019)
GTIN	4046356661539
Weight per piece (including packing)	57.7 g
Weight per piece (excluding packing)	57.7 g
Customs tariff number	85366990
Country of origin	PL

1582559

<https://www.phoenixcontact.com/us/products/1582559>

Technical data

Product properties

Type	QPD 5x2,5
Product type	Panel feed-through
Product family	QPD
Number of positions	5
Connection profile	4+PE
Position marking	1, 2, 3, N, PE
Number of connections per position	1
Series	QPD
Coding	coded

Insulation characteristics

Overvoltage category	III
Degree of pollution	3

Connection data

Connection technology

Connection technology	QUICKON connection
Connection system, internal	IDC connection
Frequency of connections between conductors of the same cross section	max. 10

Conductor connection

Conductor cross section flexibel	1 mm ² ... 2.5 mm ²
Conductor cross section solid	1 mm ² ... 2.5 mm ²
Connection cross section AWG	16 ... 14
Wrench size, union nut	27 mm
Tightening torque, union nut	10 Nm
Wrench size, counter nut	30 mm
Tightening torque, counter nut	5 Nm

Dimensions

Dimensional drawing	
Width	34.6 mm
Height	34.6 mm
Length	71.8 mm
Diameter	34.6 mm
Wrench size, union nut	27 mm

QPD W 4PE2,5 6-11 M25 FC BK - Panel feed-through



1582559

<https://www.phoenixcontact.com/us/products/1582559>

Wrench size, counter nut	30 mm
Wrench size for mounting	27 mm
Dimensions of slip-on connection	4.8 x 0.8 mm

Electrical properties

Rated surge voltage (II/2)	8 kV
Rated surge voltage (III/2)	8 kV
Rated surge voltage (III/3)	6 kV
Rated current	20 A
Contact resistance	< 3 mΩ
rated voltage (II/2)	1000 V
rated voltage (III/2)	1000 V
Rated voltage (III/3)	690 V
Nominal voltage U_N	690 V AC 690 V DC
Nominal current I_N	20 A

Mechanical properties

Mechanical data

Insertion/withdrawal cycles	max. 50
-----------------------------	---------

Material specifications

Material	PA
Flammability rating according to UL 94	V0
Contact material	Cu
Contact surface material	silver-plated
Contact carrier material	PA

Cable/line

Structure of individual litz in acc. with VDE 0295 / smallest wire diameter	VDE 0295 class 1 to 6/min. 0.15 mm
External cable diameter ()	6 mm ... 11 mm
Wire diameter including insulation	2 mm ... 3.8 mm
Position marking	1, 2, 3, N, PE
Material wire insulation	PVC/PE/TPE/rubber

Mounting

Mounting type	Front mounting M25
Wrench size	27 mm
Connection method	Spade connection

Environmental and real-life conditions

Ambient conditions

	IP66
--	------

QPD W 4PE2,5 6-11 M25 FC BK - Panel feed-through



1582559

<https://www.phoenixcontact.com/us/products/1582559>

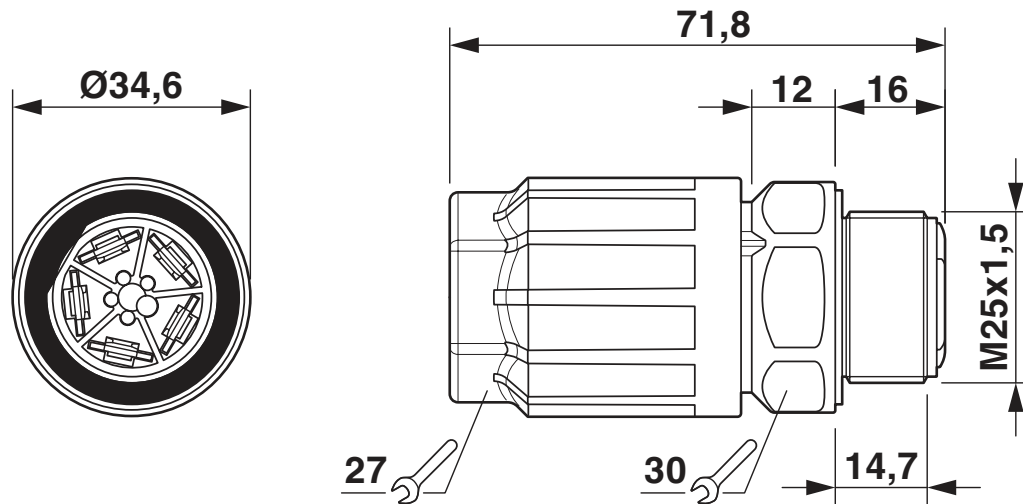
Degree of protection	IP68 (2 m / 24 h) IP69K
Ambient temperature (operation)	-40 °C ... 100 °C (dependent on the derating curve)
Temperature when conductor connected	-5 °C ... 50 °C
Ambient temperature (storage/transport)	-40 °C ... 80 °C

1582559

<https://www.phoenixcontact.com/us/products/1582559>

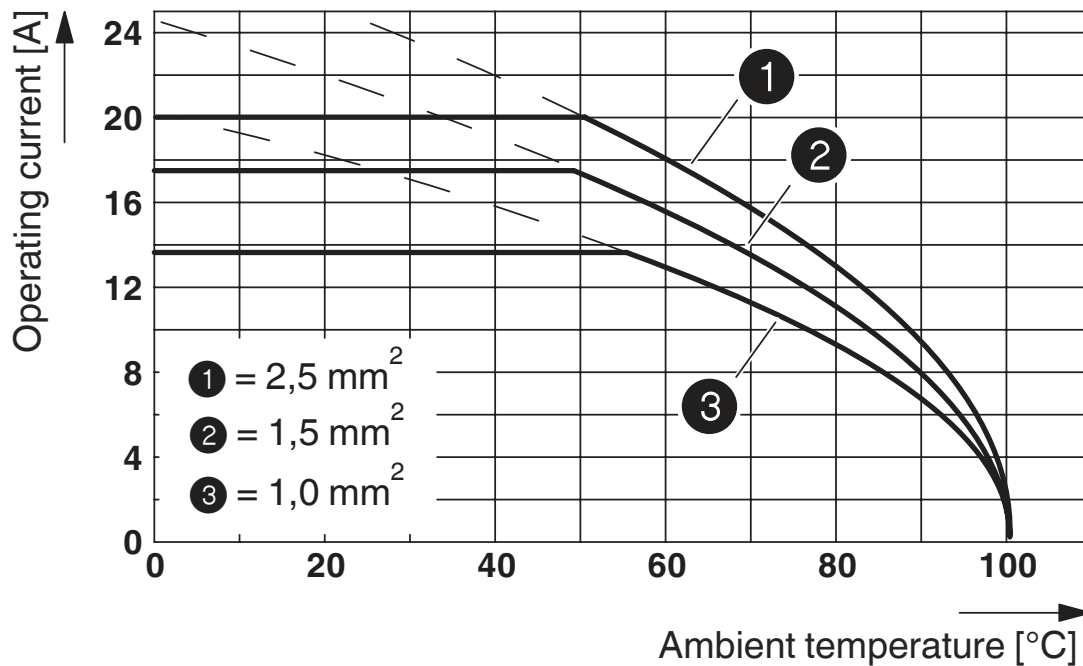
Drawings

Dimensional drawing



QPD W 4PE2.5 M25 dimensional drawing

Diagram



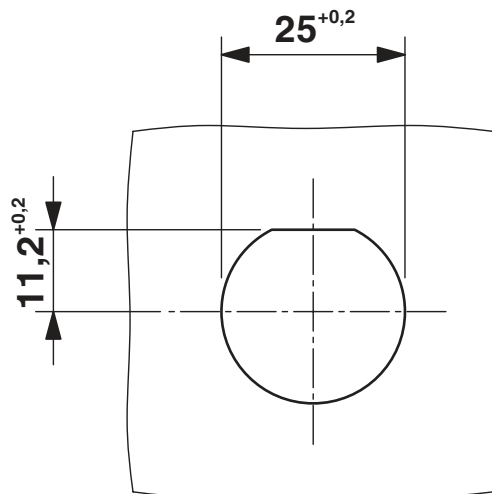
QPD W 4PE2,5 6-11 M25 FC BK - Panel feed-through

1582559

<https://www.phoenixcontact.com/us/products/1582559>



Dimensional drawing



Panel cutout

QPD W 4PE2,5 6-11 M25 FC BK - Panel feed-through



1582559

<https://www.phoenixcontact.com/us/products/1582559>

Approvals

To download certificates, visit the product detail page: <https://www.phoenixcontact.com/us/products/1582559>



IECEE CB Scheme
Approval ID: DE1-65875



EAC
Approval ID: RU C-DE.AI30.B.01102



DNV GL
Approval ID: TAE00003J5



EAC
Approval ID: RU C-DE.BL08.B.00511



VDE Zeichengenehmigung
Approval ID: 40029149



UL Listed
Approval ID: E468743

Nominal voltage U_N	Nominal current I_N	Cross section AWG	Cross section mm^2
600 V	10 A	-	- 14



cUL Listed
Approval ID: E468743

Nominal voltage U_N	Nominal current I_N	Cross section AWG	Cross section mm^2
600 V	10 A	- 14	-

cULus Listed

1582559

<https://www.phoenixcontact.com/us/products/1582559>

Classifications

ECLASS

ECLASS-11.0	27440602
ECLASS-13.0	27440602
ECLASS-12.0	27440602

ETIM

ETIM 8.0	EC002566
----------	----------

UNSPSC

UNSPSC 21.0	39121500
-------------	----------

1582559

<https://www.phoenixcontact.com/us/products/1582559>

Environmental product compliance

China RoHS	Environmentally friendly use period: unlimited = EFUP-e
	No hazardous substances above threshold values

QPD W 4PE2,5 6-11 M25 FC BK - Panel feed-through



1582559

<https://www.phoenixcontact.com/us/products/1582559>

Accessories

CP-QPD 5X2,5 - Coding profile

1404530

<https://www.phoenixcontact.com/us/products/1404530>



Coding profile, red, for insertion into the 5-pos. QUICKON dome and connector, can be positioned in 72° increments.

QPD QSK BK 5X2,5 FS - Protective cap

1404525

<https://www.phoenixcontact.com/us/products/1404525>



Protective cap, plastic, for QUICKON connection, black, with retaining cord, IP68

QPD W 4PE2,5 6-11 M25 FC BK - Panel feed-through



1582559

<https://www.phoenixcontact.com/us/products/1582559>

SEALING PLUG 10X16 RD - Closing cap

1400284

<https://www.phoenixcontact.com/us/products/1400284>

Closing cap, for threads pluggable, color: red



Q-MU M25 - Nut

1640715

<https://www.phoenixcontact.com/us/products/1640715>

Nut (plastic) to lock the contact carrier from the inside of the device



QPD W 4PE2,5 6-11 M25 FC BK - Panel feed-through

1582559

<https://www.phoenixcontact.com/us/products/1582559>



QPD W 4PE2,5 6-11 M20 0,5 BK - Panel feed-through

1403725

<https://www.phoenixcontact.com/us/products/1403725>



Panel feed-through, QUICKON connection, number of positions: 4+PE, 1 mm² ... 2.5 mm², 690 V, 20 A, black, with QUICKON nut, external cable diameter: 6 mm ... 11 mm, assembly thread: M20, IDC connection (welded-on), 2.5 mm², wires cut flat at the end, cable length: 0.5 m

QPD W 4PE2,5 6-11 M20 1,0 BK - Panel feed-through

1403727

<https://www.phoenixcontact.com/us/products/1403727>



Panel feed-through, QUICKON connection, number of positions: 4+PE, 1 mm² ... 2.5 mm², 690 V, 20 A, black, with QUICKON nut, external cable diameter: 6 mm ... 11 mm, assembly thread: M20, Single wires (welded-on), 2.5 mm², wires cut flat at the end, cable length: 1 m

QPD W 4PE2,5 6-11 M25 FC BK - Panel feed-through

1582559

<https://www.phoenixcontact.com/us/products/1582559>



QPD W 4PE2,5 6-11 M20 FC BK - Panel feed-through

1403729

<https://www.phoenixcontact.com/us/products/1403729>



Panel feed-through, QUICKON connection, number of positions: 4+PE, 1 mm² ... 2.5 mm², 690 V, 15 A, black, with QUICKON nut, external cable diameter: 6 mm ... 11 mm, assembly thread: M20, Spade connection (For slip-on sleeves according to DIN 46247-2)

QPD W 4PE2,5 6-11 M25 0,5 BK - Panel feed-through

1582557

<https://www.phoenixcontact.com/us/products/1582557>



Panel feed-through, QUICKON connection, number of positions: 4+PE, 1 mm² ... 2.5 mm², 690 V, 20 A, black, with QUICKON nut, external cable diameter: 6 mm ... 11 mm, assembly thread: M25, Single wires (welded-on), 2.5 mm², wires cut flat at the end, cable length: 0.5 m

QPD W 4PE2,5 6-11 M25 FC BK - Panel feed-through

1582559

<https://www.phoenixcontact.com/us/products/1582559>



QPD W 4PE2,5 6-11 M25 1,0 BK - Panel feed-through

1582558

<https://www.phoenixcontact.com/us/products/1582558>



Panel feed-through, QUICKON connection, number of positions: 4+PE, 1 mm² ... 2.5 mm², 690 V, 20 A, black, with QUICKON nut, external cable diameter: 6 mm ... 11 mm, assembly thread: M25, Single wires (welded-on), 2.5 mm², wires cut flat at the end, cable length: 1 m

QPD W 4PE2,5 6-11 M25 DT BK - Panel feed-through

1411432

<https://www.phoenixcontact.com/us/products/1411432>



Panel feed-through, QUICKON connection, number of positions: 4+PE, 1 mm² ... 2.5 mm², 690 V, 20 A, black, with QUICKON nut, external cable diameter: 6 mm ... 11 mm, assembly thread: M25, Push-in connection

QPD W 4PE2,5 6-11 M25 FC BK - Panel feed-through



1582559

<https://www.phoenixcontact.com/us/products/1582559>

QPD C 4PE2,5 1X6-11 BK - Conductor connectors

1403834

<https://www.phoenixcontact.com/us/products/1403834>



QUICKON cable connector, black, 4+PE-pos., 1.0 mm² ... 2.5 mm² / 690 V / 20 A, for 6 mm ... 11 mm cable diameter.

QPD C 4PE2,5 2X6-11 BK - Conductor connectors

1403838

<https://www.phoenixcontact.com/us/products/1403838>



QUICKON cable connector, black, 4+PE-pos., 1.0 mm² ... 2.5 mm² / 690 V / 20 A, for 6 mm ... 11 mm cable diameter.

QPD W 4PE2,5 6-11 M25 FC BK - Panel feed-through



1582559

<https://www.phoenixcontact.com/us/products/1582559>

QPD T 4PE 2X6-11 BK - T distributor

1405403

<https://www.phoenixcontact.com/us/products/1405403>



QUICKON T-distributor, black, 4+PE-pos., 1.0 mm² ... 2.5 mm²/690 V/20 A, for cable diameter of 6 mm ... 11 mm, with two QUICKON nuts

QPD T 4PE 3X6-11 BK - T distributor

1405401

<https://www.phoenixcontact.com/us/products/1405401>



T distributor, QUICKON connection, number of positions: 4+PE, 1 mm² ... 2.5 mm², 690 V, 20 A, black, With three QUICKON nuts, external cable diameter: 6 mm ... 11 mm

QPD W 4PE2,5 6-11 M25 FC BK - Panel feed-through



1582559

<https://www.phoenixcontact.com/us/products/1582559>

QPD H 4PE2,5 4X6-11 BK - H distributor

1406368

<https://www.phoenixcontact.com/us/products/1406368>



QUICKON H-distributor, black, 4 pos. +PE, 1.0 mm² ... 2.5 mm² / 690 V / 20 A, for cable diameters of 6 mm ... 11 mm, with a sealing bolt.

QPD N 4PE2,5 6-11 BK - Nut

1459663

<https://www.phoenixcontact.com/us/products/1459663>



QUICKON nut, black, 4+PE-pos., 1.0 mm² ... 2.5 mm²/690 V/20 A, for cables with 6 mm ... 11 mm diameter.

QPD W 4PE2,5 6-11 M25 FC BK - Panel feed-through



1582559

<https://www.phoenixcontact.com/us/products/1582559>

QPD P 4PE2,5 6-11 BK - Connector

1403784

<https://www.phoenixcontact.com/us/products/1403784>



QUICKON connector, black, 4+PE-pos., 1.0 mm² ... 2.5 mm²/690 V/20 A, with QUICKON nut, for cables with 6 mm ... 11 mm diameter.

QPD P 4PE2,5 6-11 TL BK - Connector

1039563

<https://www.phoenixcontact.com/us/products/1039563>



QUICKON connector, black, 4+PE-pos., 1.0 mm² ... 2.5 mm²/690 V/20 A, with QUICKON nut, for cables with 6 mm ... 11 mm diameter.

QPD W 4PE2,5 6-11 M25 FC BK - Panel feed-through



1582559

<https://www.phoenixcontact.com/us/products/1582559>

QSS 27 - Socket wrench

1670646

<https://www.phoenixcontact.com/us/products/1670646>



Allen wrench, for loosening and fastening the QUICKON union nut, WAF 27 mm

Phoenix Contact 2023 © - all rights reserved

<https://www.phoenixcontact.com>

Phoenix Contact USA

586 Fulling Mill Road

Middletown, PA 17057, United States

(+717) 944-1300

info@phoenixcon.com