

## OMX-01HMBT0011-T HDBaseT 4K HDMI Transmitter OMX-01HMBT0011-R HDBaseT 4K HDMI Receiver

### INSTALLATION & SPECIFICATIONS



Transmitter—Front



- 1 DC 48V: Plug in AC Power Adaptor
- 2 POWER LED Status Indicator
- 3 AUDIO IN-Connect to stereo analog output of the source device
- 4 IR IN2-Connect the IR Extender, ensure direct line-of-sight
- 5 IR OUT1-Connect the IR Blaster, ensure direct line-of-sight
- 6 RS232 3 Pin IN: Connect to computer or other device
- 7 Factory Use Only



Receiver—Front



- 1 Power LED Status Indicator
- 2 AUDIO OUT-Connect to speakers or amplifier for stereo analog audio
- 3 IR IN1-Connect the IR Extender
- 4 IR OUT2-Connect the IR Blaster
- 5 RS232 3 Pin OUT: Connect to device to be controlled
- 6 Factory Use Only

Transmitter—Side Panels



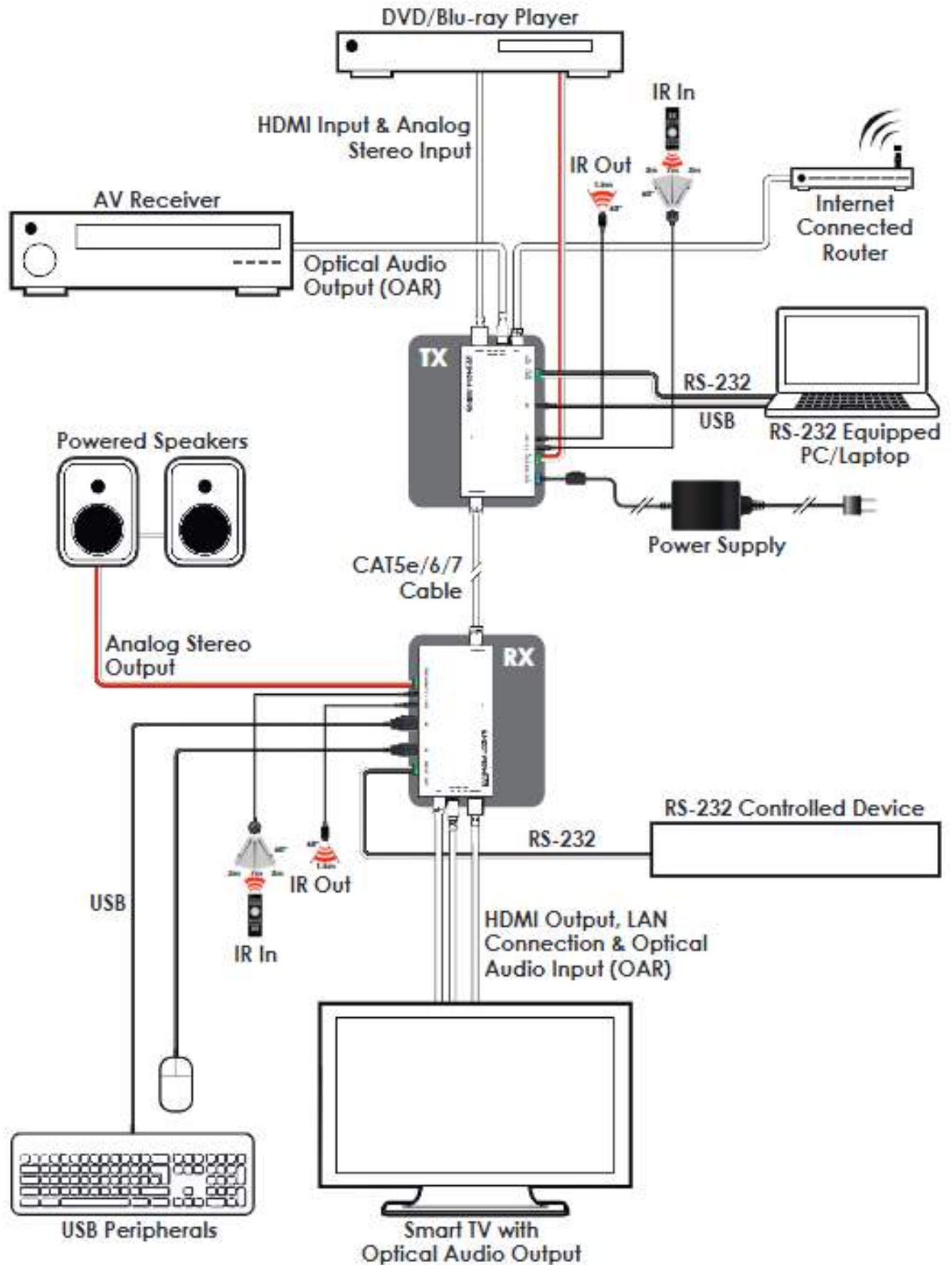
- 1 LAN-Connect to Ethernet device or to a local network. Left LED illuminates yellow to indicate LAN connection & flashes indicating data transmission. Right LED illuminates green when Ethernet speed is 110Mbit/s.
- 2 OPT. OUT: Connect to an audio receiver or powered speaker set.
- 3 ARC OUT ON/OFF:  
ON: ARC audio routed to the HDMI input & OPT.OUT port. To ensure the best audio quality use cables under 6.5 feet (2 meters)  
OFF: No ARC will pass
- 4 HDMI IN: Connect to HDMI source.
- 5 CAT5e/6/7 OUT: Connect to the RX. Left LED illuminates yellow when TX & RX are connected & flashes when there is a data link ERROR. Right LED illuminates green when PoH is active.

Receiver—Side Panels



- 1 LAN-Connect to Ethernet device or to a local network. Left LED illuminates yellow to indicate LAN connection & flashes indicating data transmission. Right LED illuminates green when Ethernet speed is 110Mbit/s.
- 2 OPT. IN: Connect to an audio source.
- 3 ARC IN/OPT.IN: Switch between sending audio to TX from HDMI output ARC channel or from the RX OPT.IN port. To ensure the best audio quality use cables under 6.5 feet (2 meters)
- 4 HDMI OUT: Connect to HDMI display or amplifier
- 5 CAT5e/6/7 OUT: Connect to the TX. Left LED illuminates yellow when TX & RX are connected & flashes when there is a data link ERROR. Right LED illuminates green when PoH is active.

Typical Application



FEATURES	SPECIFICATIONS	
100BaseT Ethernet, 48V PoH, and Two-Way IR/3-Pin RS232 Pass Through	Compliance	HDCP 2.2
LAN / Ethernet Port	Video Bandwidth	10.2Gpbs
Transmission Distance: 328 Feet over Cat6/7 and 295 Feet over Cat 5e	HDMI Video Resolutions	480i@60Hz - 4K@60Hz (4:2:0, 8-bit) VGA@60Hz - WUXGA@60Hz (RB)
Video Resolution up to 4K@60Hz YUV 4:2:0 / 3D / DVI 1.0 Compatible	Audio Format	LPCM 2.0/5.1/7.1, Bitstream, HD Bitstream
Supports ARC & Optical Audio Sampling Rates up to 48kHz	RS232 Baud Rates	110-115200bps
48V PoH Transmitter to Receiver	IR Frequency	30-50kHz
Rugged Black Powder-Coated Metal Enclosure	Power Consumption	17W
CE, FCC Certified	Dimensions (HxWxD)	0.63in x 7.2 x 3.15 in each unit
Includes: TX: (1) IR Extender Cable, (2) 3Pin Terminal Blocks, (2) Mounting Ears & Screws, (1) 48V/0.83A power adapter w/cord RX: (1) IR Blaster Cable, (2) 3Pin Terminal Blocks, (2) Mounting Ears & Screws	Weight	TX 12.5 oz, RX 12.56 oz

## SAFETY PRECAUTIONS

- To prevent fire or shock hazard, do not expose this equipment to dust or high humidity. Do not use in an unprotected outdoor installation or in areas classified as overly damp or wet.
- The installation temperature should be kept between 32°F to 140°F (0°C to 60°C). Avoid direct sunlight exposure or extreme changes of temperature over a short period of time.
- Do not place the unit on an unstable base and avoid heavy impact.
- Proper ventilation is required for permanent installation. Do not block or cover enclosure openings as they protect the unit from overheating.
- Prior to cleaning, turn the power off and unplug the unit from all connections. Use a damp cloth. Do not use liquid or aerosol cleaners.
- Do not overload outlets and extension cords as this may result in a risk of fire or electric shock.
- Enclosure entry is dangerous. Never push objects of any kind, including liquids, through openings as they may touch dangerous voltage points or short-out parts that could result in a fire or electric shock.
- Do not open or service this unit yourself as opening or removing covers may expose you to dangerous voltage and other hazards.
- There are no user-serviceable parts inside the unit. If the unit requires service contact your authorized dealer, or authorized repair service company.

## Federal Communications Commission (FCC) Compliance Notices

### Class A Interference Statement

This equipment has been tested and found to comply with the limits for a Class A digital device, pursuant to part 15 of the FCC Rules. These limits are designed to provide reasonable protection against harmful interference when the equipment is operated in a commercial environment. This equipment generates, uses, and can radiate radio frequency energy and, if not installed and used in accordance with the instruction manual, may cause harmful interference to radio communications. Operation of this equipment in a residential area is likely to cause harmful interference in which case the user will be required to correct the interference at his own expense.

### FCC Caution

This device complies with part 15 of the FCC Rules. Operation is subject to the following two conditions: (1) This device may not cause harmful interference, and (2) this device must accept any interference received, including interference that may cause undesired operation.