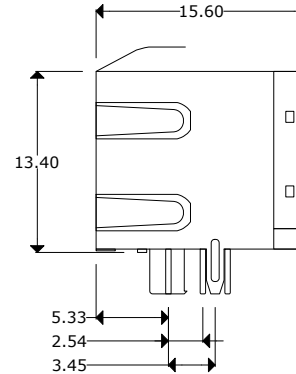
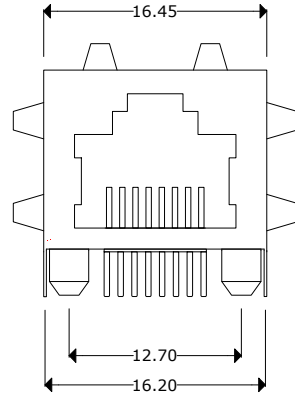
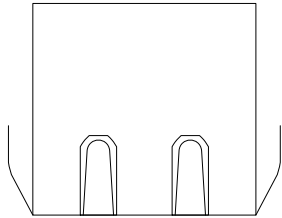
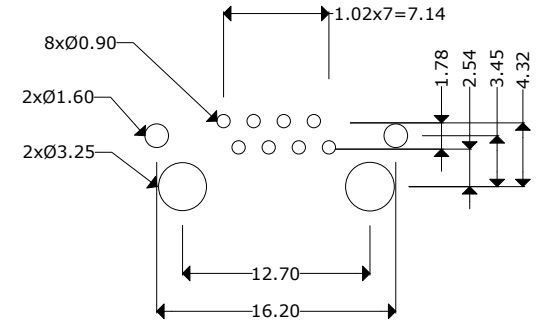


SCNRJ - 88GGNSEN - 483ESORTH

SUNTSU | **RJ45** | **CONTACTS** 8:8 | **MAGNETIC** N:None | **EMI Finger** E:With | **OPERATING TEMP** 48:-40~85°C | **CONTACT TERMINATION** SO:SOLDER
CONNECTOR | **POSITIONS** 8:8 | **CONTACT PLATING** GG:6u" Gold Plating | **SHIELD** S:With | **LED COLOR** N:None | **HEIGHT** 3E:13.4 | **MOUNTING STYLE** RTH:Right Angle Through Hole



PC Board Layout



Electrical Parameters

Voltage Rating: 125V
 Current Rating: 1.5A
 Contact Resistance: 30mΩ Max
 Insulation Resistance: 500MΩ/min.
 Dielectric Withstanding Voltage: 1000V

Materials

Housing: P.B.T. UL94V-0, Black
 Contact: 0.45mm diameter phosphor bronze
 Plating: gold plated over nickel
 Shielded: 0.25mm copper alloy with nickel plated

Remarks:
 Operating Life: 750 Cycles MIN.



RJ45 JACK TOP ENTRY

Document History				Part No.	Drawn
Edits Made	Date	Edited By	Approved By	SCNRJ-88GGNSEN-483ESORTH	B. Gibbons 10/18/2021
Initial Release	10/18/2021	B. Gibbons	KH Mun	Scale	Tolerance
				Not drawn to scale	.x±0.25 Unless otherwise stated, tolerances are .xx±0.20
				Unit	Pages
				mm	1/1