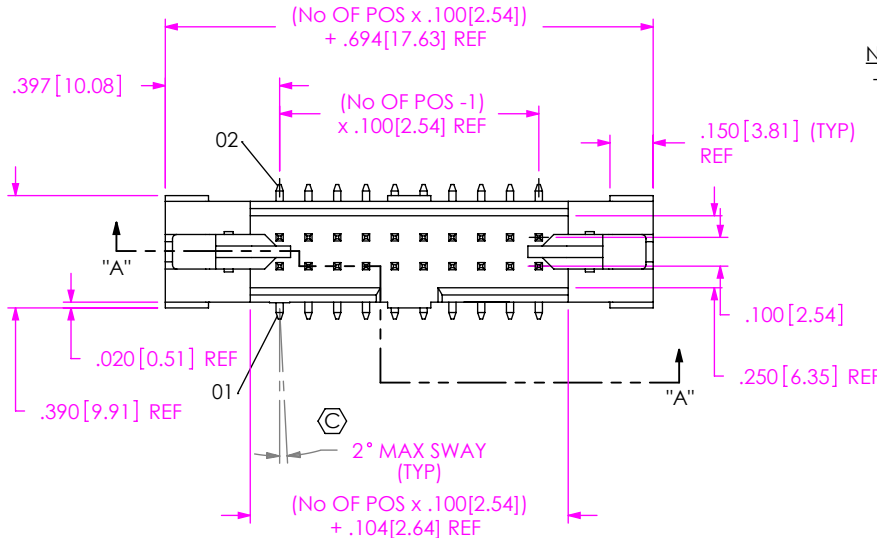


DO NOT SCALE FROM THIS PRINT

EJH-1XX-XX-XX-D-XX-XX-XX-X-XX



No OF POSITIONS

-05 THRU -25

LEAD STYLE

- 01: STANDARD (USE EJH-XX-D)
- 02: EXTENDED (SEE FIG 11, SHEET 4) (USE EJH-XX-D-EXT & EHA-03-EXT)

PLATING SPECIFICATION

- S: SELECTIVE GOLD, MATTE TIN TAIL (USE T-1S6X-XX-S-X)
- F: FLASH SELECTIVE GOLD, MATTE TIN TAIL (USE T-1S6X-XX-F-X)
- SM: SELECTIVE HEAVY GOLD, MATTE TIN TAIL (USE T-1S6X-XX-S-X)
- FM: FLASH SELECTIVE GOLD, MATTE TIN TAIL (USE T-1S6X-XX-F-X)
- L: LIGHT SELECTIVE GOLD, MATTE TIN TAIL (USE T-1S6X-XX-L-X)

PACKAGING

- BLANK: TUBES (SEE NOTE 12)
- TR: TAPE & REEL PACKAGING (SEE FIG 7, SHEET 3) (SEE NOTE 13 & 14) (FOR -SM-P, & -SM-K ONLY) (NOT AVAILABLE ON -SM-LC) (NOT AVAILABLE ON -25 POSITION)
- FR: FULL REEL QTY. TAPE & REEL (SEE FIG 7, SHEET 3) (SEE NOTE 13 & 14) (FOR -SM-P, & -SM-K ONLY) (NOT AVAILABLE ON -SM-LC) (NOT AVAILABLE ON -25 POSITION)

PICK & PLACE OPTION

- P: PICK & PLACE PAD (FOR -SM ONLY) (USE PPP-50, SEE FIGURE 6, SHEET 3)
- K: POLYIMIDE FILM (SEE FIG 3, SHEET 3) (USE K-850-650)

POLARIZED OPTION

-XX = PIN OMITED

OPTION

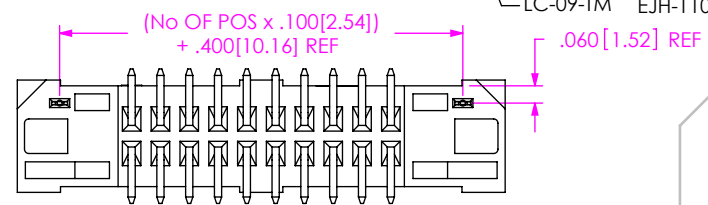
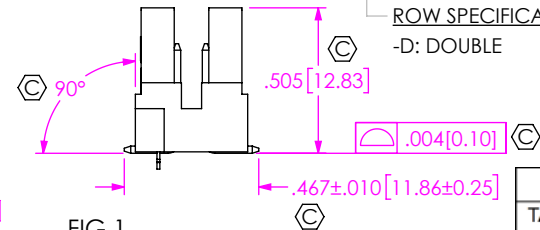
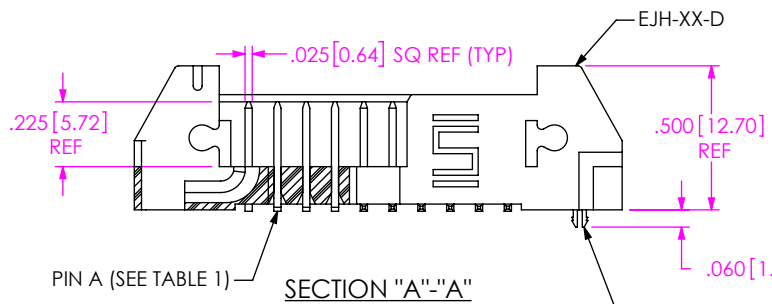
- LC: LOCKING CLIP (FOR -SM ONLY) (SEE NOTE 10)

TAIL OPTION

- SM: SURFACE MOUNT (SEE FIG 1)
- TH: THROUGH HOLE (SEE FIG 8, SHEET 2)
- RA: RIGHT ANGLE (SEE FIG 9, SHEET 2)

ROW SPECIFICATION

-D: DOUBLE



NOTES:

1. Ⓢ REPRESENTS A CRITICAL DIMENSION.
2. COPLANARITY TO BE: .004 MAX FOR POSITIONS -05 THRU -10 .006 MAX FOR POSITIONS -15 THRU -25
3. MAXIMUM BURR ALLOWANCE: .0015
4. MINIMUM PUSHOUT FORCE: 1 LB
5. MAXIMUM ALLOWABLE BOW: .002 INCH/INCH AFTER ASSEMBLY.
6. PARTS TO BE TUBED WITH EJECTOR ARMS IN THE UP POSITION AS SHOWN.
7. REPRESS TO DIMENSION SHOWN.
8. NOTE DELETED.
9. MEASURE FROM THE TIPS OF THE TERMINALS.
10. DUE TO THE HIGH AMOUNT OF INSERTION FORCE NEEDED, THE -LC OPTION IS NOT COMPATIBLE WITH AUTO PLACEMENT. SAMTEC RECOMMENDS MANUAL PLACEMENT FOR ALL ASSEMBLIES WITH THE -LC OPTION.
11. EJECTOR ARMS PRESENT ON ALL FINISHED ASSEMBLIES. REMOVED IN SOME CASES FOR CLARITY.
12. TUBES ARE STANDARD PACKAGING.
13. ORDERS WILL BE PACKAGED ACCORDING TO THE SAMTEC PACKAGING EFFICIENCY STANDARDS (SPES) FOUND ON WWW.SAMTEC.COM
14. ATTACH LABEL -4X2 TO EACH REEL.

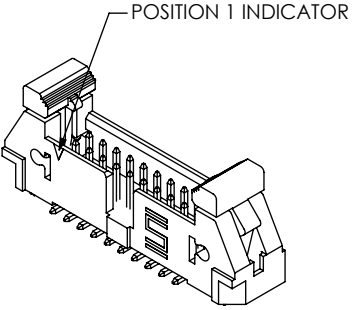
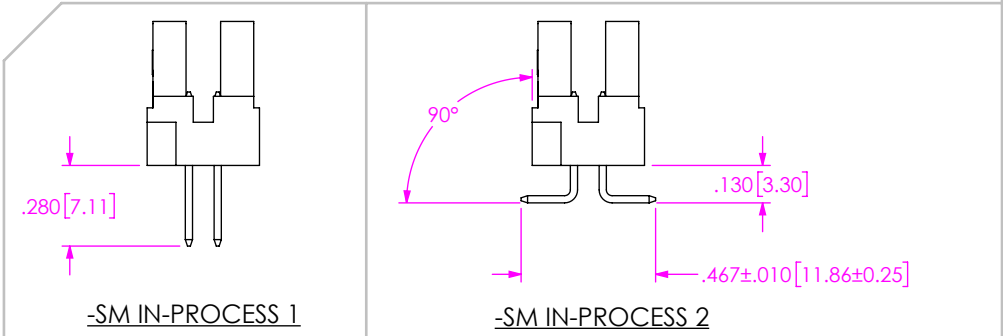


TABLE 1

TAIL OPTION	PIN A	PIN B
-SM	T-1S6-08-XX-2	--
-TH	T-1S6-22-XX-2	--
-RA	T-1S64-01-XX	T-1S64-02-XX



UNLESS OTHERWISE SPECIFIED, DIMENSIONS ARE IN INCHES.

TOLERANCES ARE:  
 DECIMALS ANGLES  
 .XX: ±.01[0.3]  
 .XXX: ±.005[0.13]  
 .XXXX: ±.0020[0.051]

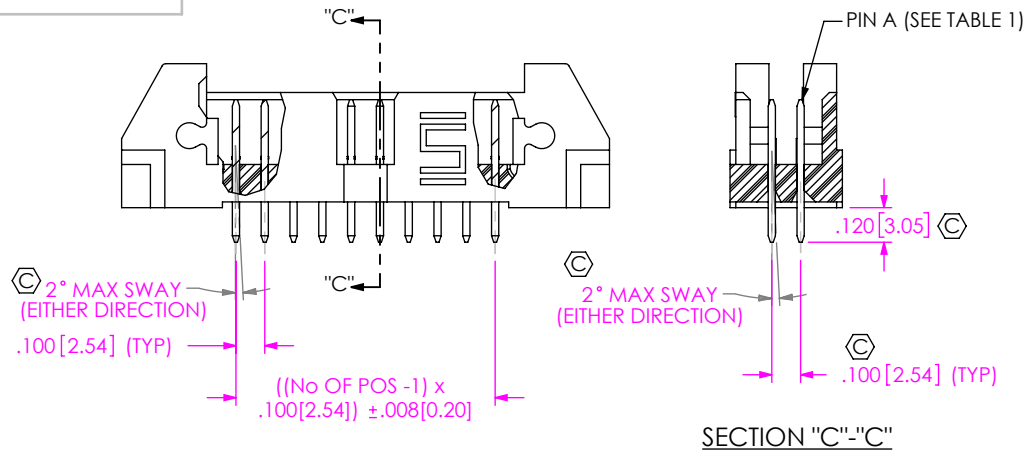
PROPRIETARY NOTE  
 THIS DOCUMENT CONTAINS CONFIDENTIAL AND PROPRIETARY INFORMATION AND ALL DESIGN, MANUFACTURING, REPRODUCTION, USE, PATENT RIGHTS AND SALES RIGHTS ARE EXPRESSLY RESERVED BY SAMTEC, INC. THIS DOCUMENT SHALL NOT BE DISCLOSED, IN WHOLE OR PART, TO ANY UNAUTHORIZED PERSON OR ENTITY NOR REPRODUCED, TRANSFERRED OR INCORPORATED IN ANY OTHER PROJECT IN ANY MANNER WITHOUT THE EXPRESS WRITTEN CONSENT OF SAMTEC, INC.



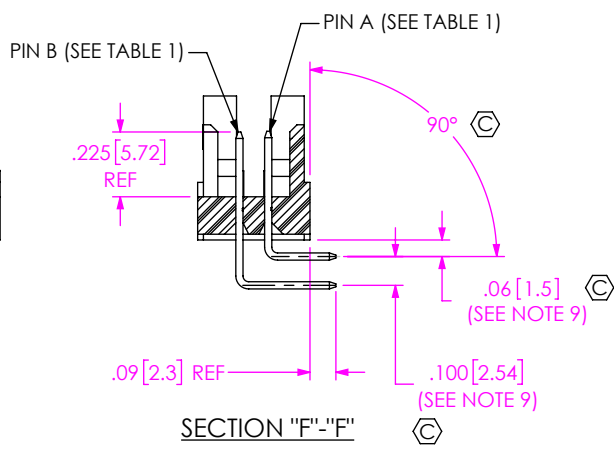
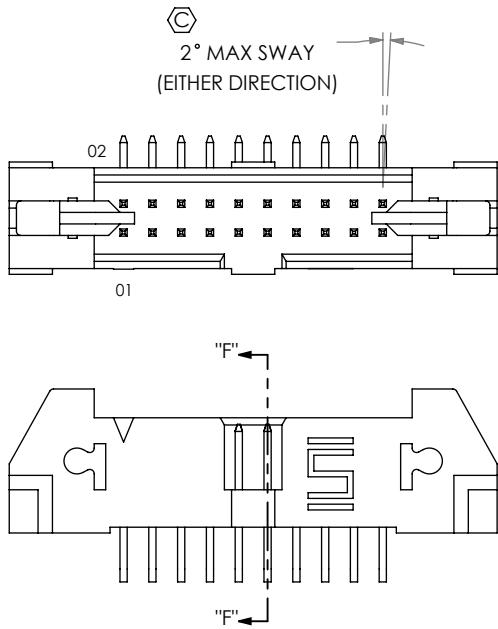
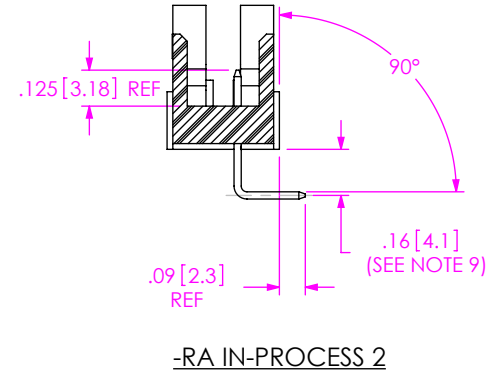
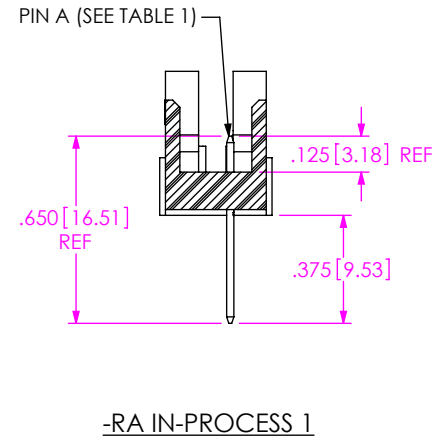
520 PARK EAST BLVD, NEW ALBANY, IN 47150  
 PHONE: 812-944-6733 FAX: 812-948-5047  
 e-Mail: info@SAMTEC.com code: 55322

MATERIAL: DO NOT SCALE DRAWING SHEET SCALE: 3:2  
 -01 INSULATOR: VECTRA E130i, COLOR: BLACK  
 -02 INSULATOR COLOR: NATURAL  
 TERMINAL: PHOS BRONZE 510 3/4 HARD

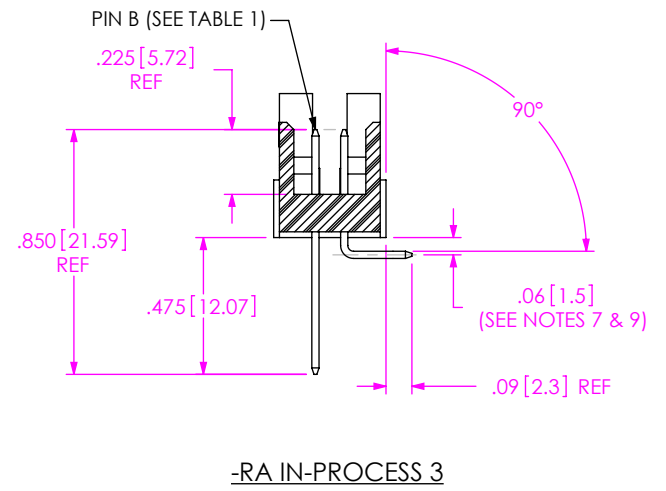
DESCRIPTION:  
 .100 x .100 EJECTOR HEADER ASSEMBLY  
 DWG. NO.  
**EJH-1XX-XX-XX-D-XX-XX-XX-X-XX**  
 BY: ERIC M. 09/19/01 SHEET 1 OF 4



**FIG 8**  
EJH-110-01-X-D-TH SHOWN  
[DIFFERENT AS SHOWN, OTHERWISE SAME AS FIG 1]



**FIG 9**  
EJH-110-01-X-D-RA SHOWN  
[DIFFERENT AS SHOWN, OTHERWISE SAME AS FIG 1]



**PROPRIETARY NOTE**  
THIS DOCUMENT CONTAINS CONFIDENTIAL AND PROPRIETARY INFORMATION AND ALL DESIGN, MANUFACTURING, REPRODUCTION, USE, PATENT RIGHTS AND SALES RIGHTS ARE EXPRESSLY RESERVED BY SAMTEC, INC. THIS DOCUMENT SHALL NOT BE DISCLOSED, IN WHOLE OR PART, TO ANY UNAUTHORIZED PERSON OR ENTITY NOR REPRODUCED, TRANSFERRED OR INCORPORATED IN ANY OTHER PROJECT IN ANY MANNER WITHOUT THE EXPRESS WRITTEN CONSENT OF SAMTEC, INC.

DO NOT SCALE DRAWING  
SHEET SCALE: 1.5:1



520 PARK EAST BLVD, NEW ALBANY, IN 47150  
PHONE: 812-944-6733 FAX: 812-948-5047  
e-Mail: info@SAMTEC.com code: 55322

DESCRIPTION:  
.100 x .100 EJECTOR HEADER ASSEMBLY  
DWG. NO.  
EJH-1XX-XX-XX-D-XX-XX-XX-X-XX  
BY: ERIC M. 09/19/01 SHEET 2 OF 4

REVISION AE

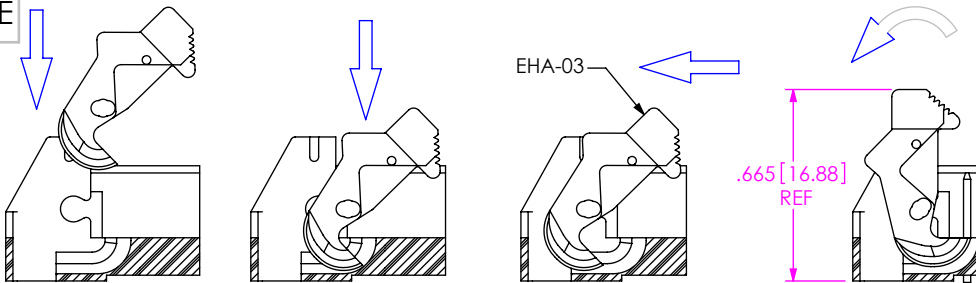
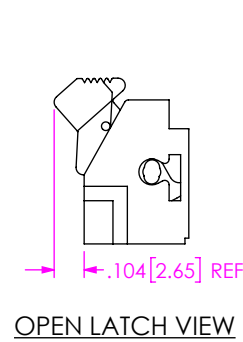
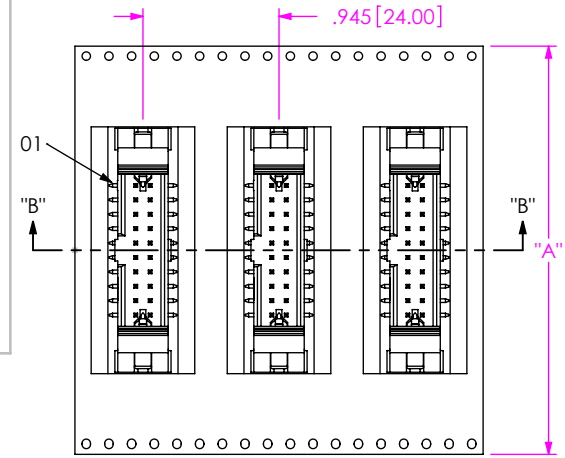


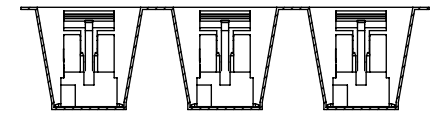
FIG 2  
IN-PROCESS VIEW: ARM ASSEMBLY & ROTATION



OPEN LATCH VIEW



USER DIRECTION OF UN-REELING  
POCKET NOT DETAILED



SECTION "B"-"B"  
SCALE 0.75 : 1

FIG 7  
-TR TAPE & REEL PACKAGING

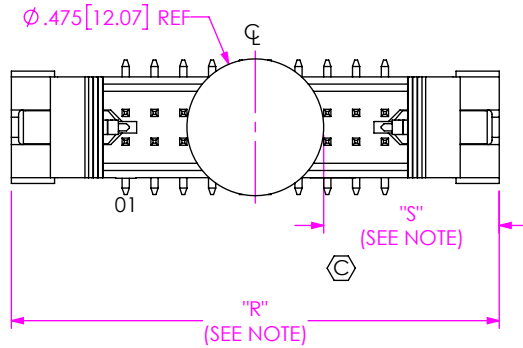
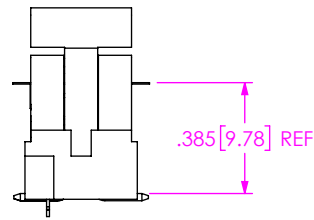


FIG 3  
-K: POLYIMIDE FILM



NOTE: "R" = USE MEASURED DIMENSION (REF)  
"S" = {"R" -.475[12.07]/2} ±.020[0.51]

PACKAGING TUBE VIEWS

TABLE 2	
No OF POS	"A"
-05	2.205 [56.00]
-07	2.205 [56.00]
-10	2.835 [72.00]
-15	3.465 [88.00]
-20	3.465 [88.00]

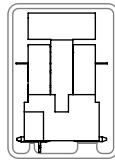
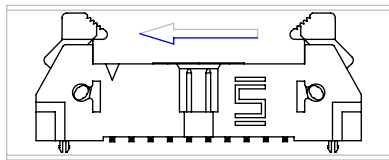


FIG 4  
SURFACE MOUNT  
(SEE NOTE 6)

TUBE: PT-1-24-01-121  
PLUG: TP-13

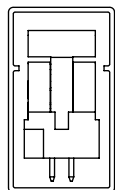
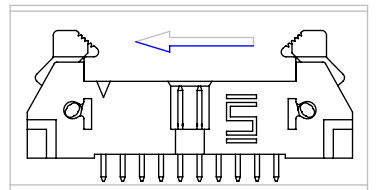


FIG 5  
THROUGH HOLE  
(SEE NOTE 6)

TUBE: PT-1-24-02-74  
PLUG: TP-26

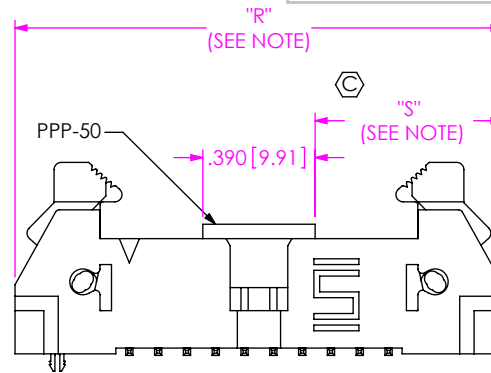
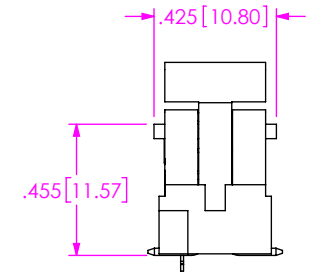


FIG 6  
-P: PICK & PLACE PAD



NOTE: "R" = USE MEASURED DIMENSION (REF)  
"S" = {"R" -.390[9.91]/2} ±.020[0.51]

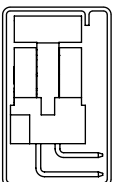
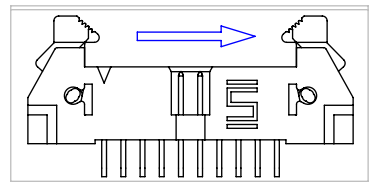


FIG 10  
RIGHT ANGLE  
(SEE NOTE 6)

TUBE: PT-1-24-01-131  
PLUG: TP-26

**PROPRIETARY NOTE**  
THIS DOCUMENT CONTAINS CONFIDENTIAL AND PROPRIETARY INFORMATION AND ALL DESIGN, MANUFACTURING, REPRODUCTION, USE, PATENT RIGHTS AND SALES RIGHTS ARE EXPRESSLY RESERVED BY SAMTEC, INC. THIS DOCUMENT SHALL NOT BE DISCLOSED, IN WHOLE OR PART, TO ANY UNAUTHORIZED PERSON OR ENTITY NOR REPRODUCED, TRANSFERRED OR INCORPORATED IN ANY OTHER PROJECT IN ANY MANNER WITHOUT THE EXPRESS WRITTEN CONSENT OF SAMTEC, INC.

DO NOT SCALE DRAWING

SHEET SCALE: 1:0.666667



520 PARK EAST BLVD. NEW ALBANY, IN 47150  
PHONE: 812-944-6733 FAX: 812-948-5047  
e-Mail: info@SAMTEC.com code: 55322

DESCRIPTION:  
.100 x .100 EJECTOR HEADER ASSEMBLY

DWG. NO.  
EJH-1XX-XX-XX-D-XX-XX-XX-X-XX

BY: ERIC M. 09/19/01 SHEET 3 OF 4

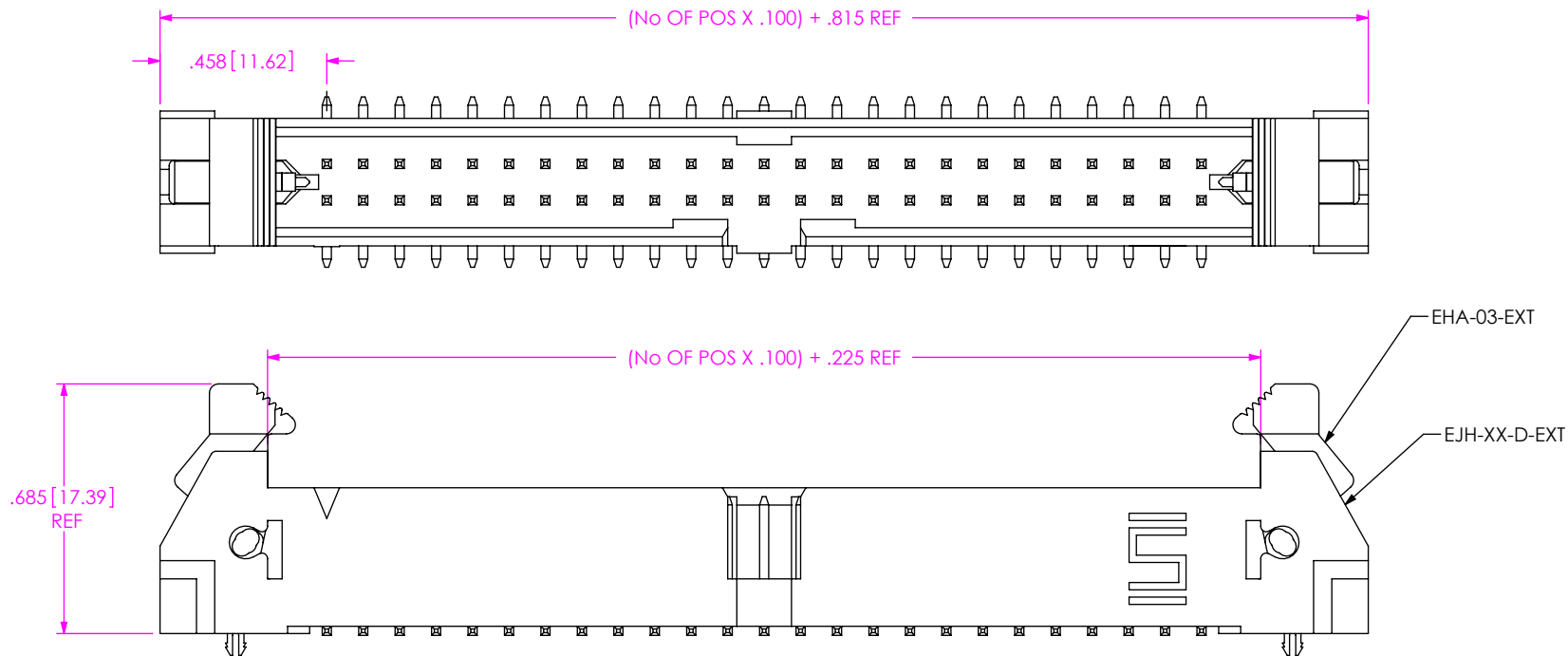


FIG 11  
 -02 LEAD STYLE  
 (SAME AS FIG 1, UNLESS OTHERWISE STATED)  
 (EJH-125-02-X-D-SM-LC SHOWN)

**PROPRIETARY NOTE**  
 \* THIS DOCUMENT CONTAINS CONFIDENTIAL AND PROPRIETARY INFORMATION AND ALL DESIGN, MANUFACTURING, REPRODUCTION, USE, PATENT RIGHTS AND SALES RIGHTS ARE EXPRESSLY RESERVED BY SAMTEC, INC. THIS DOCUMENT SHALL NOT BE DISCLOSED, IN WHOLE OR PART, TO ANY UNAUTHORIZED PERSON OR ENTITY NOR REPRODUCED, TRANSFERRED OR INCORPORATED IN ANY OTHER PROJECT IN ANY MANNER WITHOUT THE EXPRESS WRITTEN CONSENT OF SAMTEC, INC. \*

DO NOT SCALE DRAWING

SHEET SCALE: 2:1



520 PARK EAST BLVD, NEW ALBANY, IN 47150  
 PHONE: 812-944-6733 FAX: 812-948-5047  
 e-Mail: info@SAMTEC.com code: 55322

DESCRIPTION:  
 .100 x .100 EJECTOR HEADER ASSEMBLY

DWG. NO.  
 EJH-1XX-XX-XX-D-XX-XX-XX-X-XX

BY: ERIC M. 09/19/01 SHEET 4 OF 4