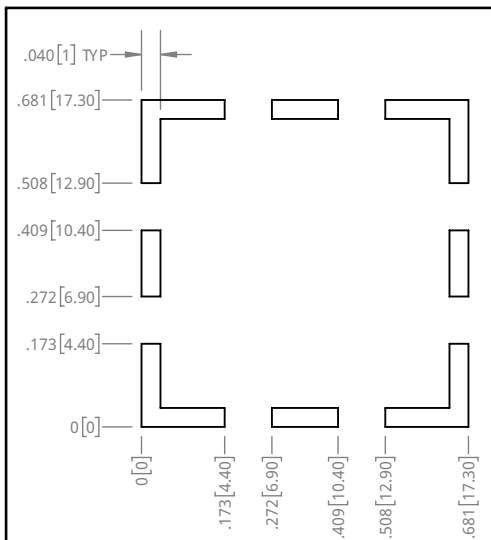
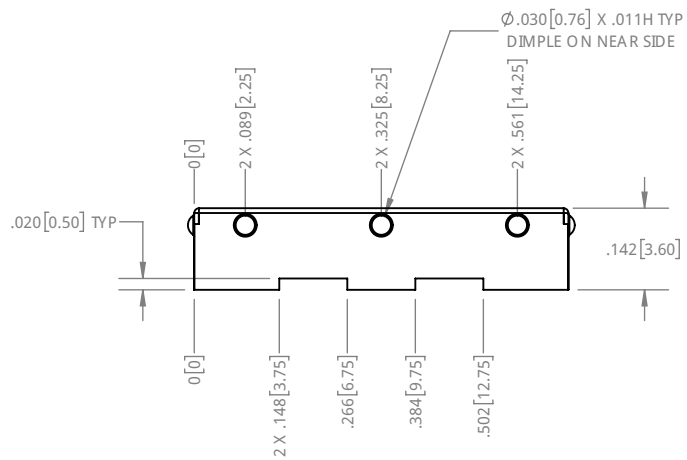
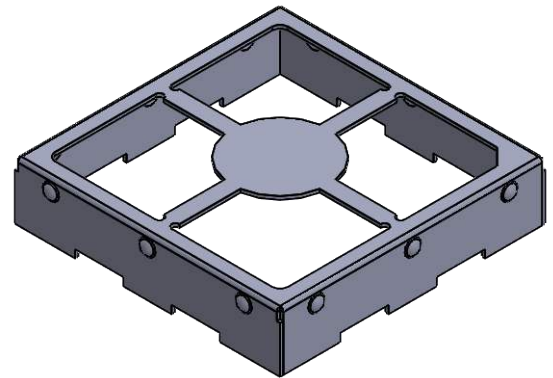
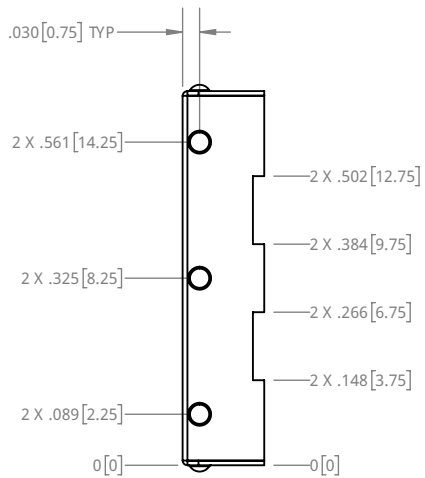
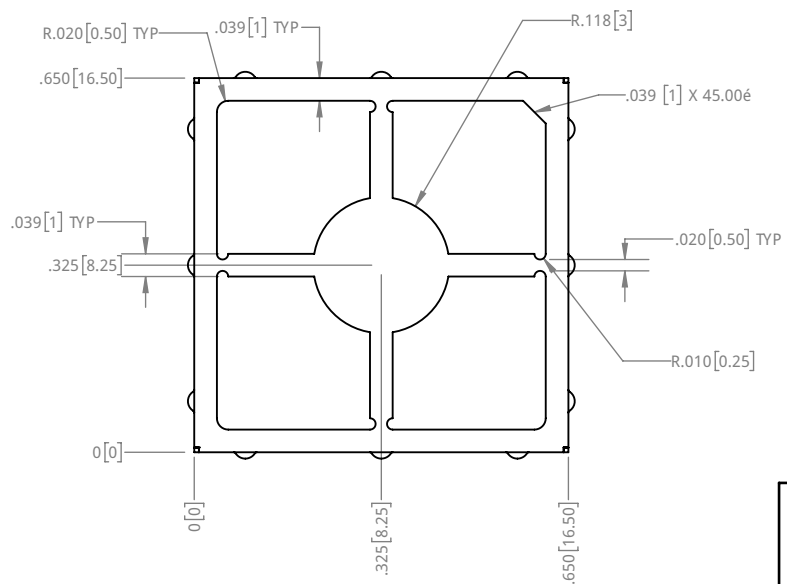
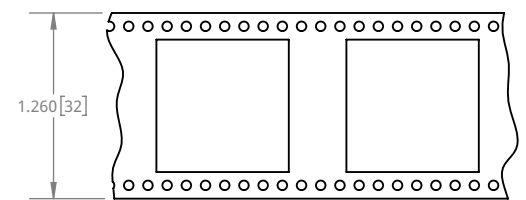


NOTES:

- MATERIAL: 0.008" NIC KEL SILVER
- PARTS PER REEL: 600



PCB FOOTPRINT



TAPE AND REEL

QE 15271

PROPRIETARY NOTICE: THESE DRAWINGS, LISTS OR SPECIFICATIONS ARE THE CONFIDENTIAL INFORMATION AND/OR TRADE SECRET OF 3G SHIELDING SPECIALTIES, P., AND IS/ARE IN STRICT CONFIDENCE. NO PART AS AUTHORIZED BY 3G SHIELDING SPECIALTIES IN WRITING. THESE DRAWINGS, LISTS OR SPECIFICATIONS SHALL NOT BE REPRODUCED, TRANSMITTED, USED FOR THE PHYSICAL MANUFACTURE OR SALE OF EQUIPMENT OR USED FOR ANY OTHER PURPOSE OTHER THAN EVALUATION.

UNLESS OTHERWISE SPECIFIED
U/M: INCHES
TOLERANCE: ±0.005

ROHS COMPLIANCE
2011/65/EU

DATE: 16-01-26



| | |
|---------------------------|--------------|
| PART NUMBER PIC-N-202F | REV. 0 |
| DESCRIPTION: SHIELD FRAME | |
| SCALE: 3:1 | SHEET 1 OF 1 |