
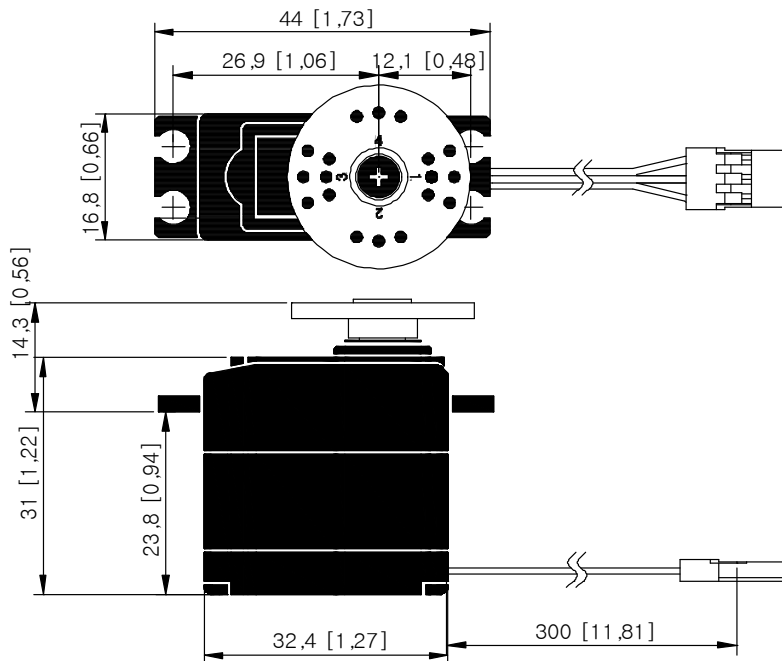


# HS-225MG General Specification.



## *MIGHTY MINI SERVO*

Control system	PWM			-
Position sensor type	Contact Analog Potentiometer			-
Operating voltage range	4.8 ~ 6.0 V			-
Motor type	Cored Metal Brush			-
Voltage	4.8V	6.0V	-	At 25°C, 45% (±10%) measurement environment
No load speed	0.15sec/60°	0.13sec/60°	-	
Stall torque	3.7 kgf·cm(51.38oz·in)	4.4 kgf·cm(61.1 oz·in)	-	
Standing current	7.4mA	7.7mA	-	
No load running current	260mA	360mA	-	
Stall current	1,600mA	2,000mA	-	
Dead band width	5usec	5usec	-	
Operating travel	40°/One side pulse traveling 400usec			
Operating temperature range	-20°C ~ +60°C (-4°F ~ +140°F)			-
Vibrations at no load	-			-
Storage temperature range	-30°C ~ +80°C (-31°F ~ +176°F)			-
Connector wire length	300mm(11.81inch)			
Connector wire gauge	24AWG			
Dimensions	32.4 mm x 16.8 mm x 31.0 mm ( 1.28inch x 0.66inch x 1.22inch )			-
Weight	31.0 g( 1.09oz)			-
Ball bearing	Dual Ball Bearing			-
Case material	Engineering Plastic			-
Gear material	1 Metal + Plastic & 3 Metal			-
Gear train backlash	Max 0.5°			-
Horn gear spline	24T(Ø6)			-
IP rate	-			-
Servo Amplifier type	Analog Contorller			-
Features	-			-
Applications	-			-



1:1 scale (unit : mm)

