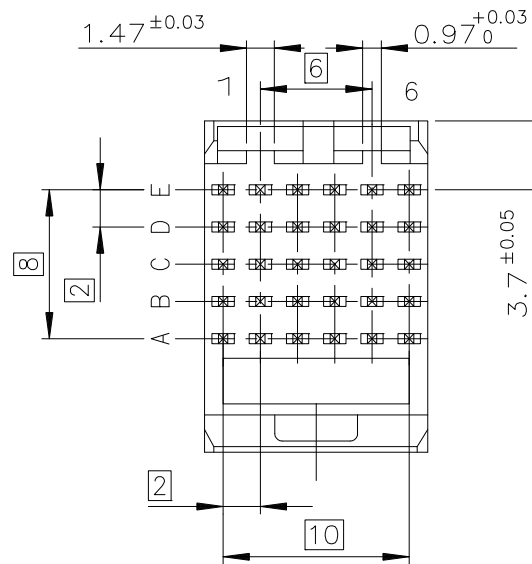
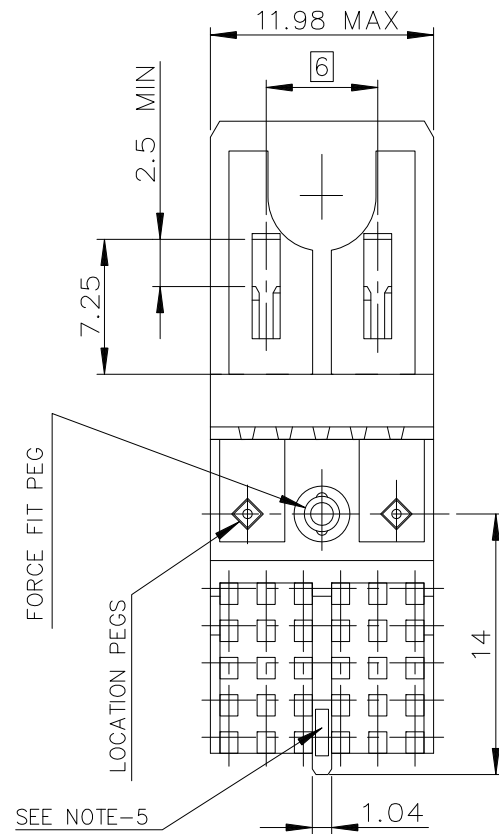
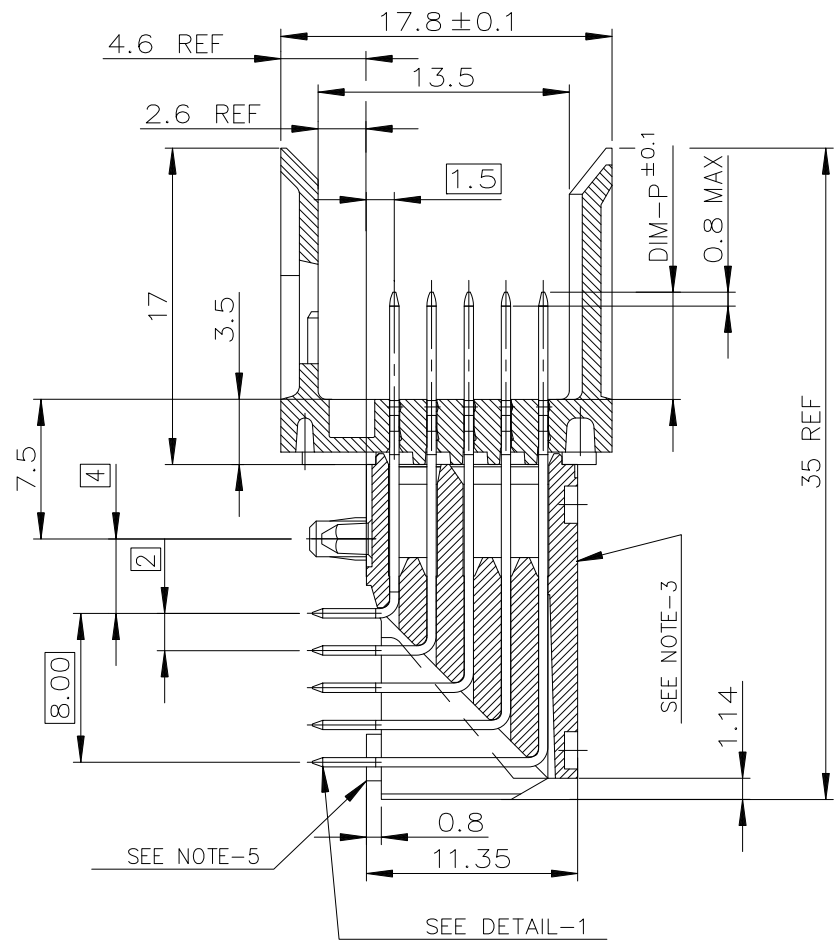


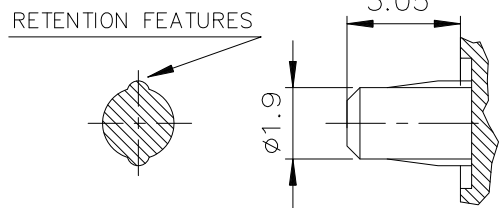
AFCI CONFIDENTIAL

Amphenol FCI

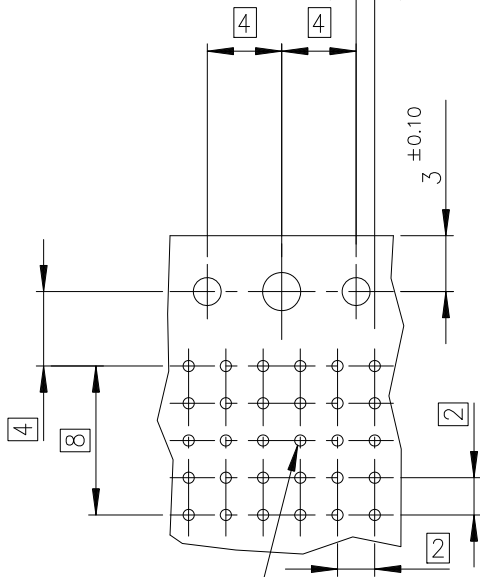
This document is the property of and embodies CONFIDENTIAL and PROPRIETARY information of AFCI. No part of the information shown on this document may be used in any way or disclosed to others without the written consent of AFCI.



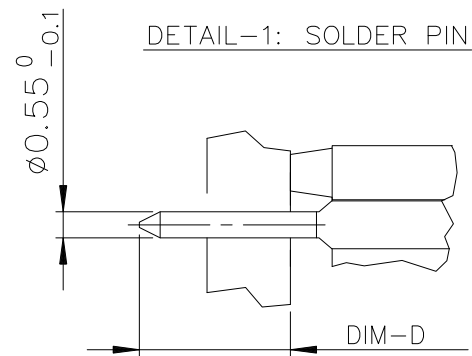
DETAIL OF FORCE-FIT PEGS



LAYOUT FOR P.C.B (PER 12mm LENGTH)



Hole according to product spec GS-12-445 (for press-fit), GS-12-446 (for STB)



PART NUMBER : HM1L51xyP000HzLF

MATING LENGTH DIM-P / REPLACE 'x' BY:						TERMINATION LENGTH DIM-D	D=2.90 ±0.3, Replace y by A D=3.70 ±0.3, Replace y by B
ROW-A	ROW-B	ROW-C	ROW-D	ROW-E			
A = 5.00	5.00	5.00	5.00	5.00	5.00	STD	
L = 5.75	5.75	5.75	5.75	5.75	5.75		
D = 6.50	6.50	6.50	6.50	6.50	6.50		
B = 6.50	5.00	5.00	5.00	5.00	5.00		
C = 6.50	5.75	5.75	6.50	5.75	5.75		

Special Loading

PART NUMBER / CONTACT LOADING						
MATING LENGTH DIM-P					PART NUMBER	
ROW-A	ROW-B	ROW-C	ROW-D	ROW-E	HM1L51LAP347HZPLF	DIM-D
5.75	5.75	—	5.75	5.75		2.90 ± 0.3

"—" EMPTY POSITION

GENERAL CHARACTERISTICS AND ROHS INFORMATIONS:
SEE PRODUCT SPECIFICATION GS-12-446

NOTE :

- MATERIAL : BODY : LCP UL94-V0
CONTACT : COPPER ALLOY.
- FOR PLATING PERFORMANCE REFER DRAWING # 101594.09
- INSERTION IN PCB, HANDLING OR BENCH PRESS.
- IF SUFFIX "P" IS ADDED IN P/N PACKAGING IS IN TRAYS BUT CONNECTOR MARKING IS WITHOUT "P"
EXAMPLE : HM1XXXXXXXXXHP, MARKED HM1XXXXXXXXXH6
- REAR CENTRAL SUPPORT FOR BETTER ASSY ON PCB
- A SYMBOL WILL BE NEXT TO ANY DIMENSION, VIEW, OR NOTE WHICH HAS BEEN MODIFIED WITH THE CURRENT DRAWING REVISION.
- THIS PRODUCT MEETS EUROPEAN UNION DIRECTIVES AND OTHER COUNTRY REGULATIONS AS DESCRIBED IN GS-47-0004.

mat'l. code		surface 58		tolerance		projection		product family	
-		ISO 1302		ISO 406 ISO 1101		MM		METRAL	
ltr		ecn no		dr		date		title	
c		LS05-001		MLE		2005-03-15		METRAL RA HEADER 5 ROW	
d		LS06-0095		LGO		2006-07-10		STANDARD SOLDER 30 WAY	
e		LS07-0184		MLE		2007-07-24			
f		DG10-0231		Cenh		2010-06-18			
g		ELX-1-38935		MINI		2020-11-12			
sheet index		revision		g		sheet		dwg no	
1		1		1		1		sheet 1 of 1	
								size 5	
								A3	
								type Customer Drawing	