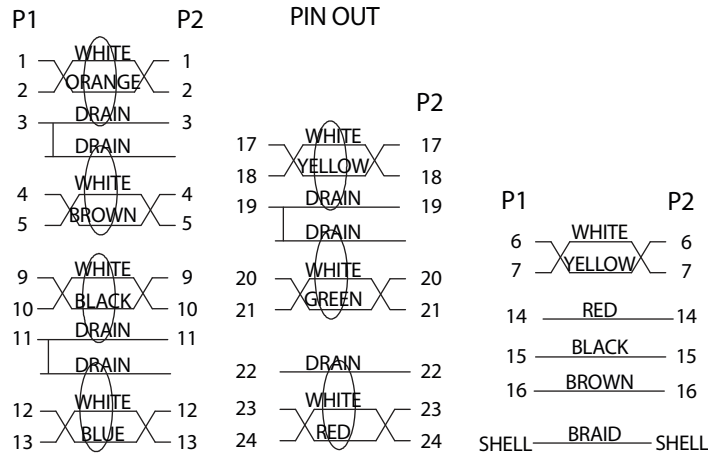
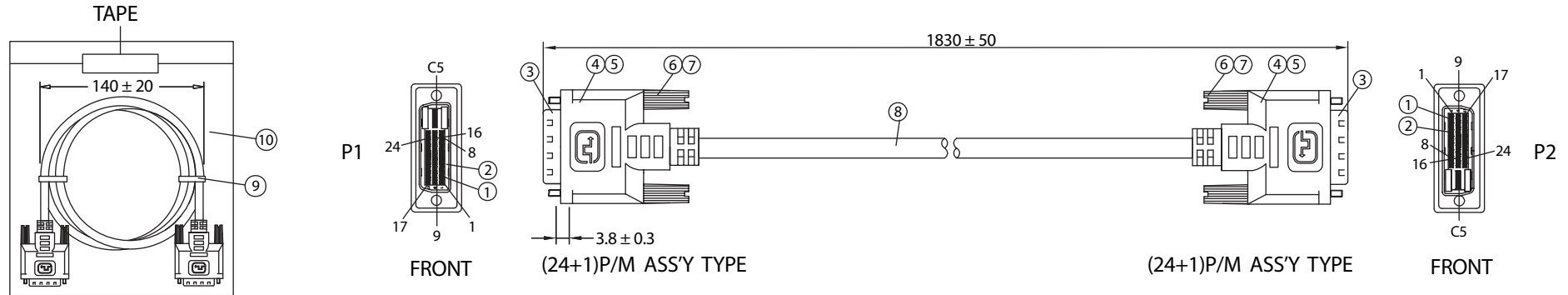


| REVISION | | | |
|----------|-------------|------|----------|
| REV. | DESCRIPTION | DATE | APPROVED |
| | | | |



NOTES:

- CABLE: UL20276
(28AWGx1P+DW+FOIL)x7+28AWGx3C+28AWGx1P+MYLAR+FOIL+BD
OD: 8.5 ± 0.3mm COLOR: BEIGE
PRINTING: "E166307 AWM 20276 28AWG 80°C 30V VW-1
LOW VOLTAGE COMPUTER CABLE"
- CONNECTORS: DVI(24+1)P/M-DVI(24+1)P/M
- HOOD: ASS'Y TYPE, COVER COLOR: BEIGE
- CABLE ELECTRICAL TEST:
 - <1>.100% OPEN SHORT & MISS WIRE TEST
 - <2>.INSULATION RESISTANCE: DC400V 10M ohm MIN.
 - <3>.CONDUCTOR RESISTANCE: 3 ohm MAX.
- PACKING: 1PC/POLYBAG

| No. | PARTS NAME | SPECIFICATION STANDARD | QTY | REMARKS |
|-----|-------------------------|-------------------------------|-----|---------|
| ① | DVI (24+1)P/M-CONTACT | BRASS/GOLD PLATED SOLDER TYPE | 50 | |
| ② | DVI (24+1)P/M-INSULATOR | THERMOPLASTIC/BLACK UL 94V-0 | 2 | |
| ③ | DVI (24+1)P/M-SHELL | NICKEL PLATED | 2 | |
| ④ | CAN | STEEL TIN PLATED, ID: 9.0mm | 2 | |
| ⑤ | DVI (24+1)P/M-COVER | 45P PVC/COLOR: BEIGE | 2 | |
| ⑥ | THUMB SCREW | #4-40 2.8x45,mm NICKEL PLATED | 4 | |
| ⑦ | SCREW-MOLD | 35P PVC/COLOR: BEIGE | 4 | |
| ⑧ | CABLE DVI 24+1 UL20276 | KL03007ABK01A | 1 | |
| ⑨ | MINI TIE | PE/BLACK | 2 | |
| ⑩ | POLYBAG | PE/0.08x180x200 | 1 | |

| Dim range (mm) | Tolerance +/- (mm) | Qualtek Electronics Corp. WCI DIVISION Part Number: 1321018-06 RoHS Compliant | | |
|----------------|--------------------|--|----------------|-----------------|
| 0-1 | 0.15 | Description: DVI (24+1)P/M - DVI (24+1)P/M | | |
| 1-6 | 0.20 | | | |
| 6-18 | 0.30 | | | |
| 18-50 | 0.50 | | | |
| 50-120 | 0.70 | Drawn / Date | Checked / Date | Approved / Date |
| 120-250 | 0.90 | B.Grubb 01-03-07 | 01-03-07 | JJH / 01-03-07 |
| 250-500 | 1.20 | | | |