

SACC-DSIV-M8FS-3CON-M10-L90 AU - Device connector, rear mounting



1424314

<https://www.phoenixcontact.com/us/products/1424314>

Please be informed that the data shown in this PDF document is generated from our online catalog. Please find the complete data in the user documentation. Our general terms of use for downloads are valid.



Device connector, rear mounting, 3-position, Socket, angled, M8, Rear mounting, M8 x 1, Solder pins

Commercial data

Item number	1424314
Packing unit	1 pc
Minimum order quantity	1,000 pc
Note	Made to order (non-returnable)
Sales key	AB22
Product key	ABQYAA
GTIN	4046356729093
Weight per piece (including packing)	6.95 g
Weight per piece (excluding packing)	6.95 g
Customs tariff number	85366990
Country of origin	DE

SACC-DSIV-M8FS-3CON-M10-L90 AU - Device connector, rear mounting



1424314

<https://www.phoenixcontact.com/us/products/1424314>

Technical data

Mounting

Mounting type	Rear mounting M8 x 1 With flat nut
Assembly instructions	With flat nut
Connection method	Solder pins

Product properties

Product type	Circular connectors (device side)
Number of positions	3
Shielded	yes
Coding	A

Insulation characteristics

Overvoltage category	II
Degree of pollution	3

Material specifications

Flammability rating according to UL 94	HB
Contact material	CuSn
Contact surface material	Au
Contact carrier material	PUR
Material for screw connection	Zinc die-cast, nickel-plated

Electrical properties

Nominal voltage U_N	30 V
Nominal current I_N	4 A

Connection data

Conductor connection

Connection method	Solder pins
-------------------	-------------

Connector

Connection 1

Head design	Socket
Head cable outlet	angled
Head thread type	M8

Environmental and real-life conditions

Ambient conditions

Degree of protection	IP67
	IP67

SACC-DSIV-M8FS-3CON-M10-L90 AU - Device connector, rear mounting



1424314

<https://www.phoenixcontact.com/us/products/1424314>

Ambient temperature (operation)	-25 °C ... 85 °C
---------------------------------	------------------

Standards and regulations

Standard designation	M8 connector
Standards/specifications	IEC 61076-2-104

SACC-DSIV-M8FS-3CON-M10-L90 AU - Device connector, rear mounting

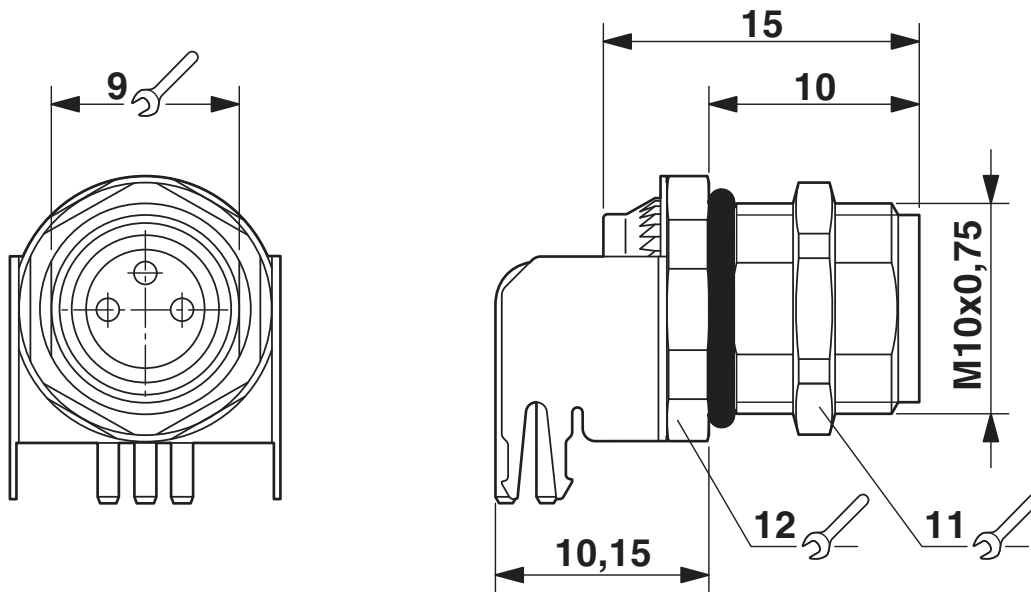


1424314

<https://www.phoenixcontact.com/us/products/1424314>

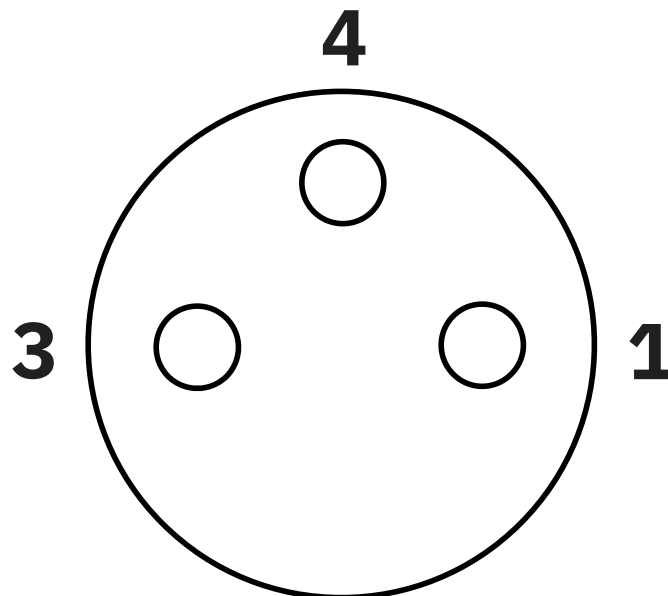
Drawings

Dimensional drawing



M8 flush-type socket

Schematic diagram



Pin assignment M8 socket, 3-pos., view female side

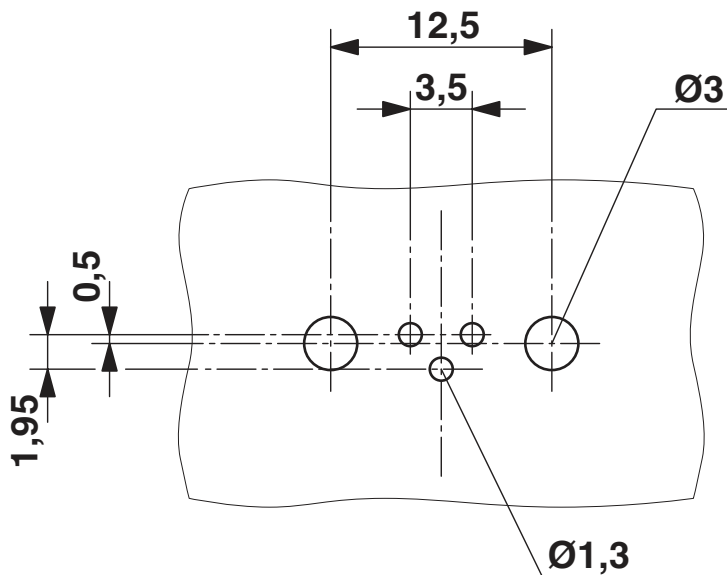
SACC-DSIV-M8FS-3CON-M10-L90 AU - Device connector, rear mounting



1424314

<https://www.phoenixcontact.com/us/products/1424314>

Drilling plan/solder pad geometry



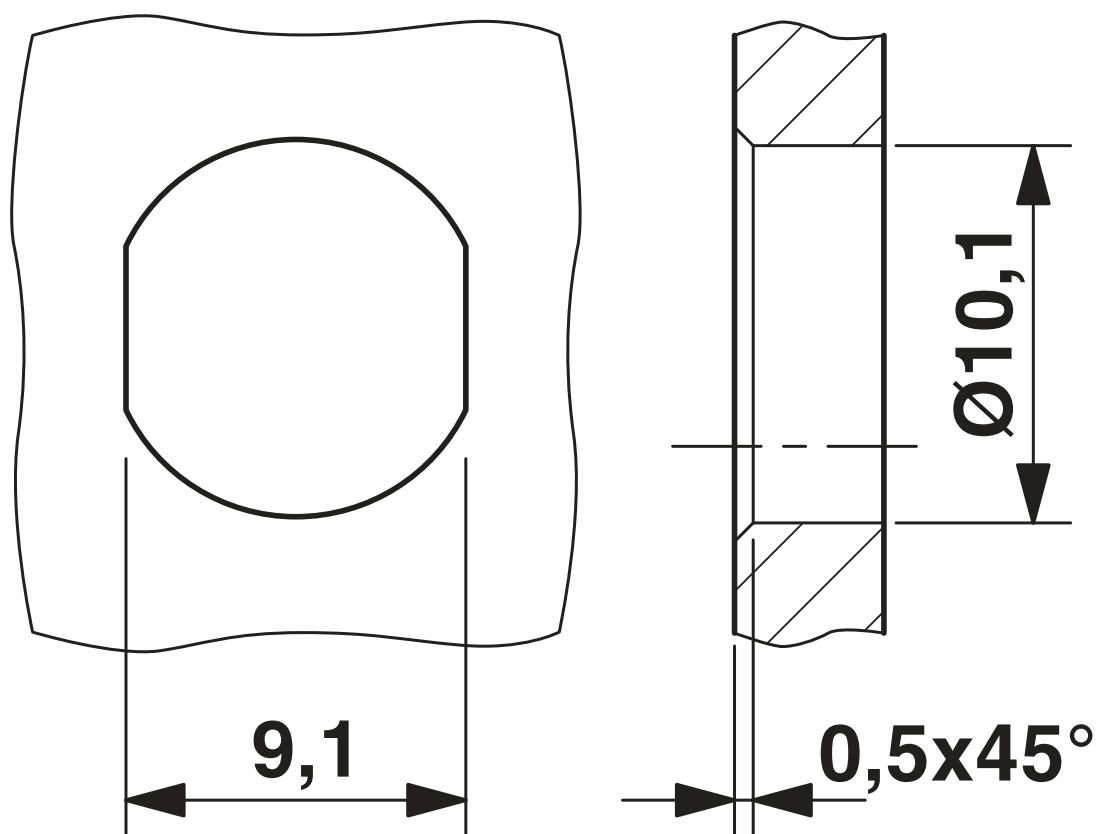
Drilling diagram

SACC-DSIV-M8FS-3CON-M10-L90 AU - Device connector, rear mounting

1424314

<https://www.phoenixcontact.com/us/products/1424314>

Dimensional drawing



Mounting panel with feed-through hole

SACC-DSIV-M8FS-3CON-M10-L90 AU - Device connector, rear mounting





1424314


<https://www.phoenixcontact.com/us/products/1424314>

Approvals

To download certificates, visit the product detail page: <https://www.phoenixcontact.com/us/products/1424314>

 cUL Recognized Approval ID: FILE E 221474	Nominal voltage U_N	Nominal current I_N	Cross section AWG	Cross section mm^2
	30 V	4 A	- 24	-

 UL Recognized Approval ID: FILE E 221474	Nominal voltage U_N	Nominal current I_N	Cross section AWG	Cross section mm^2
	30 V	4 A	- 24	-

 EAC Approval ID: B.01687
--

cULus Recognized

SACC-DSIV-M8FS-3CON-M10-L90 AU - Device connector, rear mounting



1424314

<https://www.phoenixcontact.com/us/products/1424314>

Classifications

ECLASS

ECLASS-11.0	27440102
ECLASS-12.0	27440116
ECLASS-13.0	27440116

ETIM

ETIM 8.0	EC002635
----------	----------

UNSPSC

UNSPSC 21.0	39121413
-------------	----------

SACC-DSIV-M8FS-3CON-M10-L90 AU - Device connector, rear mounting



1424314

<https://www.phoenixcontact.com/us/products/1424314>

Environmental product compliance

REACH SVHC	Lead 7439-92-1
China RoHS	Environmentally Friendly Use Period = 50 years
	For information on hazardous substances, refer to the manufacturer's declaration available under "Downloads"

Phoenix Contact 2023 © - all rights reserved
<https://www.phoenixcontact.com>

Phoenix Contact USA
586 Fulling Mill Road
Middletown, PA 17057, United States
(+717) 944-1300
info@phoenixcon.com