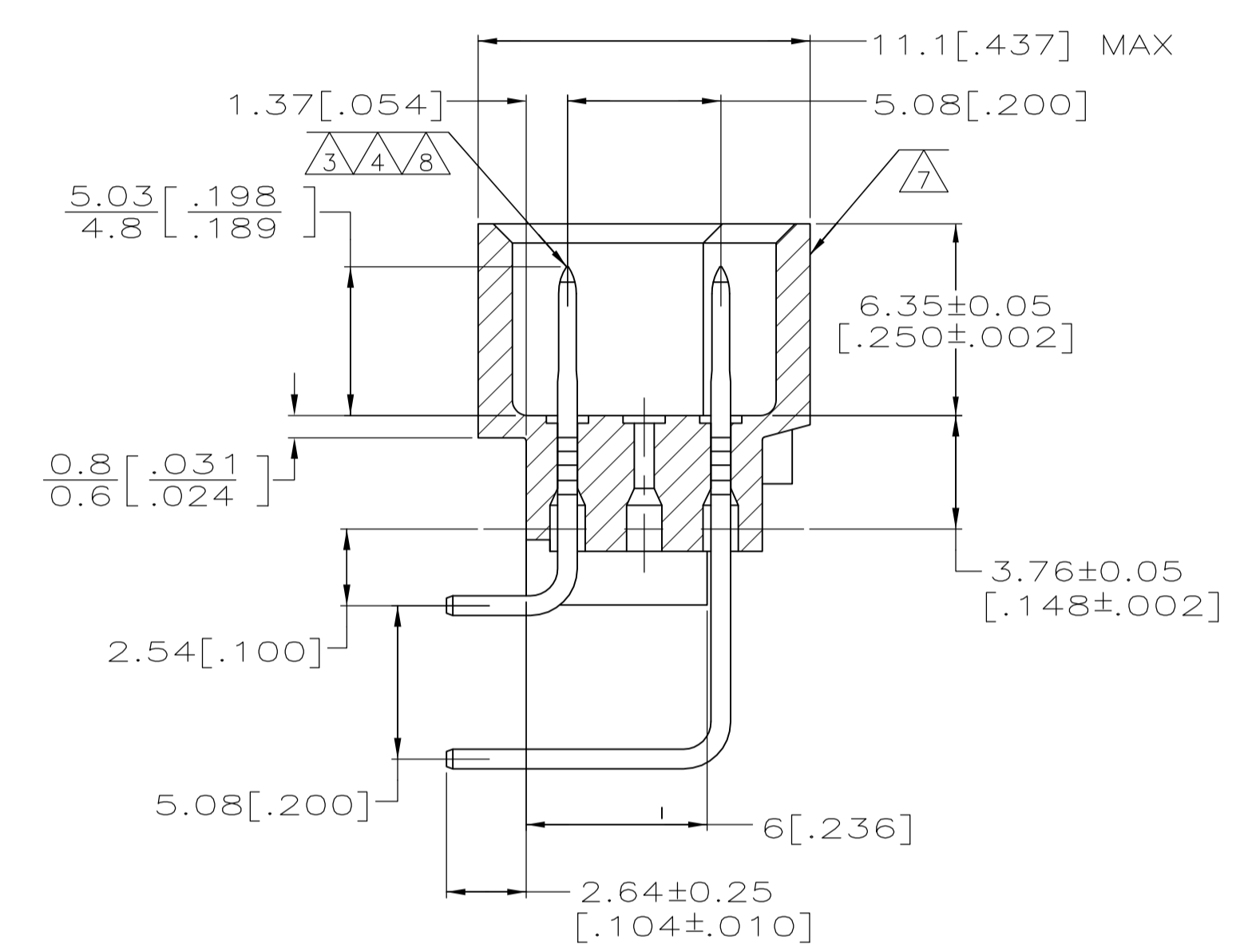
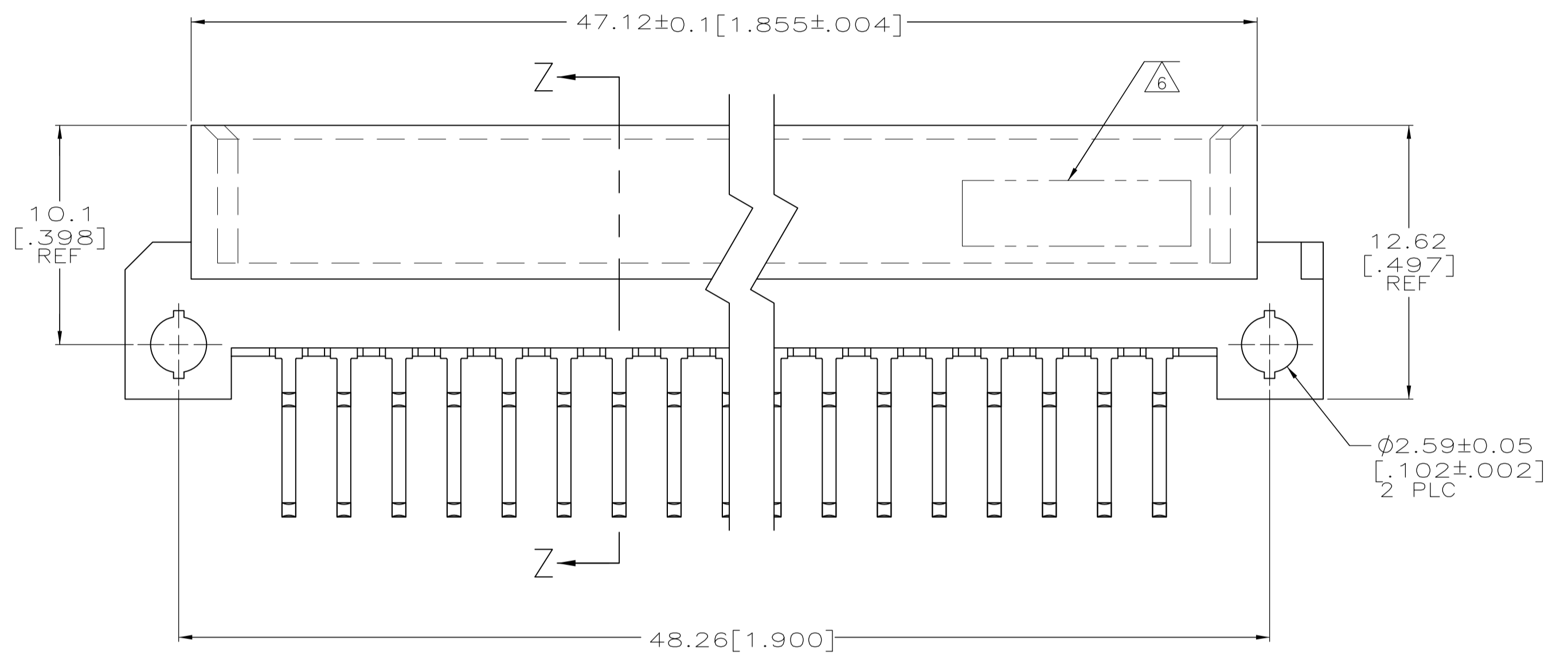
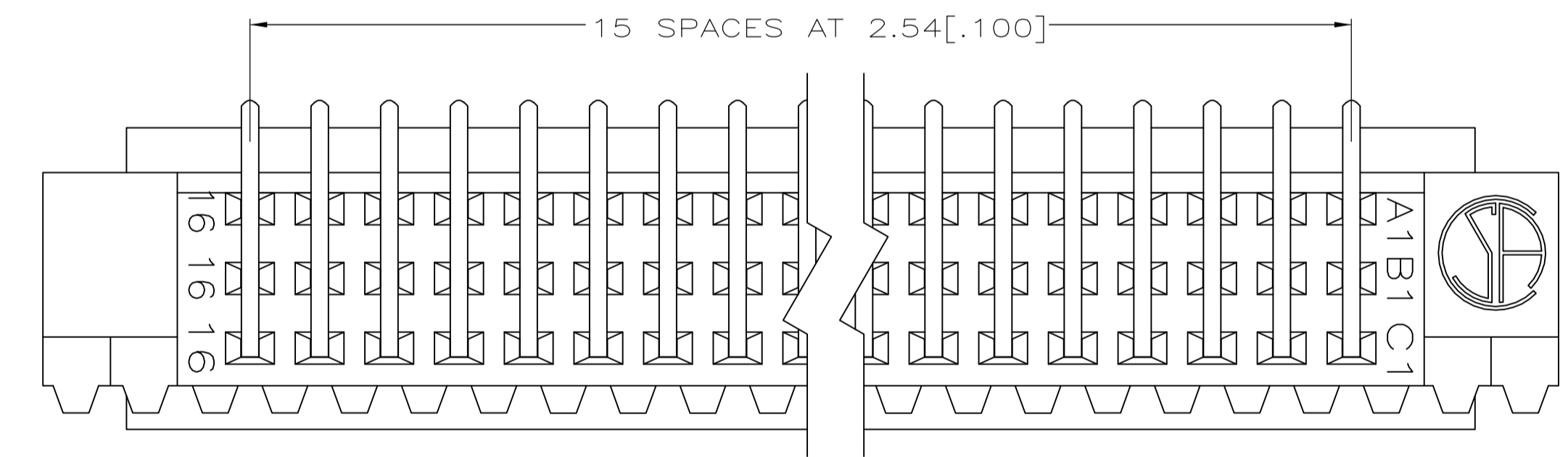


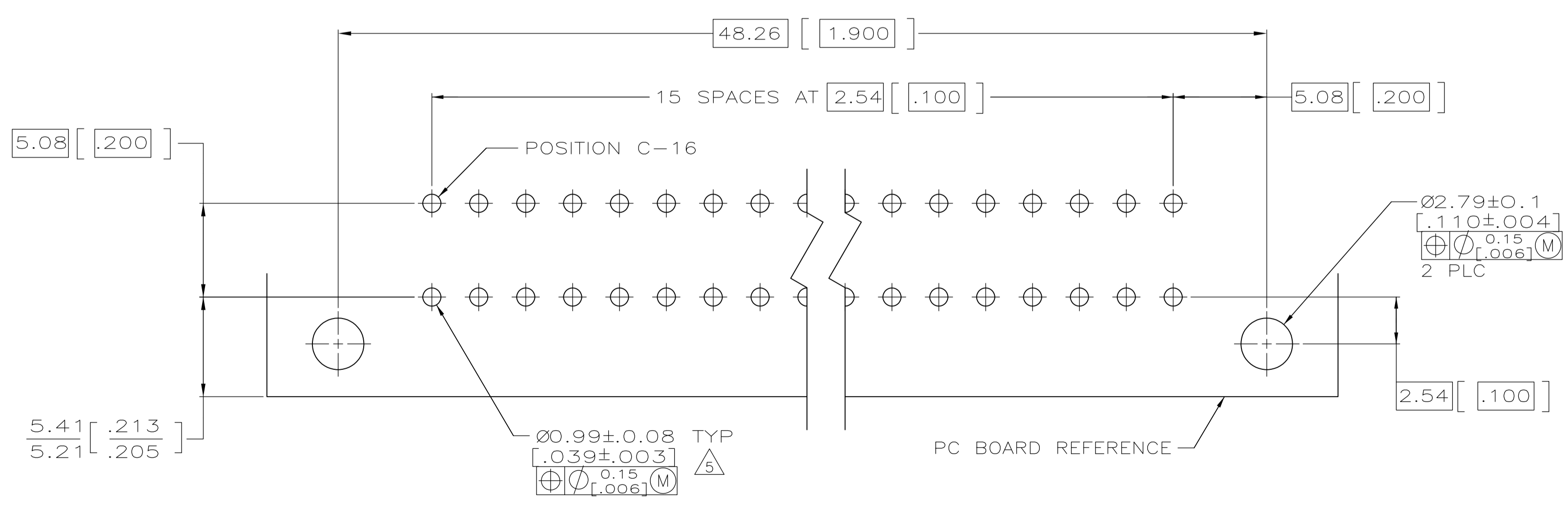
- 1 HOUSING MATERIAL: GLASS-FILLED POLYESTER. COLOR: GRAY.
- 2 POST MATERIAL: BRASS.
- 3 POST FINISH: DIN 41612 CLASS 3 IN CONTACT AREA. TIN-LEAD PLATE ON POSTS.
- 4 POST FINISH: DIN 41612 CLASS 2 IN CONTACT AREA. TIN PLATE ON POSTS.
- 5 RECOMMENDED HOLE SIZE FOR MANUAL APPLICATION OF CONNECTOR ONTO PC BOARD.
- 6 PART NUMBER, DATE CODE MARKED THIS APPROXIMATE AREA.
- 7 MARKING ON THIS SIDE.
- 8 POST FINISH: DIN 41612 CLASS 2 IN CONTACT AREA. TIN PLATE ON POSTS.
- 9 POST FINISH: GOLD FLASH OVER NICKEL UNDERPLATE IN CONTACT AREA. TIN PLATE ON POSTS.



SECTION Z-Z



REFERENCE FAMILY DRAWING 650473 FOR ALL TYPE C HEADER OFFERINGS



PC BOARD LAYOUT

OBSELETE	8	1-16	X	-	X	32	7-650946-5
SUPERSEDED BY 650946-5	3	1-16	X	-	X	32	650946-9
	4	1-16	X	-	X	32	650946-5
	9	1-16	X	-	X	32	650946-3
NOTES		POSITIONS LOADED	C	B	A	NO. OF LOADED POSITION	ASSY PART NUMBER

THIS DRAWING IS A CONTROLLED DOCUMENT.

DIMENSIONS: mm [INCHES]	TOLERANCES UNLESS OTHERWISE SPECIFIED:	DIN L. BRINER 3/20/91	CHK: D.C. RUBENDALL 3/22/91	NAME: PIN ASSEMBLY, EUROCARD, TYPE 1/2C
0 PLC ± -	1 PLC ± -	2 PLC ± -	3 PLC ± 0.13[.005]	4 PLC ± -
ANGLES ± -				
MATERIAL	FINISH	SIZE: A1	CAGE CODE: 00779	DRAWING NO: 650946
		WEIGHT: -	SCALE: 5:1	SHEET: 1 OF 1

CUSTOMER DRAWING