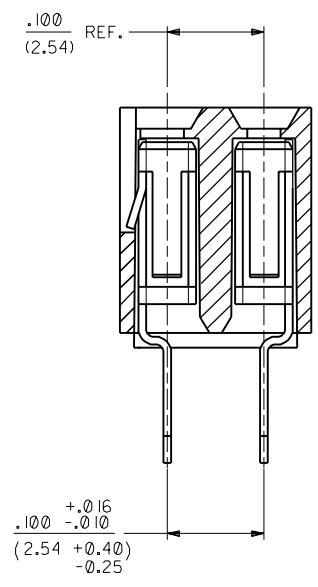
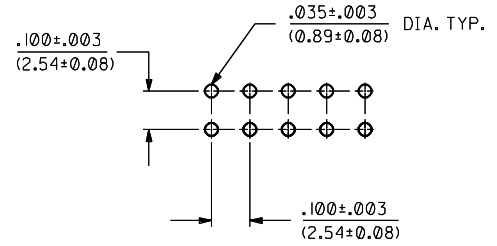


- NOTES:
- 1 - HOUSING MATERIAL: GLASS FILLED POLYESTER, UL 94V-0. COLOR: BLACK
 - 2 - TERMINAL MATERIAL: PHOSPHOR BRONZE
 - 3 - SEE ADDITIONAL SHEETS FOR CHARTS, PLATINGS, AND OVERALL DIMENSIONS
 - 4 - THIS PRODUCT CONFORMS TO PS-70181.



B	CHANGE PACK SPEC. ECN# UDT2000-0503 DMORGAN 99/12/14		
A	REVISE PLATE & BOX REL. DWG U30572 09/08/93 MURPHY		
2	B		
1	B		
MFG. SH.	REV.	LTR.	REVISIONS

DIMENSIONS SHOWN (METRIC) INCH
UNLESS OTHERWISE SPECIFIED
TOLERANCES ANGULAR ± 1/2°

	INCH	METRIC
3 PLACE	± .010	---
2 PLACE	± .014	± 0.25
1 PLACE	---	± 0.35

DRAFT WHERE APPLICABLE MUST REMAIN WITHIN DIMENSIONS

DRWG. NO. S70182X1 DCA
BY: PM
SCALE: 10:1

CHK'D. BY: PM

FILE NAME: S70182X1 DCA
THIS DRAWING CONTAINS INFORMATION THAT IS PROPRIETARY TO MOLEX INC. AND SHOULD NOT BE USED WITHOUT WRITTEN PERMISSION.

TITLE: CONNECTOR, VERT. MOUNT
DUAL ROW TOP ENTRY
100 X 100 PC TAIL GRID

MOLEX INCORPORATED
LISLE, ILL. 60532 U.S.A.

PART NO. SDA-70182-****
DRWG. NO. 1 OF 2
SHEET NO. 1 OF 2
DATE: 09/08/93

REVISIONS ONLY ON CAD SYSTEM

J	CKT SIZE		PLATING: 164 PACKAGING: PK-70873-0661		PLATING: 571 PACKAGING: PK-70873-0661		PLATING: 574 PACKAGING: PK-70873-0661		PLATING: PACKAGING:		DIM."A"		DIM."B"	
	PER ROW	TOTAL	EDP NO.	ENG NO.	EDP NO.	ENG NO.	EDP NO.	ENG NO.	EDP NO.	ENG NO.	INCH		MM	
	02	04	15-45-0902	A-70182-0065	15-44-3602	A-70182-0129	15-44-4102	A-70182-0193			.100	2,54	.199	5,05
	03	06	15-45-0903	A-70182-0066	15-44-3603	A-70182-0130	15-44-4103	A-70182-0194			.200	5,08	.299	7,59
	04	08	15-45-0904	A-70182-0067	15-44-3604	A-70182-0131	15-44-4104	A-70182-0195			.300	7,62	.399	10,13
	05	10	15-45-0905	A-70182-0068	15-44-3605	A-70182-0132	15-44-4105	A-70182-0196			.400	10,16	.499	12,67
	06	12	15-45-0906	A-70182-0069	15-44-3606	A-70182-0133	15-44-4106	A-70182-0197			.500	12,70	.599	15,21
	07	14	15-45-0907	A-70182-0070	15-44-3607	A-70182-0134	15-44-4107	A-70182-0198			.600	15,24	.699	17,75
	08	16	15-45-0908	A-70182-0071	15-44-3608	A-70182-0135	15-44-4108	A-70182-0199			.700	17,78	.799	20,29
	09	18	15-45-0909	A-70182-0072	15-44-3609	A-70182-0136	15-44-4109	A-70182-0200			.800	20,32	.899	22,83
	10	20	15-45-0910	A-70182-0073	15-44-3610	A-70182-0137	15-44-4110	A-70182-0201			.900	22,86	.999	25,37
	11	22	15-45-0911	A-70182-0074	15-44-3611	A-70182-0138	15-44-4111	A-70182-0202			1.000	25,40	1.099	27,91
	12	24	15-45-0912	A-70182-0075	15-44-3612	A-70182-0139	15-44-4112	A-70182-0203			1.100	27,94	1.199	30,45
	13	26	15-45-0913	A-70182-0076	15-44-3613	A-70182-0140	15-44-4113	A-70182-0204			1.200	30,48	1.299	32,99
	14	28	15-45-0914	A-70182-0077	15-44-3614	A-70182-0141	15-44-4114	A-70182-0205			1.300	33,02	1.399	35,53
	15	30	15-45-0915	A-70182-0078	15-44-3615	A-70182-0142	15-44-4115	A-70182-0206			1.400	35,56	1.499	38,07
	16	32	15-45-0916	A-70182-0079	15-44-3616	A-70182-0143	15-44-4116	A-70182-0207			1.500	38,10	1.599	40,61
	17	34	15-45-0917	A-70182-0080	15-44-3617	A-70182-0144	15-44-4117	A-70182-0208			1.600	40,64	1.699	43,15
	18	36	15-45-0918	A-70182-0081	15-44-3618	A-70182-0145	15-44-4118	A-70182-0209			1.700	43,18	1.799	45,69
	19	38	15-45-0919	A-70182-0082	15-44-3619	A-70182-0146	15-44-4119	A-70182-0210			1.800	45,72	1.899	48,23
	20	40	15-45-0920	A-70182-0083	15-44-3620	A-70182-0147	15-44-4120	A-70182-0211			1.900	48,26	1.999	50,77
	21	42	15-45-0921	A-70182-0084	15-44-3621	A-70182-0148	15-44-4121	A-70182-0212			2.000	50,80	2.099	53,31
	22	44	15-45-0922	A-70182-0085	15-44-3622	A-70182-0149	15-44-4122	A-70182-0213			2.100	53,34	2.199	55,85
	23	46	15-45-0923	A-70182-0086	15-44-3623	A-70182-0150	15-44-4123	A-70182-0214			2.200	55,88	2.299	58,39
	24	48	15-45-0924	A-70182-0087	15-44-3624	A-70182-0151	15-44-4124	A-70182-0215			2.300	58,42	2.399	60,93
	25	50	15-45-0925	A-70182-0088	15-44-3625	A-70182-0152	15-44-4125	A-70182-0216			2.400	60,96	2.499	63,47
	26	52	15-45-0926	A-70182-0089	15-44-3626	A-70182-0153	15-44-4126	A-70182-0217			2.500	63,50	2.599	66,01
	27	54	15-45-0927	A-70182-0090	15-44-3627	A-70182-0154	15-44-4127	A-70182-0218			2.600	66,04	2.699	68,55
	28	56	15-45-0928	A-70182-0091	15-44-3628	A-70182-0155	15-44-4128	A-70182-0219			2.700	68,58	2.799	71,09
	29	58	15-45-0929	A-70182-0092	15-44-3629	A-70182-0156	15-44-4129	A-70182-0220			2.800	71,12	2.899	73,63
	30	60	15-45-0930	A-70182-0093	15-44-3630	A-70182-0157	15-44-4130	A-70182-0221			2.900	73,66	2.999	76,17
	31	62	15-45-0931	A-70182-0094	15-44-3631	A-70182-0158	15-44-4131	A-70182-0222			3.000	76,20	3.099	78,71
	32	64	15-45-0932	A-70182-0095	15-44-3632	A-70182-0159	15-44-4132	A-70182-0223			3.100	78,74	3.199	81,25
	33	66	15-45-0933	A-70182-0096	15-44-3633	A-70182-0160	15-44-4133	A-70182-0224			3.200	81,28	3.299	83,79
	34	68	15-45-0934	A-70182-0097	15-44-3634	A-70182-0161	15-44-4134	A-70182-0225			3.300	83,82	3.399	86,33
	35	70	15-45-0935	A-70182-0098	15-44-3635	A-70182-0162	15-44-4135	A-70182-0226			3.400	86,36	3.499	88,87
	36	72	15-45-0936	A-70182-0099	15-44-3636	A-70182-0163	15-44-4136	A-70182-0227			3.500	88,90	3.599	91,41
	37	74	15-45-0937	A-70182-0100	15-44-3637	A-70182-0164	15-44-4137	A-70182-0228			3.600	91,44	3.699	93,95
	38	76	15-45-0938	A-70182-0101	15-44-3638	A-70182-0165	15-44-4138	A-70182-0229			3.700	93,98	3.799	96,49
	39	78	15-45-0939	A-70182-0102	15-44-3639	A-70182-0166	15-44-4139	A-70182-0230			3.800	96,52	3.899	99,03
	40	80	15-45-0940	A-70182-0103	15-44-3640	A-70182-0167	15-44-4140	A-70182-0231			3.900	99,06	3.999	101,57

PLATING CODES

(164) TIN-LEAD (Sn-Pb) ALLOY OVER ENTIRE PIN; THICKNESS=(3.75 MICROMETER)/75 MICROINCH MINIMUM; NICKEL (Ni) UNDERPLATE OVER ENTIRE PIN.

(571) SELECTIVE GOLD (Au) IN THE CONTACT AREA; THICKNESS=(0.37 MICROMETER)/15 MICROINCH MINIMUM; SELECTIVE TIN-LEAD (Sn-Pb) ALLOY IN THE PC TAIL AREA; THICKNESS=(1.88 MICROMETER)/75 MICROINCH MINIMUM; NICKEL (Ni) UNDERPLATE OVER ENTIRE PIN.

(574) SELECTIVE GOLD (Au) IN THE CONTACT AREA; THICKNESS=(0.75 MICROMETER)/30 MICROINCH MINIMUM; SELECTIVE TIN-LEAD (Sn-Pb) ALLOY IN THE PC TAIL AREA; THICKNESS=(1.88 MICROMETER)/75 MICROINCH MINIMUM; NICKEL (Ni) UNDERPLATE OVER ENTIRE PIN.

DIMENSIONS SHOWN (METRIC) INCH UNLESS OTHERWISE SPECIFIED TOLERANCES ANGULAR ± 1/2°		<input checked="" type="checkbox"/> = 0 <input checked="" type="checkbox"/> = 0 REVISE ONLY ON CAD SYSTEM										
3 PLACE ± --- ---	INCH	2 PLACE ± --- ± ---	METRIC									
2 PLACE ± --- ± ---	INCH	1 PLACE ± --- ± ---	METRIC									
DRAFT WHERE APPLICABLE MUST REMAIN WITHIN DIMENSIONS												
PART NO. B SEE SHEET 1 A SEE SHEET 1		DRWG. NO. SDA-70182-**** SHEET NO. 2 DATE 09/08/93										
DRWG. BY: DJB PM CHK'D. BY: PM APP'D. BY: DJB SCALE: --:--		FILE NAME: S70182X2 (C) THIS DRAWING CONTAINS INFORMATION THAT IS PROPRIETARY TO MOLEX INC. AND SHOULD NOT BE USED WITHOUT WRITTEN PERMISSION.										
13	12	11	10	9	8	7	6	5	4	3	2	1