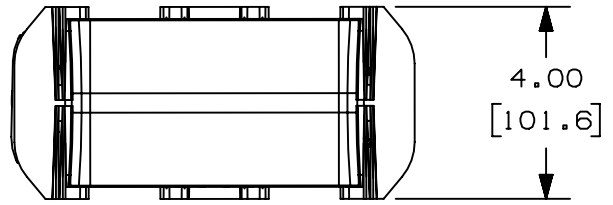


2

1

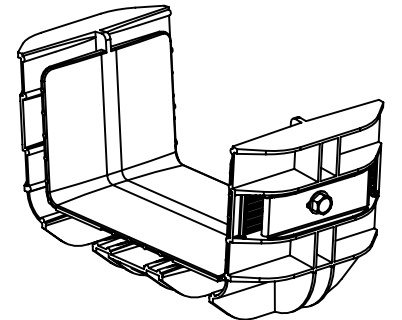
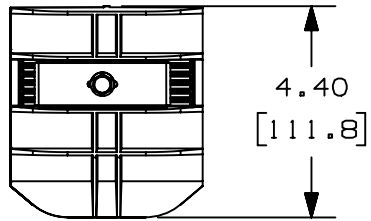
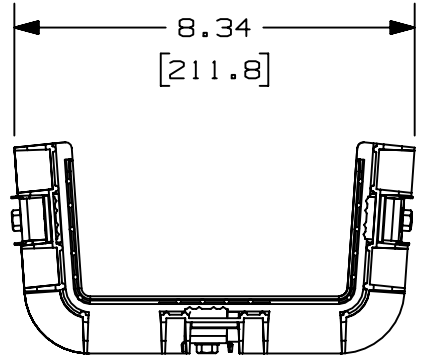
THIS COPY IS PROVIDED ON A RESTRICTED BASIS AND IS NOT TO BE USED IN ANY WAY DETRIMENTAL TO THE INTERESTS OF PANDUIT CORP.

PANDUIT PART NUMBER	WEIGHT	MATERIAL
FRBC6X4**	0.8 LB/EACH (363g/EACH)	ABS
FRBC6X4L**	0.8 LB/EACH (363g/EACH)	PC/ABS



NOTES:

- SEE CURRENT CATALOG FOR ADDITIONAL PART SUFFIXES TO INDICATE COLOR AND/OR PACKAGE QUANTITY.
- DIMENSIONS IN PARENTHESES ARE IN METRIC.



REV	DATE	BY	CHK	APR	DESCRIPTION	ECN
06A	1-16-20	MES	DWR	DWR	M. ADDED FRBC6X4L** PART NUMBER	V09002DZ/01
5	05-09-13	JBN	RTFI	RN	L. UPDATED DRAWING BORDER & TITLE BLOCK	37185-80

TITLE FIBERRUNNER 6X4 QUIKLOCK COUPLER FRBC6X4**, FRBC6X4L**		PANDUIT
CUSTOMER DRAWING		
ITEM REVISION NAME D37185FH/03		MATERIAL: SEE PART NUMBER TABLE ABOVE
DATASET FILE NAME D37185FH_DC/06A		
UNLESS OTHERWISE SPECIFIED, DIMENSIONAL TOLERANCES ARE: IN [mm] .X ± .03 [.8] .XXX ± .XX ± .03 [.8] ANGLES ±		
DRAWN BY: REWE DATE: 05-10-00 CHK: WAB SCALE: NONE		DRAWING NUMBER: 37185-80
THIRD ANGLE PROJECTION		SHT 1 OF 1
		SIZE: A

2

1

D10100DA/15