

■ Features

- Single output from 6-7.5W
- 100-240Vac Universal Input
- IEC/EN/ANSI/AAMI ES60601-1 (Edition 3.1)
- EMC: IEC60601-1-2 : 2014 (Edition 4.0)
- Regulated output with low ripple noise
- Means of protection: 2 X MOPP
- Efficiency level VI
- Touch current: <100µA
- Available plug types: US, and EU
- 2-year warranty
- Space saver design



*Product images are for illustrative purposes only and may vary from actual design.

■ Application

- Medical equipment

■ Model List

Custom Designs Available!

Model	Output Voltage	Output Current	Power
WM-M06A-050-X-XX	5V	1.2A	6W
WM-M06A-060-X-XX	6V	1A	6W
WM-M06A-075-X-XX	7.5V	1A	7.5W
WM-M06A-090-X-XX	9V	0.7A	6.3W
WM-M06A-120-X-XX	12V	0.5A	6W

■ Technical Data

Voltage	100-240Vac
Line Frequency	50-60Hz
Current	0.19A-0.1A
Protection	Internal Primary Current Fuse, Inrush Limiting
Configuration	A for US Plug
	D for EU Plug
Load Regulation	±5%(Typical)
Ripple	2% Vp-p Max. for Output Voltage @ Full Load
Transient Response	0.5mS for 50% Load Change Typical
Hold-up Time	10mS@ Full Load
Protection	Short Circuit Protection/ Over Voltage protection/ Over Current Protection
DC Cord	24AWG/22AWG/20AWG/18AWG
Ferrite Core	Optional
Dielectric Withstand	4000Vac Primary- Secondary
Touch Current	<100µA

Technical Sales / Customer Service: +1-818-338-7788 • Email: sales@autec.com

31328 Via Colinas Suite 102 • Westlake Village, CA 91362 USA • www.autec.com

September 19, 2019

■ **Technical Data(cont.)**

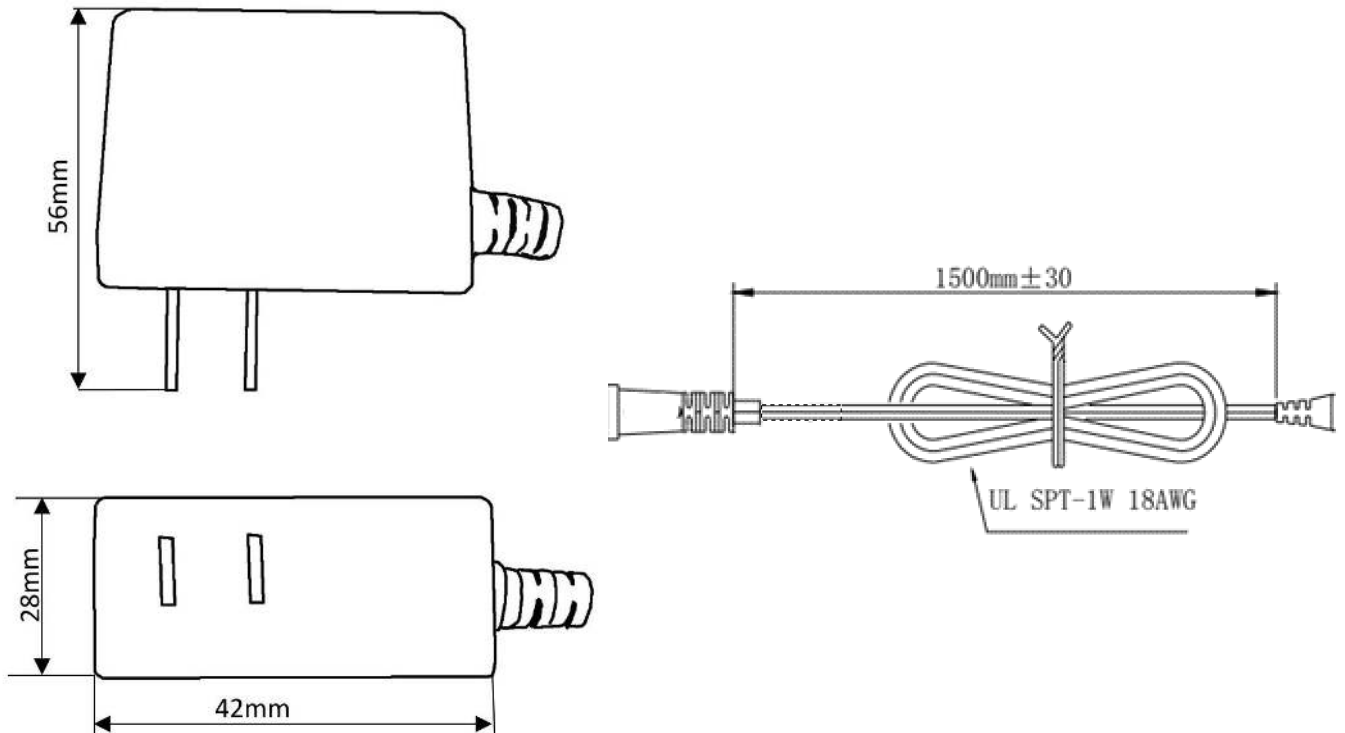
Efficiency	Meet DoE level VI
MTBF	300,000 Calculated Hours at 25°C
Operating Temperature	0 to +40 °C
Storage Temperature	-20 to +80 °C
Relative humidity	Operating: 20 to 80% RH
	Storage: 10 to 90% RH
Cooling	Natural Convection Cooling
Case Dimension	US 56x28x42mm
	EU 56x28x79mm
Weight	US: 68g, EU 80g

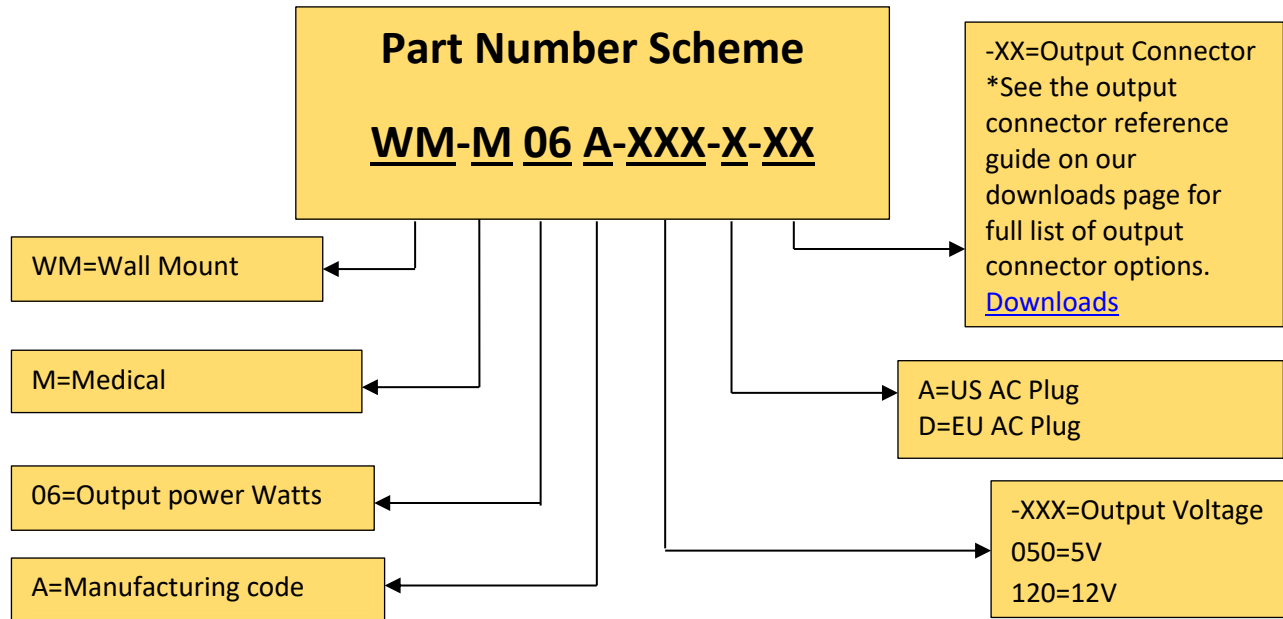
■ **Safeties and Compliances**

Safety Approvals	UL/cUL/CE
EMI Conduction and Radiation	Compliance to EN55011 Class B
Harmonic Current	Compliance to EN61000-3-2, 3
EMS Immunity	Compliance to EN6100-4-2,3,4,5,6,8,11

■ **Mechanical Diagram**

-US Input Plug Shown WM-M06A-XXX-A-XX





***Product images are for illustrative purposes only and may vary from actual design.**

***Specifications are subject to change without notice. Autec is not responsible for issues arising from errors or omissions.**