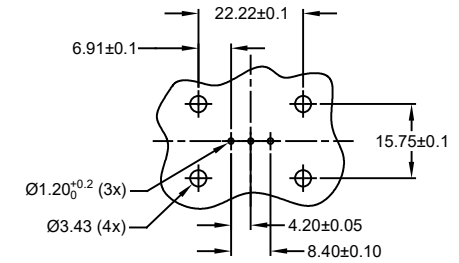
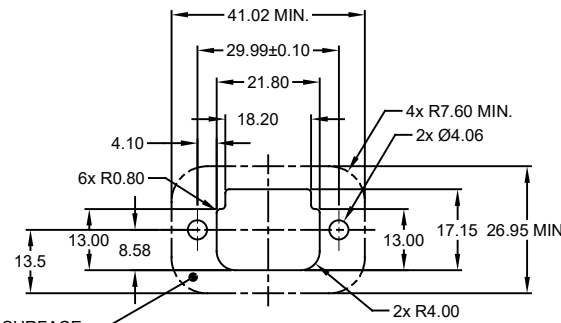
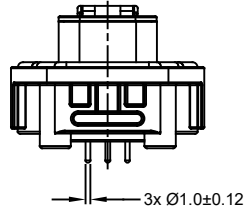
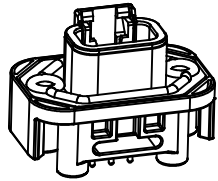
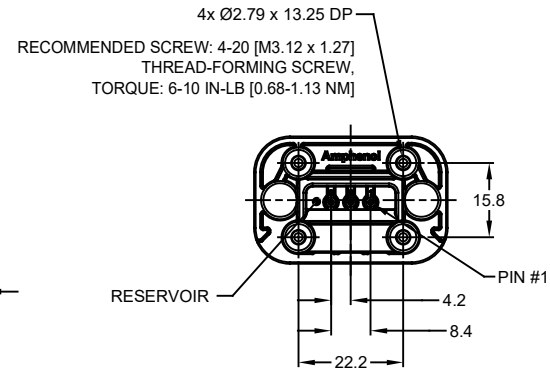
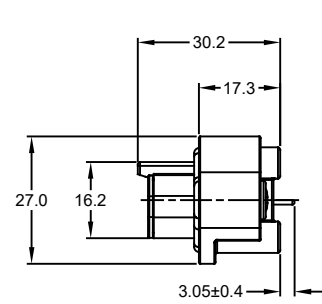
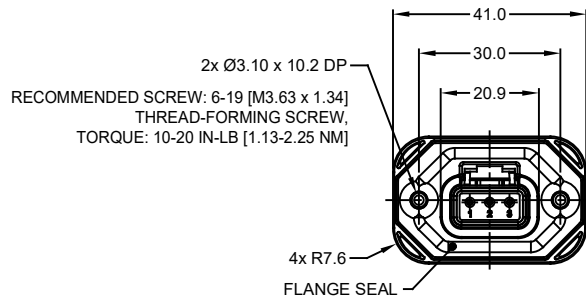


| REVISIONS |     |                     |         |        |       |
|-----------|-----|---------------------|---------|--------|-------|
| REV       | ECO | DESCRIPTION         | DATE    | BY     | APPR  |
| A1        | -   | RELEASE NEW DRAWING | 15JUN18 | SULLEN | TOMMY |
| A2        | -   | REVISED DRAWING     | 10JUL20 | JHEAD  | DH    |



INTERNAL SEALING SURFACE FINISH TO BE 3.2/ OR BETTER [70.13] RECOMMENDED PANEL CUTOUT

RECOMMENDED PCB LAYOUT VIEW FROM COMPONENTS SIDE OF PCB

NOTES: UNLESS OTHERWISE SPECIFIED

- MATERIAL:  
 HOUSING: THERMOPLASTIC, GREY  
 SEAL: SILICONE RUBBER  
 CONTACT: COPPER ALLOY
- MODIFICATIONS: FLANGE; STRAIGHT PCB MOUNT
- SPECIFICATIONS:  
 3.1 CURRENT RATING: 7.5 AMPS  
 3.2 OPERATING TEMPERATURE: -55°C TO +125°C  
 3.3 DIELECTRIC WITHSTANDING VOLTAGE: LESS THAN 2 MILLIAMPS CURRENT LEAKAGE @ 1500 VOLTS AC  
 3.4 INSULATION RESISTANCE: 1000 MEGOHMS MIN @ 25°C  
 3.5 MOISTURE RESISTANCE: IP67 ( MATED CONDITION )  
 3.6 MATING CYCLE DURABILITY: 100 CYCLES  
 3.7 RoHS COMPLIANT
- MATING PART: ATM06-3S\* (\* = ALL MODIFICATIONS)
- ALL DIMENSIONS ARE FOR REFERENCE USE ONLY
- POTTED CONNECTORS SPECIFIED FOR UP TO 5 P.S.I. APPLICATIONS.

| ATM15-3P-BMXX VARIANTS |                             |               |
|------------------------|-----------------------------|---------------|
| CONTACT PLATING        | POTTING OR NOT IN RESERVOIR | PART NUMBER   |
| GOLD                   | NO POTTING                  | ATM15-3P-BM01 |
| GOLD                   | POTTING                     | ATM15-3P-BM02 |
| TIN                    | NO POTTING                  | ATM15-3P-BM03 |
| TIN                    | POTTING                     | ATM15-3P-BM04 |

| ATM15-3P-BMXX   |  | PART NUMBER |      | DESCRIPTION   |  | ITEM |          |                |  |  |                            |            |  |      |   |  |  |                                       |                     |         |  |                               |                   |         |  |                                  |           |  |  |                |                     |         |  |  |  |  |                |           |  |  |   |  |  |                     |  |  |  |          |  |  |                          |  |  |  |                          |  |  |                         |  |  |  |  |  |  |            |  |  |  |  |  |  |
|---|--|-------------|------|---|--|------|----------|----------------|--|--|----------------------------|------------|--|------|---|--|--|---------------------------------------|---------------------|---------|--|-------------------------------|-------------------|---------|--|----------------------------------|-----------|--|--|----------------|---------------------|---------|--|--|--|--|----------------|-----------|--|--|---|--|--|---------------------|--|--|--|----------|--|--|--------------------------|--|--|--|--------------------------|--|--|-------------------------|--|--|--|--|--|--|------------|--|--|--|--|--|--|
| <table border="1"> <thead> <tr> <th>QUANTITY</th> <th colspan="3">MATERIALS LIST</th> </tr> </thead> <tbody> <tr> <td>UNLESS OTHERWISE SPECIFIED</td> <td colspan="2">SIGNATURES</td> <td>DATE</td> <td colspan="3" rowspan="4"> <p>Sine Systems - www.amphenol-sine.com<br/>           44724 Morley Drive<br/>           Clinton Township, MI 48036</p> </td> </tr> <tr> <td>1) All dimensions are in metric (mm).</td> <td>DRAWN: SULLEN,ZHANG</td> <td colspan="2">15JUN18</td> </tr> <tr> <td>2) Tolerances are as follows:</td> <td>CHECKED: ORION,LI</td> <td colspan="2">15JUN18</td> </tr> <tr> <td>1 PL DEC ±0.30   Fractions ±1/64</td> <td>ENGINEER:</td> <td colspan="2"></td> </tr> <tr> <td>2 PL DEC ±0.15</td> <td>APPROVAL: TOMMY,XIE</td> <td colspan="2">15JUN18</td> <td colspan="3">BOARDLOCK PCB MOUNT RECEPTACLE, 3 PIN, STRAIGHT FLANGE, ATM SERIES</td> </tr> <tr> <td>3 PL DEC ±0.08</td> <td>CUSTOMER:</td> <td colspan="2"></td> <td colspan="3">SIZE: B C- TYPE: ATM15-3P-BMXX DWG NO: A2</td> </tr> <tr> <td>3) Note reference = </td> <td colspan="3">THIS DRAWING IS SUPPLIED FOR INFORMATION ONLY. DESIGN FEATURES, SPECIFICATIONS AND PERFORMANCE DATA SHOWN HEREON ARE THE PROPERTY OF THE AMPHENOL CORPORATION. NO RIGHTS OF REPRODUCTION ARE IMPLIED. ALL DIMENSIONS ARE SUBJECT TO NORMAL MANUFACTURING VARIATIONS.</td> <td colspan="3">REVISION</td> </tr> <tr> <td>MATERIAL SPECIFICATIONS:</td> <td colspan="3"></td> <td colspan="3">SCALE: NONE SHEET 1 OF 1</td> </tr> <tr> <td>PROCESS SPECIFICATIONS:</td> <td colspan="3"></td> <td colspan="3"></td> </tr> <tr> <td>NEXT ASSY:</td> <td colspan="3"></td> <td colspan="3"></td> </tr> </tbody> </table> |  |             |      |   |  |      | QUANTITY | MATERIALS LIST |  |  | UNLESS OTHERWISE SPECIFIED | SIGNATURES |  | DATE | <p>Sine Systems - www.amphenol-sine.com<br/>           44724 Morley Drive<br/>           Clinton Township, MI 48036</p> |  |  | 1) All dimensions are in metric (mm). | DRAWN: SULLEN,ZHANG | 15JUN18 |  | 2) Tolerances are as follows: | CHECKED: ORION,LI | 15JUN18 |  | 1 PL DEC ±0.30   Fractions ±1/64 | ENGINEER: |  |  | 2 PL DEC ±0.15 | APPROVAL: TOMMY,XIE | 15JUN18 |  | BOARDLOCK PCB MOUNT RECEPTACLE, 3 PIN, STRAIGHT FLANGE, ATM SERIES |  |  | 3 PL DEC ±0.08 | CUSTOMER: |  |  | SIZE: B C- TYPE: ATM15-3P-BMXX DWG NO: A2 |  |  | 3) Note reference = | THIS DRAWING IS SUPPLIED FOR INFORMATION ONLY. DESIGN FEATURES, SPECIFICATIONS AND PERFORMANCE DATA SHOWN HEREON ARE THE PROPERTY OF THE AMPHENOL CORPORATION. NO RIGHTS OF REPRODUCTION ARE IMPLIED. ALL DIMENSIONS ARE SUBJECT TO NORMAL MANUFACTURING VARIATIONS. |  |  | REVISION |  |  | MATERIAL SPECIFICATIONS: |  |  |  | SCALE: NONE SHEET 1 OF 1 |  |  | PROCESS SPECIFICATIONS: |  |  |  |  |  |  | NEXT ASSY: |  |  |  |  |  |  |
| QUANTITY  | MATERIALS LIST   |             |      |   |  |      |          |                |  |  |                            |            |  |      |   |  |  |                                       |                     |         |  |                               |                   |         |  |                                  |           |  |  |                |                     |         |  |  |  |  |                |           |  |  |   |  |  |                     |  |  |  |          |  |  |                          |  |  |  |                          |  |  |                         |  |  |  |  |  |  |            |  |  |  |  |  |  |
| UNLESS OTHERWISE SPECIFIED  | SIGNATURES   |             | DATE | <p>Sine Systems - www.amphenol-sine.com<br/>           44724 Morley Drive<br/>           Clinton Township, MI 48036</p> |  |      |          |                |  |  |                            |            |  |      |   |  |  |                                       |                     |         |  |                               |                   |         |  |                                  |           |  |  |                |                     |         |  |  |  |  |                |           |  |  |   |  |  |                     |  |  |  |          |  |  |                          |  |  |  |                          |  |  |                         |  |  |  |  |  |  |            |  |  |  |  |  |  |
| 1) All dimensions are in metric (mm).   | DRAWN: SULLEN,ZHANG  | 15JUN18     |      |   |  |      |          |                |  |  |                            |            |  |      |   |  |  |                                       |                     |         |  |                               |                   |         |  |                                  |           |  |  |                |                     |         |  |  |  |  |                |           |  |  |   |  |  |                     |  |  |  |          |  |  |                          |  |  |  |                          |  |  |                         |  |  |  |  |  |  |            |  |  |  |  |  |  |
| 2) Tolerances are as follows:   | CHECKED: ORION,LI  | 15JUN18     |      |   |  |      |          |                |  |  |                            |            |  |      |   |  |  |                                       |                     |         |  |                               |                   |         |  |                                  |           |  |  |                |                     |         |  |  |  |  |                |           |  |  |   |  |  |                     |  |  |  |          |  |  |                          |  |  |  |                          |  |  |                         |  |  |  |  |  |  |            |  |  |  |  |  |  |
| 1 PL DEC ±0.30   Fractions ±1/64  | ENGINEER:  |             |      |   |  |      |          |                |  |  |                            |            |  |      |   |  |  |                                       |                     |         |  |                               |                   |         |  |                                  |           |  |  |                |                     |         |  |  |  |  |                |           |  |  |   |  |  |                     |  |  |  |          |  |  |                          |  |  |  |                          |  |  |                         |  |  |  |  |  |  |            |  |  |  |  |  |  |
| 2 PL DEC ±0.15  | APPROVAL: TOMMY,XIE  | 15JUN18     |      | BOARDLOCK PCB MOUNT RECEPTACLE, 3 PIN, STRAIGHT FLANGE, ATM SERIES  |  |      |          |                |  |  |                            |            |  |      |   |  |  |                                       |                     |         |  |                               |                   |         |  |                                  |           |  |  |                |                     |         |  |  |  |  |                |           |  |  |   |  |  |                     |  |  |  |          |  |  |                          |  |  |  |                          |  |  |                         |  |  |  |  |  |  |            |  |  |  |  |  |  |
| 3 PL DEC ±0.08  | CUSTOMER:  |             |      | SIZE: B C- TYPE: ATM15-3P-BMXX DWG NO: A2   |  |      |          |                |  |  |                            |            |  |      |   |  |  |                                       |                     |         |  |                               |                   |         |  |                                  |           |  |  |                |                     |         |  |  |  |  |                |           |  |  |   |  |  |                     |  |  |  |          |  |  |                          |  |  |  |                          |  |  |                         |  |  |  |  |  |  |            |  |  |  |  |  |  |
| 3) Note reference =   | THIS DRAWING IS SUPPLIED FOR INFORMATION ONLY. DESIGN FEATURES, SPECIFICATIONS AND PERFORMANCE DATA SHOWN HEREON ARE THE PROPERTY OF THE AMPHENOL CORPORATION. NO RIGHTS OF REPRODUCTION ARE IMPLIED. ALL DIMENSIONS ARE SUBJECT TO NORMAL MANUFACTURING VARIATIONS. |             |      | REVISION  |  |      |          |                |  |  |                            |            |  |      |   |  |  |                                       |                     |         |  |                               |                   |         |  |                                  |           |  |  |                |                     |         |  |  |  |  |                |           |  |  |   |  |  |                     |  |  |  |          |  |  |                          |  |  |  |                          |  |  |                         |  |  |  |  |  |  |            |  |  |  |  |  |  |
| MATERIAL SPECIFICATIONS:  |  |             |      | SCALE: NONE SHEET 1 OF 1  |  |      |          |                |  |  |                            |            |  |      |   |  |  |                                       |                     |         |  |                               |                   |         |  |                                  |           |  |  |                |                     |         |  |  |  |  |                |           |  |  |   |  |  |                     |  |  |  |          |  |  |                          |  |  |  |                          |  |  |                         |  |  |  |  |  |  |            |  |  |  |  |  |  |
| PROCESS SPECIFICATIONS:   |  |             |      |   |  |      |          |                |  |  |                            |            |  |      |   |  |  |                                       |                     |         |  |                               |                   |         |  |                                  |           |  |  |                |                     |         |  |  |  |  |                |           |  |  |   |  |  |                     |  |  |  |          |  |  |                          |  |  |  |                          |  |  |                         |  |  |  |  |  |  |            |  |  |  |  |  |  |
| NEXT ASSY:  |  |             |      |   |  |      |          |                |  |  |                            |            |  |      |   |  |  |                                       |                     |         |  |                               |                   |         |  |                                  |           |  |  |                |                     |         |  |  |  |  |                |           |  |  |   |  |  |                     |  |  |  |          |  |  |                          |  |  |  |                          |  |  |                         |  |  |  |  |  |  |            |  |  |  |  |  |  |

TITLE: PCB MOUNT RECEPTACLE, 3PIN, STRAIGHT FLANGE, ATM SERIES  
 DWG NO.: ATM15-3P-BMXX  
 REV: A2  
 SH: 1  
 OF: 1