

4

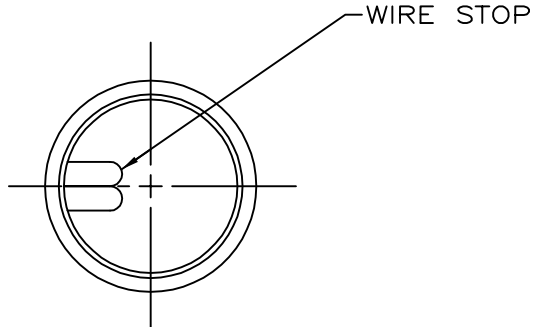
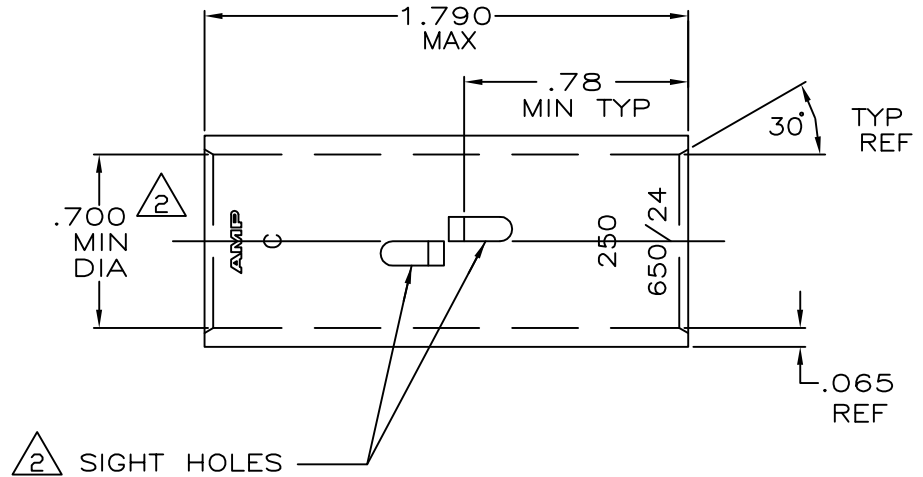
3

2

1

THIS DRAWING IS UNPUBLISHED. RELEASED FOR PUBLICATION
 © COPYRIGHT - By - ALL RIGHTS RESERVED.

LOC	DIST	REVISIONS			
P	LTR	DESCRIPTION	DATE	DWN	APVD
G	86				
		P	ECR-13-000998	11FEB2013	PK HS



- 1 TIN PL .000150 MIN THK PER ASTM B 545
- 2 .045 MAX BURR ALLOWED INSIDE THE WIRE BARREL ID IN AREA OF SIGHT HOLE.

231 - 275 MCM	CLEANED	COPPER ASTM-B-75 ANNEALED	1-324462-0
			324462
WIRE RANGE	FINISH	MATERIAL	PART No

THIS DRAWING IS A CONTROLLED DOCUMENT.		DWN DK SCHRUM 4/24/89		
		CHK MS FEHER 4/24/89		
DIMENSIONS: INCHES		APVD WJ VOCKROTH 11/8/89	NAME SPLICE, BUTT, AMPPOWER WIRE SIZE: 250 MCM	
		PRODUCT SPEC		
		APPLICATION SPEC		
MATERIAL SEE TABLE	FINISH SEE TABLE	WEIGHT .090 LB.	SIZE A3	CAGE CODE 00779
		DRAWING NO C=324462	RESTRICTED TO -	
		CUSTOMER DRAWING	SCALE 2:1	SHEET 1 OF 1
			REV P	