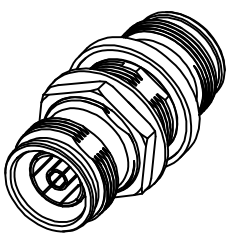
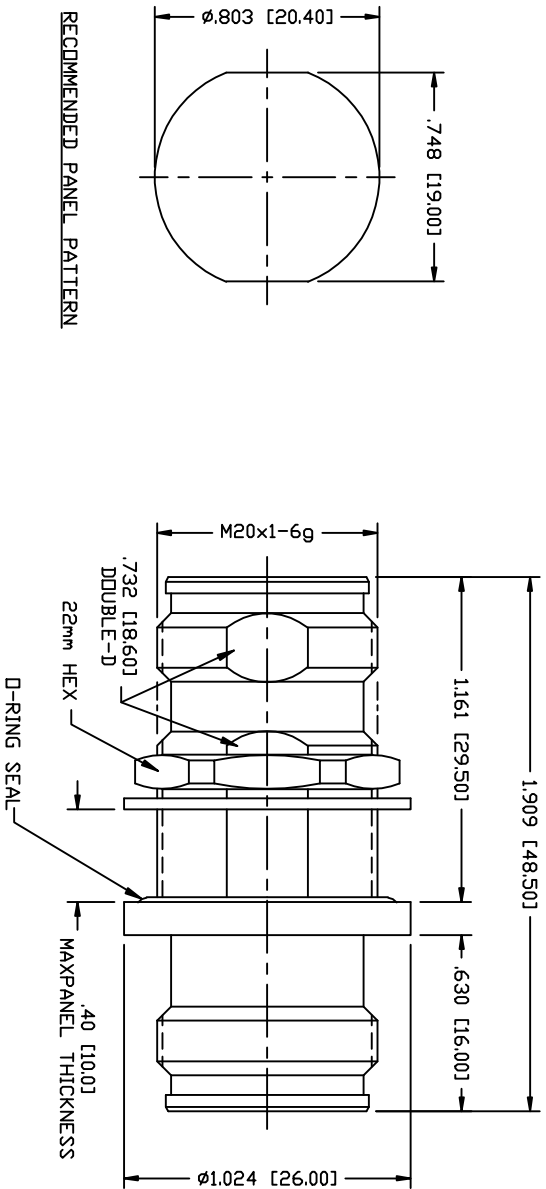


PART NO.		RFD-43F-FBH	
REV	DESCRIPTION	DWN	DATE
A	ADDED NOTE FOR O-RING	DM	3/6/20
		JDM	APPROVED



SPECIFICATIONS:

INTERFACE: IEC61169-54
 IMPEDANCE: 50 OHMS
 FREQUENCY RANGE: DC-6 GHz
 VSWR MAX: <1.15:1 @ 3 GHz
 3rd ORDER IM: <-160 dBc @ 1900 MHz
 OPERATING TEMPERATURE: -40°C TO +155°C
 ROHS COMPLIANT

5	PROTECTIVE CAP	2	PE	---
4	GROUND RING	2	PHOS. BRONZE	WHITE BRONZE
3	CONTACT	1	BaCu	SILVER
2	INSULATOR	1	PTFE	---
1	BODY	1	BRASS	WHITE BRONZE
#	DESCRIPTION	QTY	MATERIAL	FINISH

CUSTOMER OUTLINE DRAWING	DATE 3/6/20
ALL DIMENSIONS ARE REFERENCE ONLY	
UNLESS OTHERWISE SPECIFIED: DIMENSIONS ARE IN INCHES AND [MILLIMETERS]	
DESIGNED BY D. McREYNOLDS	CHECKED BY C. ZUNIGA
DATE 05/01/17	

PROPRIETARY AND CONFIDENTIAL
 THIS DRAWING CONTAINS
 INFORMATION PROPRIETARY TO
 RF INDUSTRIES. ANY
 UNAUTHORIZED USE OF THIS
 DRAWING IS EXPRESSLY
 PROHIBITED WITHOUT WRITTEN
 PERMISSION FROM RF
 INDUSTRIES. ANY VIOLATION IS
 PUNISHABLE UNDER U.S.
 COPYRIGHT LAWS.

RF Industries
 DIVISION OF RF INDUSTRIES, LTD. (858) 549-6340 FAX
 7610 MIRAMAR RD. SAN DIEGO, CA 92126 (858) 549-6340

**4.3-10 FEMALE TO 4.3/10 FEMALE
 PANEL MOUNT BULKHEAD**

SIZE	CABLE GROUP	DWG NO.	REV
A	N/A	RFD-43F-FBH	A
SCALE:	ENGINEERING ID:	SHEET	OF
NTS	000000	1	1