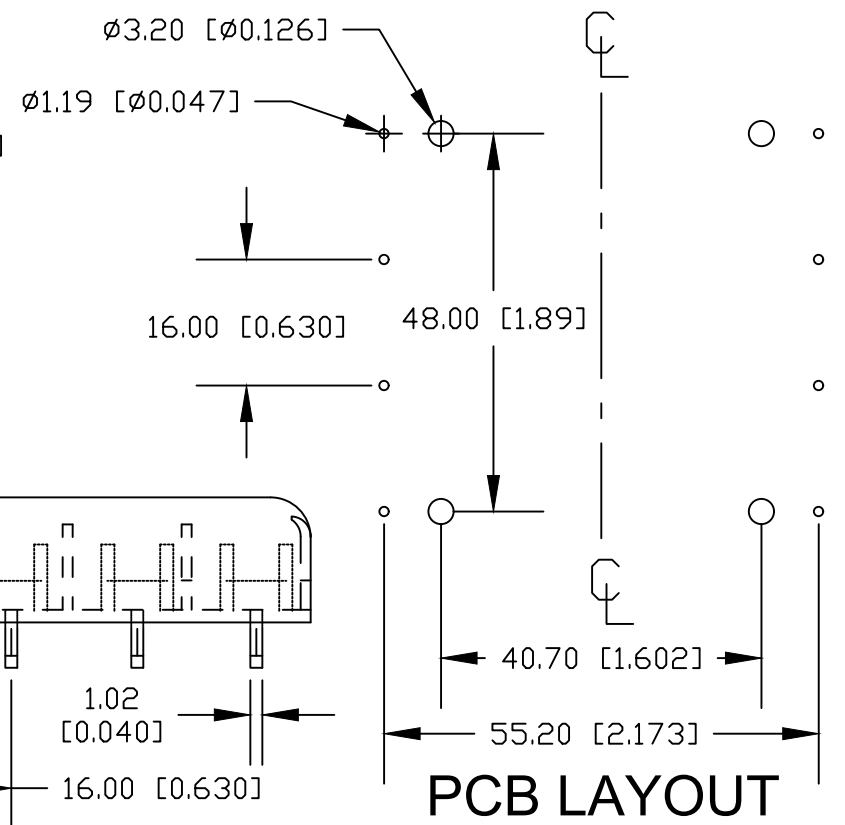
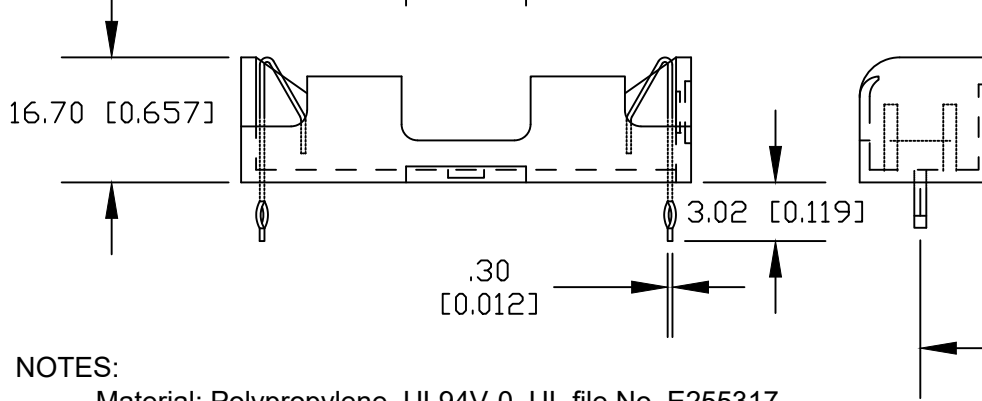
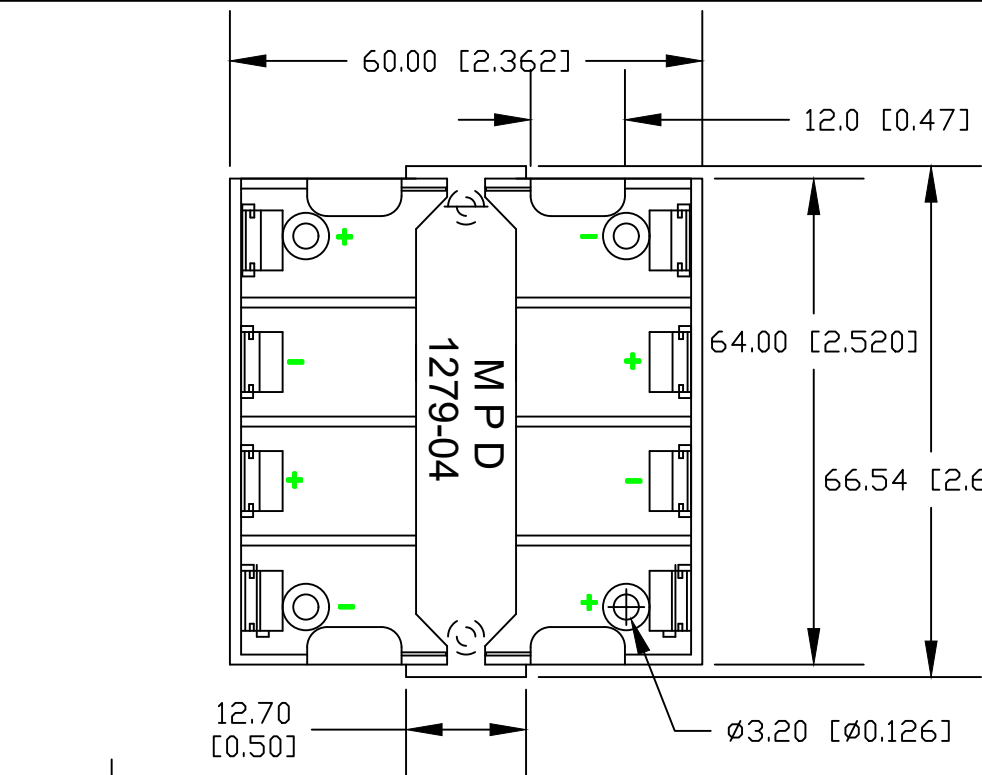



Date	SYM	REVISION RECORD	AUTH	DR.	CK.
05/12/17	F	DIM. 1.01 WAS 1.02 ADDED DIM. 12.70, 12.0	T.B.	B.S.	
04/12/19	G	MILLISECONDS WAS MICRO SECONDS	T.B.	B.S.	



NOTES:
Material: Polypropylene, UL94V-0, UL file No. E255317
Contacts: 302 Stainless Steel Spring Temper, Nickel Plated
Cover: Polypropylene, UL94V-0
PC Pins: Steel nickel plated
Heat Deflection Temperature: 90°C
Vibration Test: 10-50-10 Hz swept in 60 seconds
X,Y,Z direction: 1 hour each direction
Result: No dislodgement of the cell or damage
No discontinuity over 10 micro-seconds
Shock Test: Half sine wave acceleration 150G. 6 milliseconds
3 shock pulses each direction per axis, total of 18 pulses
Result: No evidence of physical damage.
ROHS COMPLIANT

Tolerance (Inches)	 Memory Protection Devices, Inc 200 Broad Hollow Road, Farmingdale, New York 11735		
Decimal ±.5 (.020)		Scale	Drawn By B.S.
Fractional ± .8 (.030)	Title FOUR "AA" CELL HOLDER WITH COVER		
Angular ± 3°	Date 04/12/19	Drawing Number BK-1279-PC8	
		Approved By T.B.	