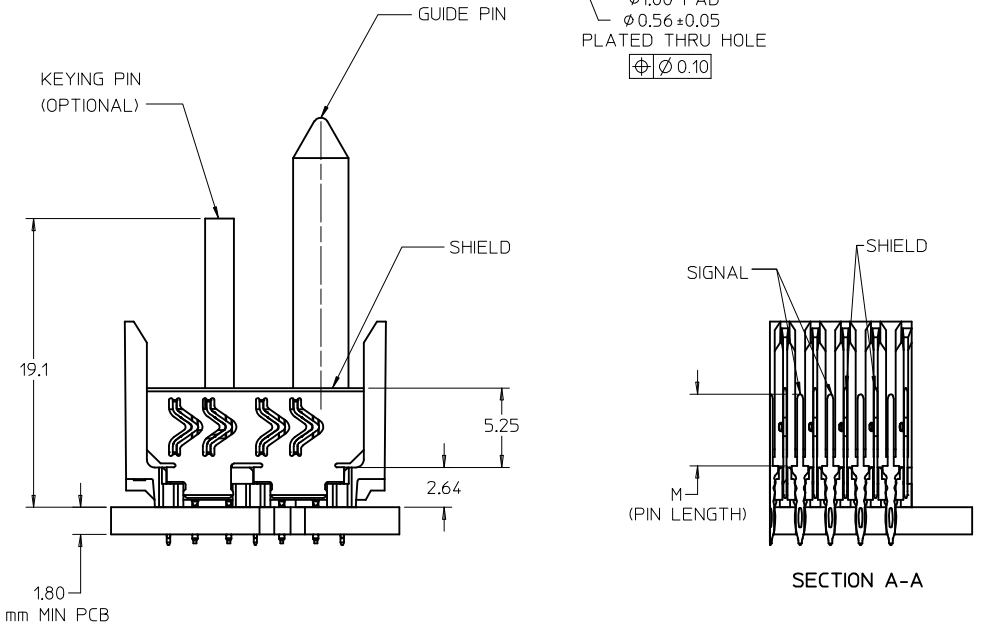
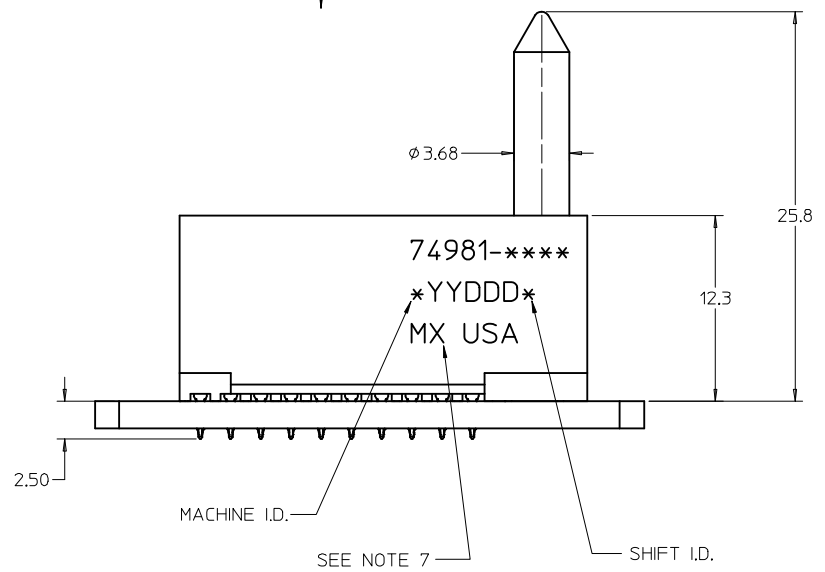
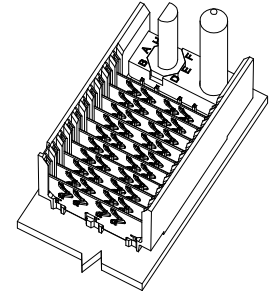


BACKPLANE HOLE PATTERN
RECOMMENDED DIMENSIONS

0.66 DRILL
1.00 PAD
0.56 ± 0.05
PLATED THRU HOLE
Ø 0.10

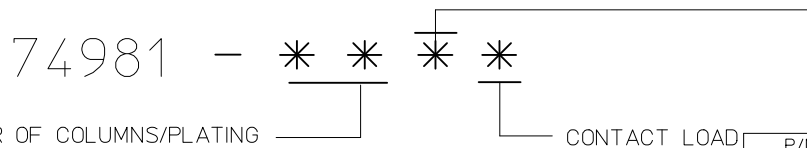
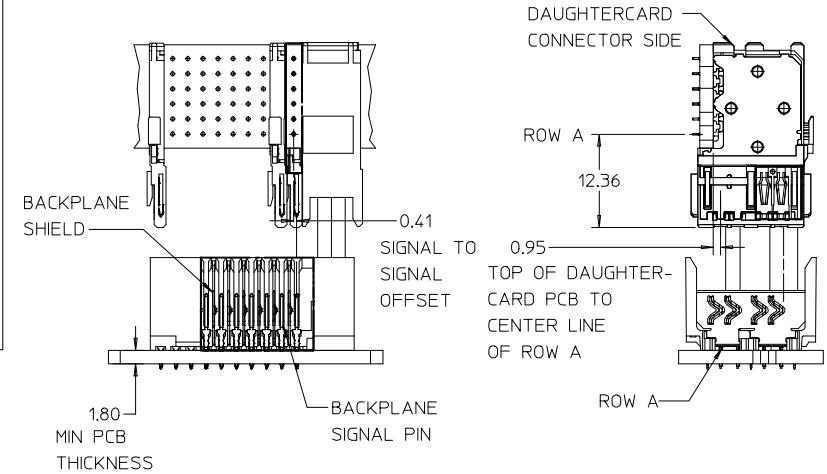


- NOTES:
1. MATERIAL: HOUSING-LIQUID CRYSTAL POLYMER (LCP) GLASS-FILLED. UL 94V-0. COLOR-BLACK. SIGNAL AND SHIELD - HIGH PERFORMANCE COPPER ALLOY.
 2. FINISHES:
CONTACT AREA: SELECTIVE GOLD (Au)
PCB TAILS: SELECTIVE MATTE TIN (Sn)
NICKEL (Ni) OVERALL.
 3. THIS PART CONFORMS TO MOLEX PRODUCT SPECIFICATION PS-74031-999.
 4. FOR MIXED CONTACT LENGTHS - CONSULT MOLEX FOR AVAILABILITY.
 5. FOR SPECIFIC PART NUMBER AND MATING INFORMATION REFER TO SHEET 2.
 6. PACKAGE PER PK-74058-003.
 7. MARK PART NUMBER AND DATE CODE APPROXIMATELY WHERE SHOWN
 8. MAPS (MOLEX ADVANCED PLATING SYSTEM).

THE PRIMARY CARTON WITH A LABEL STATING "ELV AND RoHS COMPLAINT" IS LEAD FREE. CARTONS WITHOUT THIS LABEL MAY CONTAIN LEAD.

LEAD FREE CONVERSION EC NO: UCP2013-0687 DRWNGES 2012/08/22 CHKD:MMOLFE 2012/11/27 APPR:SMILLER 2012/12/14	QUALITY SYMBOLS ▽=0 ▽=0 ▽=0	GENERAL TOLERANCES (UNLESS SPECIFIED)		DIMENSION STYLE MM ONLY		SCALE 4:1	DESIGN UNITS METRIC	THIRD ANGLE PROJECTION		
		4 PLACES ± --- ± ---	3 PLACES ± --- ± ---	2 PLACES ± --- ± ---	1 PLACE ± --- ± ---	0 PLACE ± --- ± ---	DRAWN BY DATE NMARTIN 2002/09/06		CHECKED BY DATE SREED 2002/09/06	
		ANGULAR ± 1 °		DRAFT WHERE APPLICABLE MUST REMAIN WITHIN DIMENSIONS		APPROVED BY DATE CBIXLER 2002/09/06		MATERIAL NO. SEE SHT.2		DOCUMENT NO. SD-74981-010
		SHEET NO. 1 OF 2		THIS DRAWING CONTAINS INFORMATION THAT IS PROPRIETARY TO MOLEX INCORPORATED AND SHOULD NOT BE USED WITHOUT WRITTEN PERMISSION						

PART NUMBER	COLUMN	NUMBER OF SIGNAL PIN	NUMBER OF SHIELD	A	B	M	GOLD THICKNESS MICROMETER	TIN THICKNESS MICROMETER
74981-60*1	10	40	10	27.00	18.00	4.75	0.25 MAPS	0.76-1.52
74981-*0*1							0.76	
74981-*0*6							1.27	
74981-75*1	25	100	25	57.00	48.00	6.25	0.25 MAPS	
74981-*5*1							0.76	
74981-*5*6							1.27	
74981-60*2	10	40	10	27.00	18.00	4.25	0.25 MAPS	
74981-*0*2							0.76	
74981-*0*7							1.27	
74981-75*2	25	100	25	57.00	48.00	5.15	0.25 MAPS	
74981-*5*2							0.76	
74981-*5*7							1.27	
74981-60*3	10	40	10	27.00	18.00	4.25	0.25 MAPS	
74981-*0*3							0.76	
74981-*0*8							1.27	
74981-75*3	25	100	25	57.00	48.00	5.15	0.25 MAPS	
74981-*5*3							0.76	
74981-*5*8							1.27	
74981-60*4	10	40	10	27.00	18.00	4.25	0.25 MAPS	
74981-*0*4							0.76	
74981-*0*9							1.27	
74981-75*4	25	100	25	57.00	48.00	5.15	0.25 MAPS	
74981-*5*4							0.76	
74981-*5*9							1.27	



74981 - * * * *

NUMBER OF COLUMNS/PLATING
 10 = 10 COLUMN MATTE TIN (FORMERLY TIN/LEAD)
 25 = 25 COLUMN MATTE TIN (FORMERLY TIN/LEAD)
 60 = 10 COLUMN MATTE TIN (MAPS)
 75 = 25 COLUMN MATTE TIN (MAPS)
 90 = 10 COLUMN MATTE TIN
 85 = 25 COLUMN MATTE TIN

CONTACT LOAD (PIN HEIGHT)
 1 & 6 = 4.75
 2 & 7 = 6.25
 3 & 8 = 4.25
 4 & 9 = 5.15

P/N	---0*	---1*	---2*	---3*	---4*	---5*	---6*	---7*	---8*
74981-()	0	A	B	C	D	E	F	G	H
KEYING PIN ORIENTATION									

SEE SHEET 1 EC NO: UCP2013-0687 DRAWINGS 2012/08/22 CHKD:WOLFE 2012/11/27 APPR:SMILLER 2012/12/14	QUALITY SYMBOLS	GENERAL TOLERANCES (UNLESS SPECIFIED)	DIMENSION STYLE MM ONLY	SCALE 4:1	DESIGN UNITS METRIC	THIRD ANGLE PROJECTION
	▽=0	mm INCH	DRAWN BY DATE NMARTIN 2002/09/06	HSD SALES ASSEMBLY 6 ROW SHIELD END BACKPLANE molex DOCUMENT NO. SD-74981-010		
	▽=0	4 PLACES ± --- ± ---	CHECKED BY DATE SREED 2002/09/06			
	▽=0	3 PLACES ± --- ± ---	APPROVED BY DATE CBIXLER 2002/09/06			
	2 PLACES ± --- ± ---	MATERIAL NO.				
	1 PLACE ± --- ± ---	ANGULAR ± 1°	SIZE C	THIS DRAWING CONTAINS INFORMATION THAT IS PROPRIETARY TO MOLEX INCORPORATED AND SHOULD NOT BE USED WITHOUT WRITTEN PERMISSION		
	0 PLACE ± ±	DRAFT WHERE APPLICABLE MUST REMAIN WITHIN DIMENSIONS	SHEET NO. 2 OF 2			