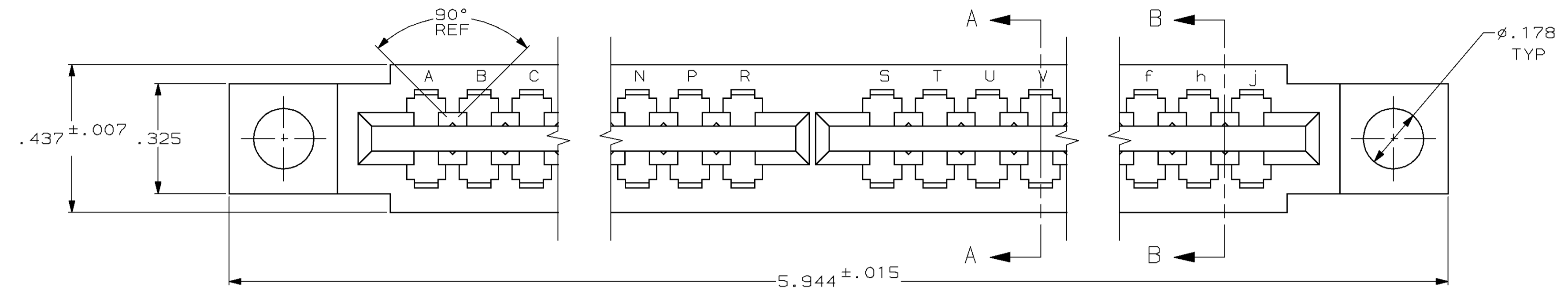
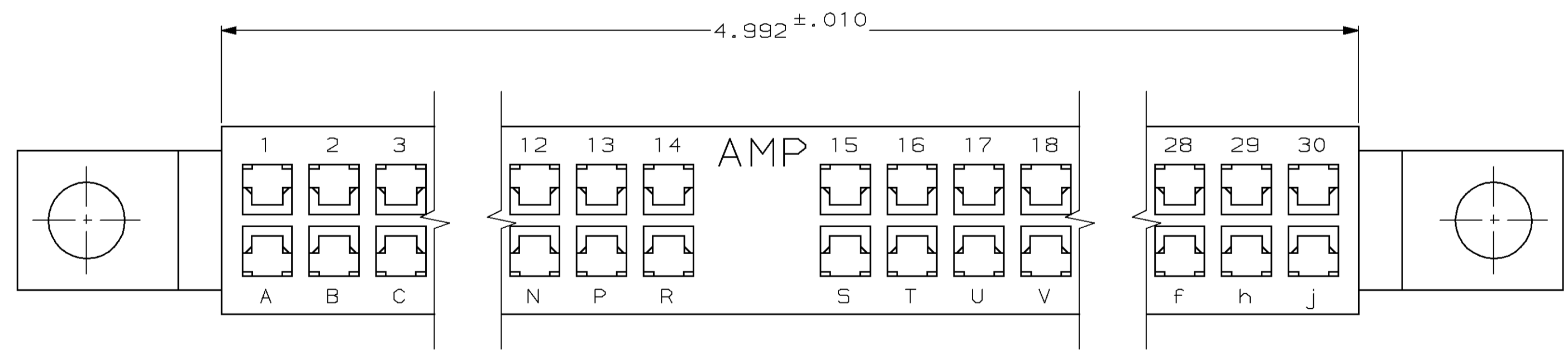
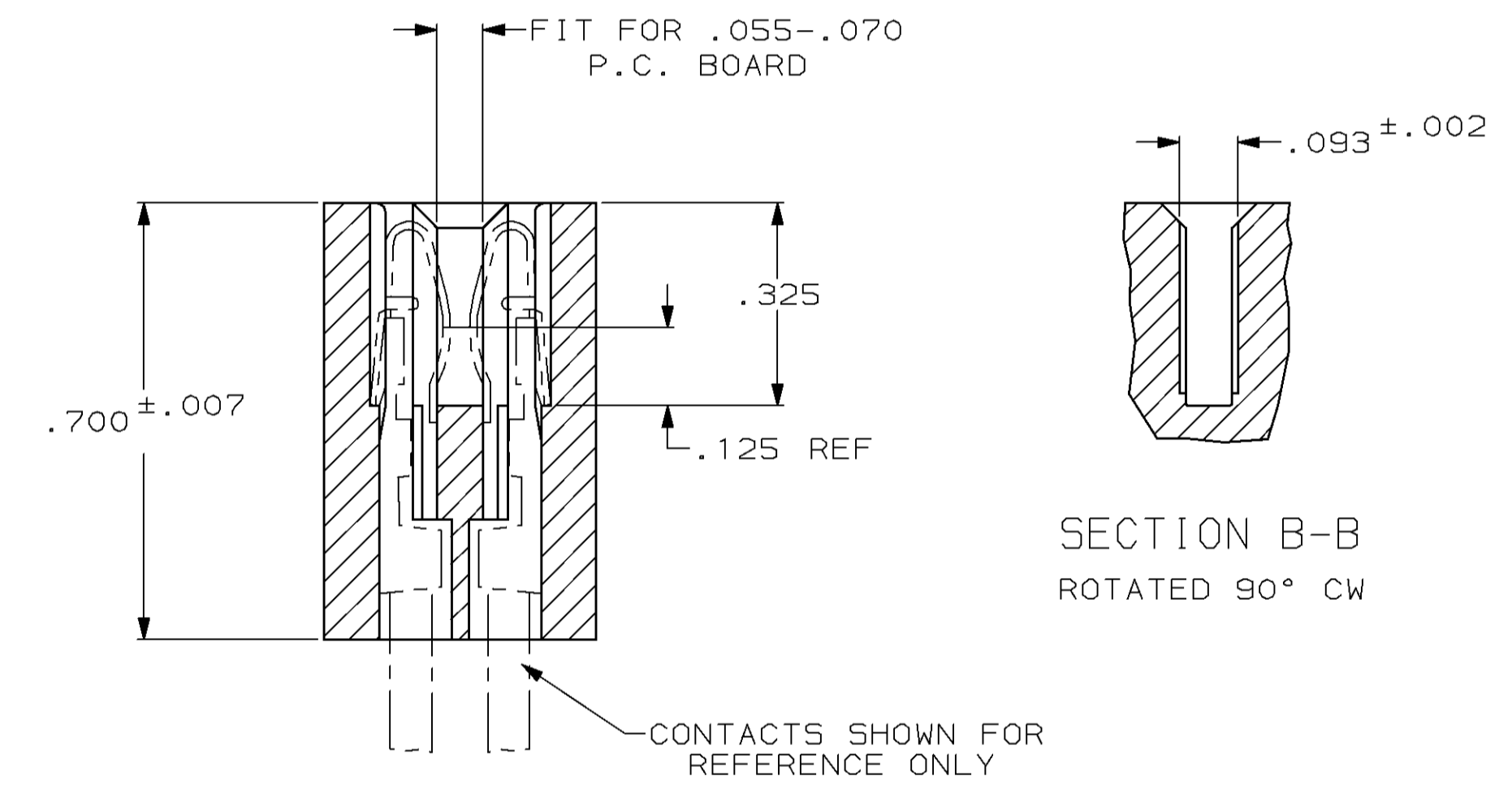
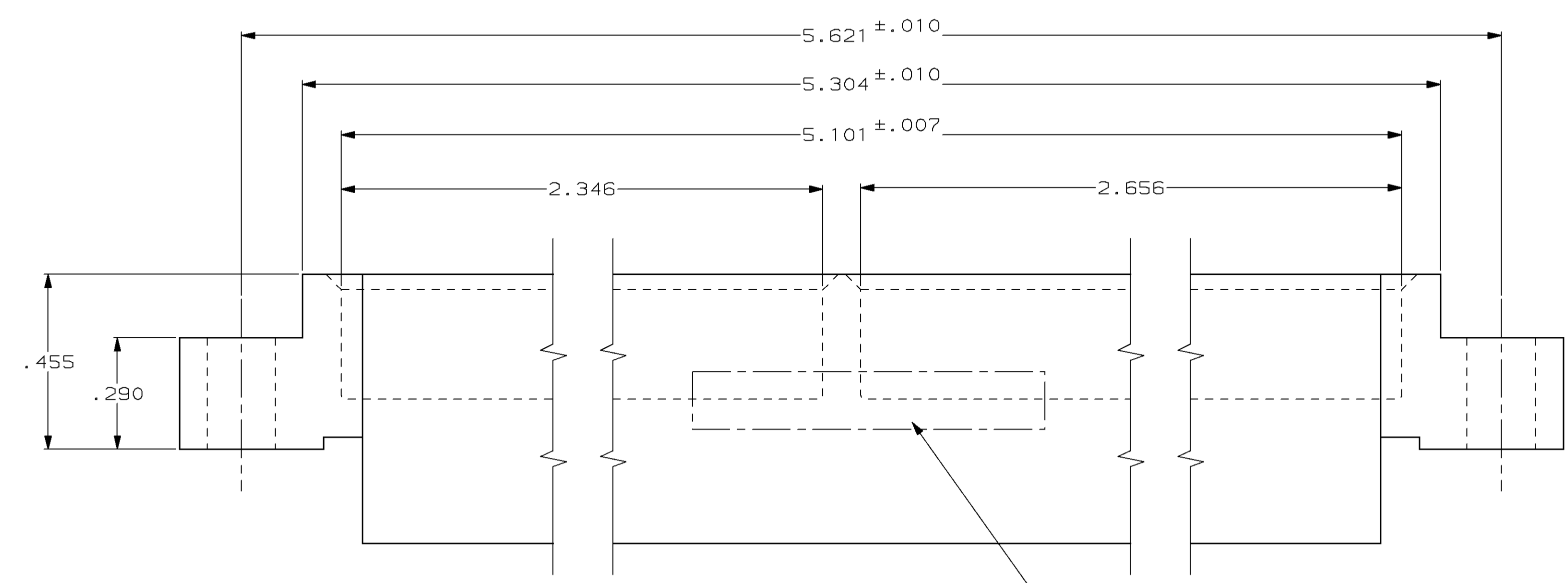


LOC		Q1ST		P		F		ZONE		LTR		REVISIONS		DATE	APPD	
FT	22												N	REACTIVATED PER 92-5120-002-1	11/4/92	HR
													P	REV PER 0010-0184-92	6/9/93	RB
													R	REV PER 0010-0337-95	10-17-95	PB
													S	REV PER EC 0320-349-97	27 OCT 97	NS



△ HOT STAMP AMP PART NUMBER AND DATE CODE IN THIS AREA, PER AMP SPEC. 115-9009.



SECTION A-A
ROTATED 90° CW

SECTION B-B
ROTATED 90° CW

THIS DRAWING IS A CONTROLLED DOCUMENT FOR AMP INCORPORATED. IT IS SUBJECT TO CHANGE AND THE CONTROLLING ENGINEERING ORGANIZATION SHOULD BE CONTACTED FOR THE LATEST REVISION.

DO NOT SCALE PRINT. UNLESS SPECIFIED DIMENSIONS IN mm [INCHES] TOLERANCES ON:		DR 11/4/92 R BROWN	AS SHOWN		583631-1
2 PLC DEC ± .005		CHK 11/26/92 H ROSE	DESCRIPTION		PART NO
3 PLC DEC ± .005		APPD 11/26/92 H ROSE	AMP Incorporated Harrisburg, PA 17105-3608		
ANGLES ± -		APPD 11/26/92 M THUMMA	NAME		
MATERIAL		PRODUCT SPEC	HOUSING, AMP LEAF 30 DUAL POSITION		
POLYESTER COLOR: BLACK		APPLICATION SPEC	SIZE	CAGE CODE	DRAWING NO
FINISH			D	00779	583631
		WEIGHT	SCALE	4:1	SHEET 1 OF 1