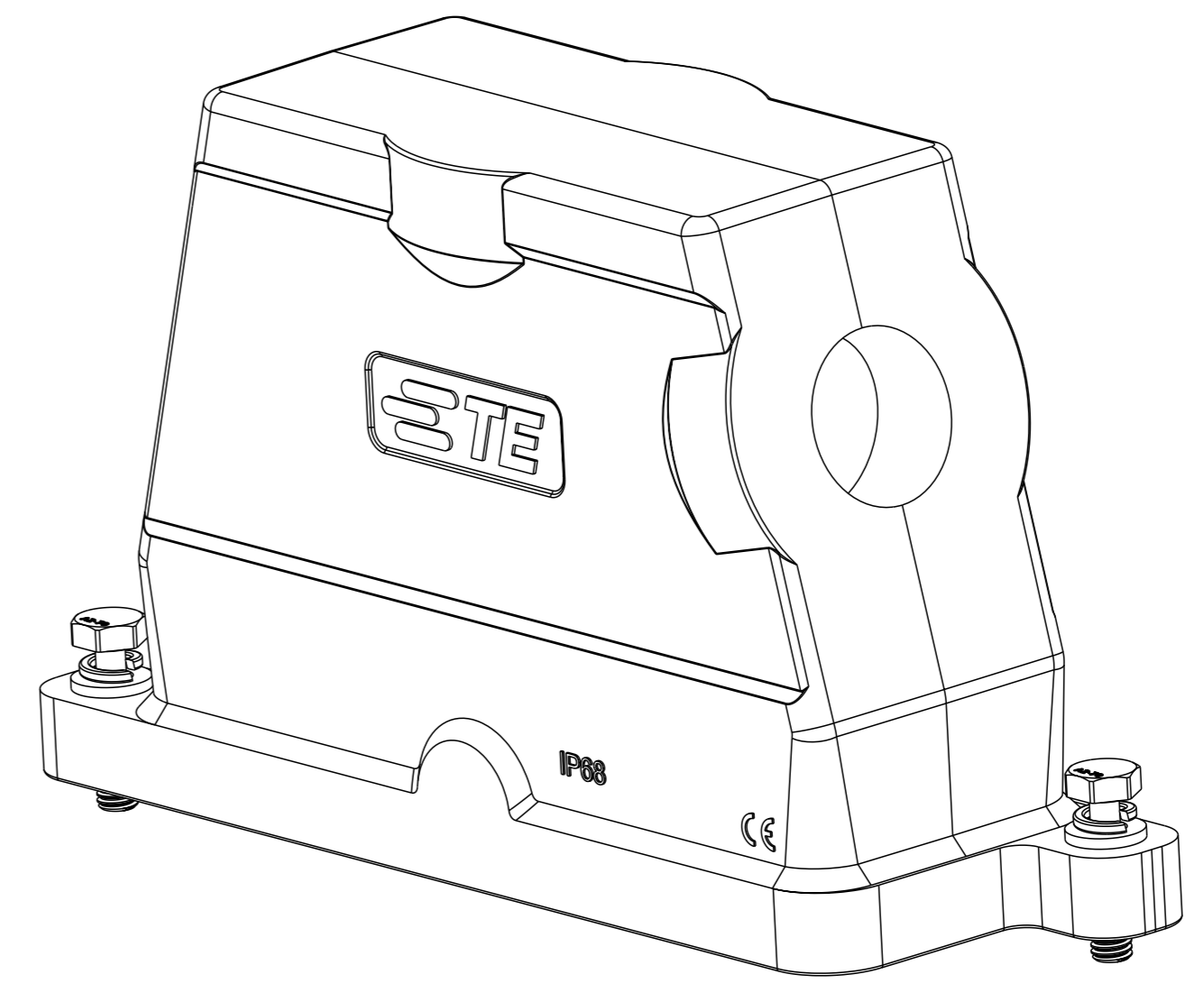
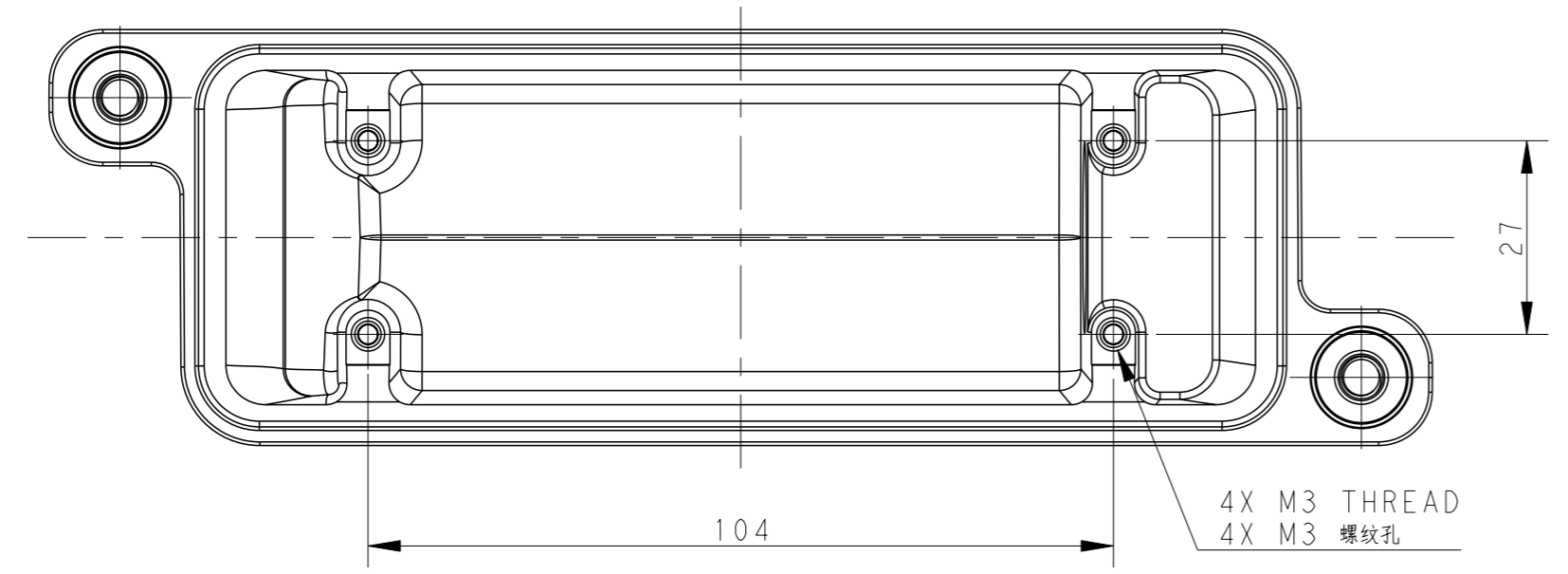
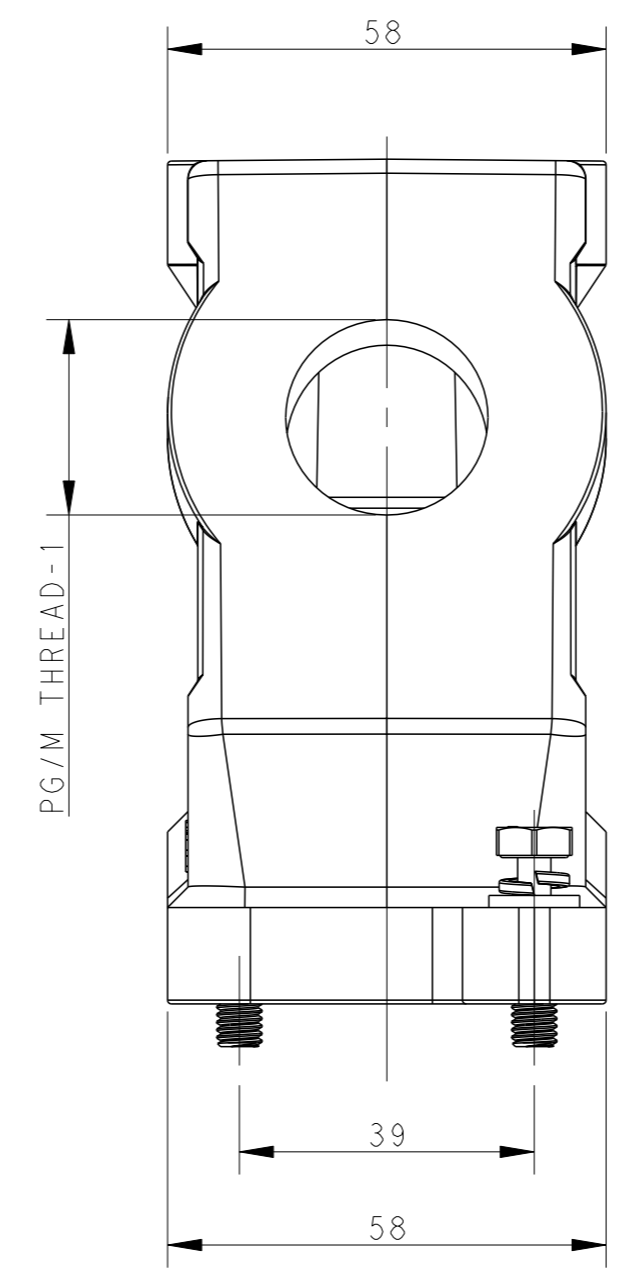
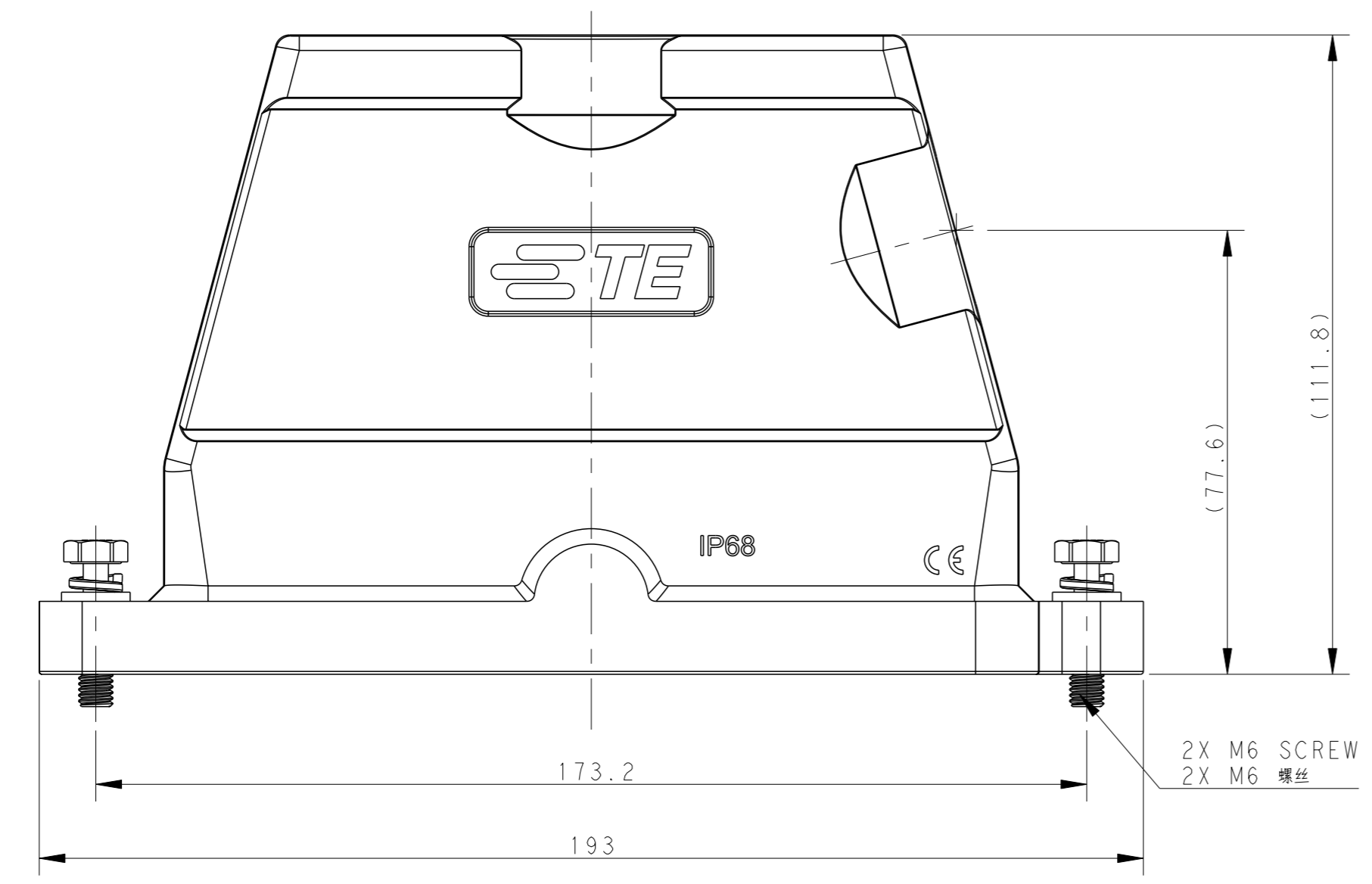


REVISIONS				
#	DATE	DESCRIPTION	DATE	APPV
A		INITIAL RELEASE	26AUG2016	DW CW
B		ECR-20-016312	03JUN2021	BS CW



NOTES:
 1. TECHNICAL CHARACTERISTICS:
 HOOD MATERIAL: DIE CAST ALUMINIUM ALLOY
 SURFACE: SEE TABLE
 DEGREE OF PROTECTION: IP68 (MATED)

注释:
 1. 技术参数:
 壳体材料: 铝合金
 表面处理: 见表格
 防护等级: IP68 (配合)

PART NUMBER 料号	DESCRIPTION 描述	PG/M THREAD-1 PG/M 螺纹-1
T1910241140-009	H24BPR-TSH-M40-EMC-C H24BPR HOOD, DIAGONAL LOCKING, SIDE ENTRY M40, POWDER COATED, SILVER WHITE H24BPR对角锁定侧出壳M40 银白色	M40
T1910241136-009	H24BPR-TSH-PG36-EMC-C H24BPR HOOD, DIAGONAL LOCKING, SIDE ENTRY PG36, POWDER COATED, SILVER WHITE H24BPR对角锁定侧出壳PG36 银白色	PG36
T1910241132-009	H24BPR-TSH-M32-EMC-C H24BPR HOOD, DIAGONAL LOCKING, SIDE ENTRY M32, POWDER COATED, SILVER WHITE H24BPR对角锁定侧出壳M32 银白色	M32
T1910241129-009	H24BPR-TSH-PG29-EMC-C H24BPR HOOD, DIAGONAL LOCKING, SIDE ENTRY PG29, POWDER COATED, SILVER WHITE H24BPR对角锁定侧出壳PG29 银白色	PG29
T1910241125-009	H24BPR-TSH-M25-EMC-C H24BPR HOOD, DIAGONAL LOCKING, SIDE ENTRY M25, POWDER COATED, SILVER WHITE H24BPR对角锁定侧出壳M25 银白色	M25
T1910241121-009	H24BPR-TSH-PG21-EMC-C H24BPR HOOD, DIAGONAL LOCKING, SIDE ENTRY PG21, POWDER COATED, SILVER WHITE H24BPR对角锁定侧出壳PG21 银白色	PG21
T1910240140-009	H24BPR-TSH-M40-EMC-C H24BPR HOOD, DIAGONAL LOCKING, SIDE ENTRY M40, POWDER COATED, BLACK H24BPR对角锁定侧出壳M40 黑色	M40
T1910240136-009	H24BPR-TSH-PG36-EMC-C H24BPR HOOD, DIAGONAL LOCKING, SIDE ENTRY PG36, POWDER COATED, BLACK H24BPR对角锁定侧出壳PG36 黑色	PG36
T1910240132-009	H24BPR-TSH-M32-EMC-C H24BPR HOOD, DIAGONAL LOCKING, SIDE ENTRY M32, POWDER COATED, BLACK H24BPR对角锁定侧出壳M32 黑色	M32
T1910240129-009	H24BPR-TSH-PG29-EMC-C H24BPR HOOD, DIAGONAL LOCKING, SIDE ENTRY PG29, POWDER COATED, BLACK H24BPR对角锁定侧出壳PG29 黑色	PG29
T1910240125-009	H24BPR-TSH-M25-EMC-C H24BPR HOOD, DIAGONAL LOCKING, SIDE ENTRY M25, POWDER COATED, BLACK H24BPR对角锁定侧出壳M25 黑色	M25
T1910240121-009	H24BPR-TSH-PG21-EMC-C H24BPR HOOD, DIAGONAL LOCKING, SIDE ENTRY PG21, POWDER COATED, BLACK H24BPR对角锁定侧出壳PG21 黑色	PG21

THIS DRAWING IS A CONTROLLED DOCUMENT. DWN DAVID WANG 26AUG2016
 CHK CHRIS WANG 26AUG2016
 APVD XIANG XU 26AUG2016

STE TE Connectivity

NAME: H24BPR-TSH-PG/M-EMC-C

PRODUCT SPEC: 108-137191
 APPLICATION SPEC: 114-137191

SIZE: A1 CAGE CODE: - DRAWING NO: C-T191024XXXXX09 RESTRICTED TO: -
 WEIGHT: - SCALE: 1:1 SHEET: 1 OF 1 REV: B

CUSTOMER DRAWING

Printed on 7 Jun 2021 15:30 (China Standard Time) from T1910241136